

Cinderella[®]

 Made in Norway

CINDERELLA TRAVEL

Model Cinderella Travel



Cinderella Travel Owner's Manual

English, Norsk, Svenska, Suomi, Deutsch, Français, Español

CONTENTS

Safety	3
Gas in caravan/motor homes.....	3
General information about safety in Cinderella Travel.....	3
Technical information	4
Description	4
How the toilet works	6
Use (operation)	6
Before use	6
Using the toilet	6
General information about the use of Cinderella Travel	6
Emptying the ash container	7
Winter use	8
Light signals.....	8
Maintenance	9
Cleaning the ash container.....	9
Cleaning the bowl.....	9
Cleaning the catalytic converter.....	10
Troubleshooting	11
Resetting the thermal switch	12
Warranty	13

SAFETY

READ INSTRUCTIONS CAREFULLY! PLEASE KEEP THIS OWNER'S MANUAL FOR FUTURE USE.

GAS IN CARAVAN/MOTOR HOMES

Use and storage of gas requires caution. Check bottle, hoses, tubes and attachments before use.

People live in close proximity on campsites and use combustible materials, stoves, grills and other sources of ignition. Therefore, it is recommended that you familiarize yourself with the campsite's safety rules and make sure you have a working smoke detector and fire extinguisher in your caravan.

Propane tanks should always be upright and must never be exposed to abnormal heat or strong solar heat. Be aware of potential propane leaks. Remember that propane is heavier than air. In the event of leakage, the gas will therefore remain at floor level inside the vehicle. Gas leaks can make air explosive and can be ignited by open flames, smouldering tobacco or an electric spark.

Find leaks by brushing soapy water onto hoses and pipe fittings. When you open up for the gas, bubbles will form where the gas is leaking. If a leak is identified, the gas supply must be shut off. Do not use the toilet until the leak has been fixed.

Turn off the gas at the tank when the unit is not in use, and remember to disconnect the regulator during long periods of absence.

It is recommended that you install a gas detector in the housing unit if one has not already been fitted.

The vehicle can be driven while the toilet is incinerating. For safety, we recommend installing a gas pressure regulator with crash sensor close to the gas bottle or gas tank.

Always keep the gas appliance in good condition, but do not attempt to repair any damage or defects yourself.

In the event of a fault, contact your supplier.

GENERAL INFORMATION ABOUT SAFETY IN CINDERELLA TRAVEL

Cinderella Travel is equipped with various safety features:

- The gas supply is always shut off via an electronically controlled valve when the toilet is not in incineration mode.
- The system monitors the incineration and a flame sensor detects whether there is fire in the burner. If the burner fails to ignite, the gas supply will be shut off and an alarm will be triggered using sound and lights.
- The flame sensor shuts off the gas supply if the flame goes out due to blow-back in the burner or an imbalance in the gas/air ratio.
- The flap in the bowl and hatch to the incineration chamber will not open until the toilet lid is closed. This prevents access to the incineration chamber.
- The incineration is shut off when the toilet lid is open.
- If the temperature inside the toilet chamber becomes too high, the thermal switch is released and incineration is halted. The thermal switch must be reset manually before the toilet can be used again. See section on troubleshooting.
- The outer shell of the toilet is made of a fire-retardant composite material.
- Incineration is disabled if the ash container is not in the correct position.
- The fan in the toilet is programmed to run until the temperature inside the incineration chamber has cooled down sufficiently.
- The incineration chamber and exhaust pipe are insulated with material capable of withstanding high temperatures.
- All toilets are tested prior to distribution.

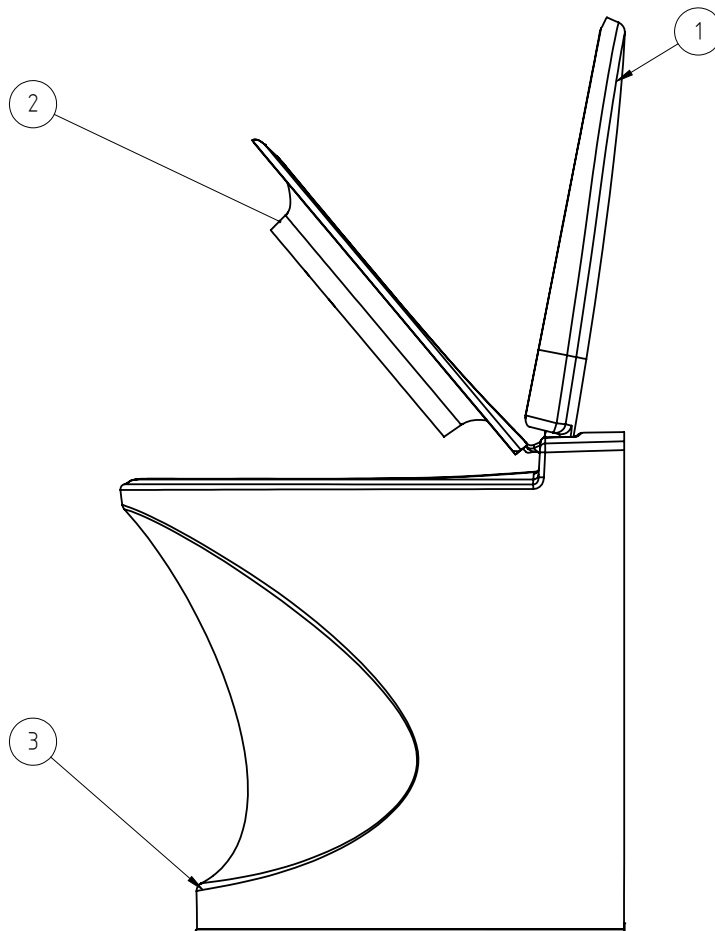
TECHNICAL INFORMATION

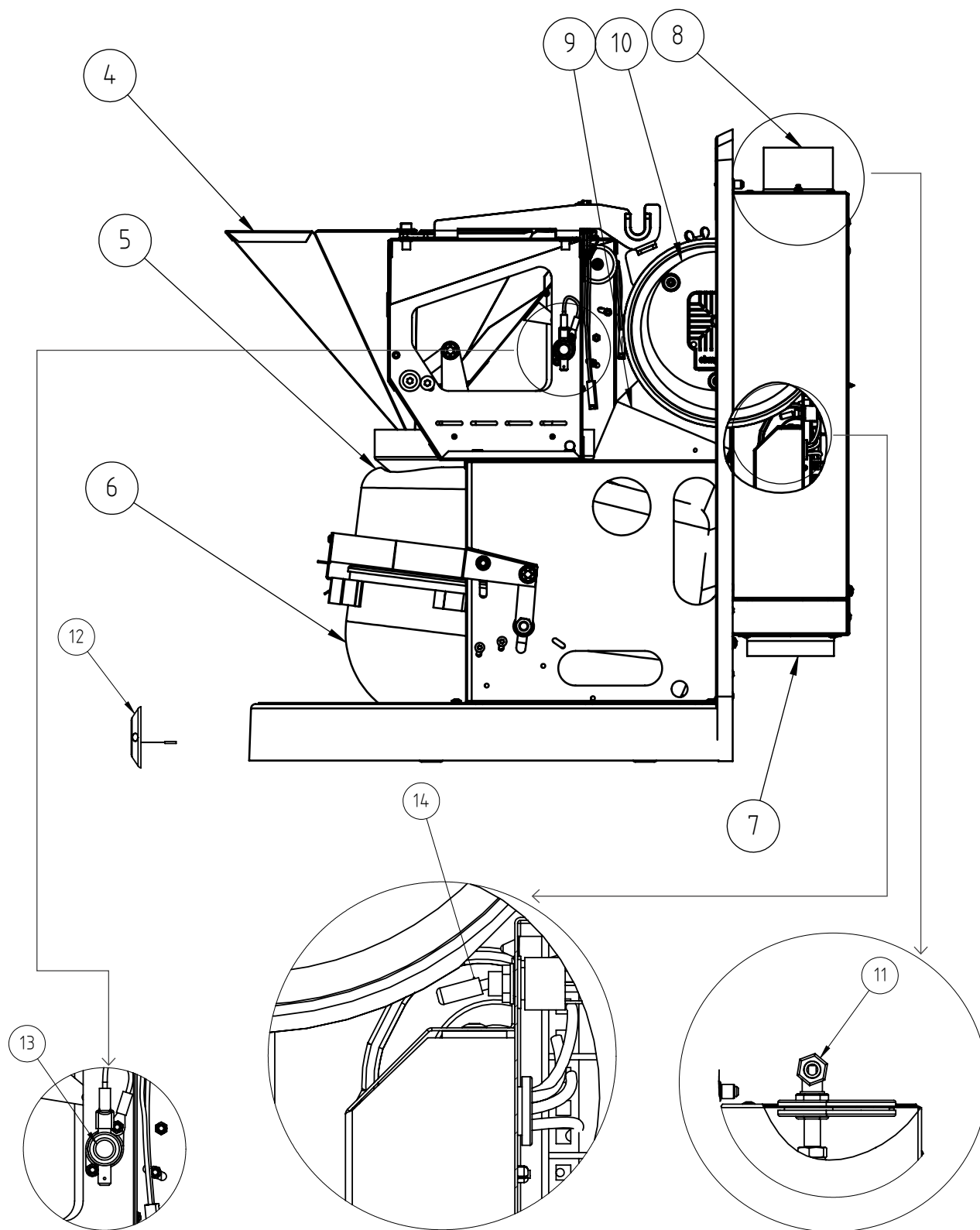
Weight	20 kg
Height	540 mm
Seat height	490 mm
With	390 mm
Depth	590
Capacity	3-4 visits per hour
Standby Power Consumption	0.005 Amp
Peak load	4.0 Amp
Power consumption (incineration)	1.3 Amp
Gas consumption	140-180 g per incineration
Exhaust fan	12V DC
Gas	Propane (30 mBar pressure)
Electrical power supply	12V DC / 4 Amp (11-14.4V)
Maximum burner effect	2,7 kWh

WARNING!

Do not use the toilet more frequently than the maximum capacity indicated. This will lead to the incineration chamber overflowing, smelling or leaking and can cause damage to the toilet.

DESCRIPTION





1	Lid	8	Exhaust
2	Seat	9	Catalytic converter
3	Shell	10	Fan
4	Bowl	11	Gas connection
5	Incineration chamber	12	Control panel
6	Ash container	13	High temperature protection
7	Air inlet	14	Main power switch

HOW THE TOILET WORKS

When the toilet visit is over, the bowl liner with its contents is released into the incineration chamber. High heat and air are added causing the liquid to evaporate and the remaining waste is burnt and turned into ash. Residual heat and fumes are emitted via the exhaust pipe. A catalytic converter prevents unpleasant odours.

USE (OPERATION)

BEFORE USE

1. Make sure the power supply is connected.
2. Make sure the propane is connected.
3. Use only propane / LPG.

USING THE TOILET

1. Lift up the lid and the seat. The red light flashes and the green light is illuminated. The exhaust fan will start automatically.
2. Place the bowl liner inside the bowl, ensuring that the liner's seam is in line with the "seam" of the bowl. Remember to use a new bowl liner for each visit (Illustration 1).
3. Put the seat down. The toilet is ready for use (Illustration 2).
4. Use the toilet. For small amounts of waste, add a cup of water to make the liner heavy enough to slide down into the incineration chamber.
5. Close the toilet lid.
6. Press the start button (Illustration 3). When the hatch closes, the incineration begins. The toilet is then ready for use again.
7. A yellow light on the control panel indicates that incineration is in progress. The light will illuminate throughout the duration of the incineration process.

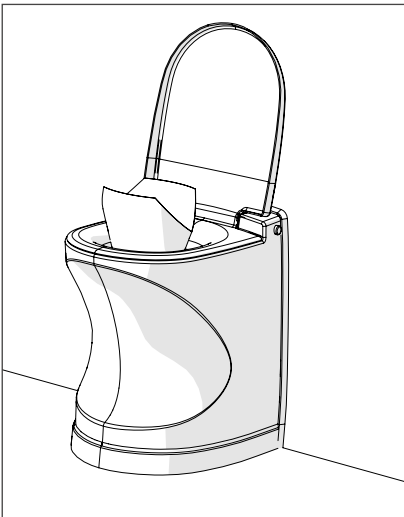


Illustration 1

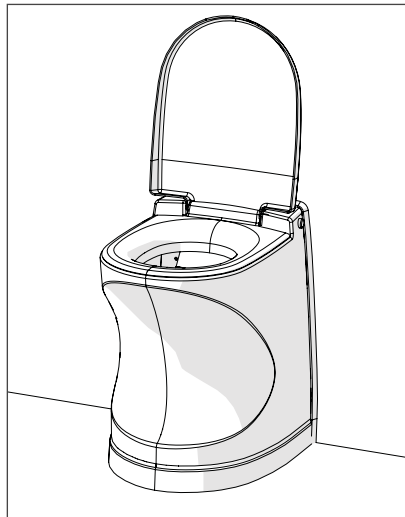


Illustration 2

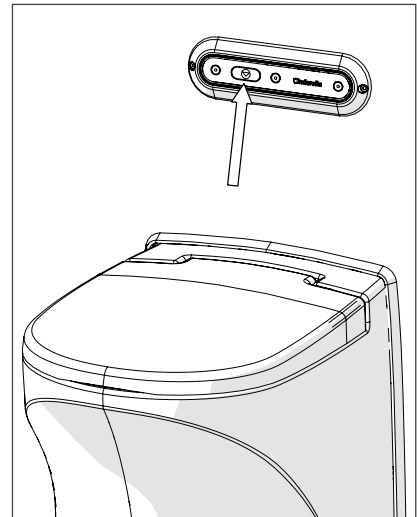


Illustration 3

GENERAL INFORMATION ABOUT THE USE OF CINDERELLA TRAVEL

Make sure the ash container is in the correct position.

1. Always place a bowl liner in the bowl before use.
The toilet lid must always be closed when the toilet is not in use.
2. Incineration cannot commence until the lid is down in closed position.
3. If the lid is opened, any active incineration will stop. The toilet is then ready for use. After each visit, the incineration is re-started by pressing the start button on the control panel. The toilet will automatically detect when the incineration has finished.
4. The yellow light on the control panel switches off when the incineration ends. The fan stops when the temperature in the incineration chamber has cooled down sufficiently (1–1.5 hours after incineration ends).

EMPTYING THE ASH CONTAINER

It is recommended that you empty the ash container once a week or when the signal (alternating yellow and red flashing lights on the control panel) to empty it appears after approximately 70 incineration cycles.

1. Wait until the toilet has cooled down and the fan has stopped. Do not turn the 12V power off.
2. Pull the toilet's shell out from its connection to the rear wall. To assist you in pulling the shell, hook your fingers around the "buttons" (Illustration 4).
3. The shell will automatically move out and up with the help of the inside lifting mechanism, and then remain in the service position.
4. Loosen the locking spring and lift the latch at the front of the ash container (Illustration 5).
5. Pull out the ash container. Remove the insert from the ash container and empty out the ash (Illustration 6).
6. Clean off any urine salts and burnt-on residue from the insert. Read how to clean the insert in the most effective way in the section on "Maintenance".
7. Place the insert back in the ash container.
8. Push the ash container all the way in so that it can be locked into position.
9. Pull the latch back into position and click the ash container into place.
10. Lower the shell by pressing both hands against the back part of the top of the toilet lid (Illustration 7). Make sure that the frame in the toilet wall (the white trim) surrounds the edge of the shell.

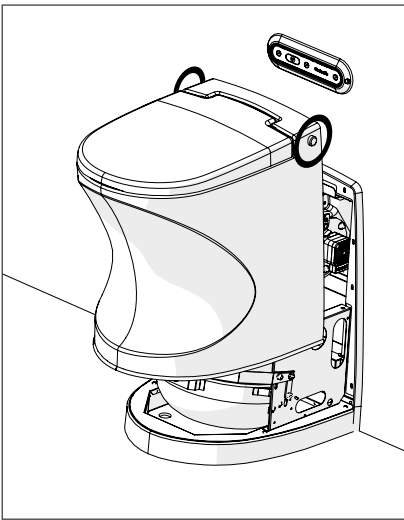


Illustration 4

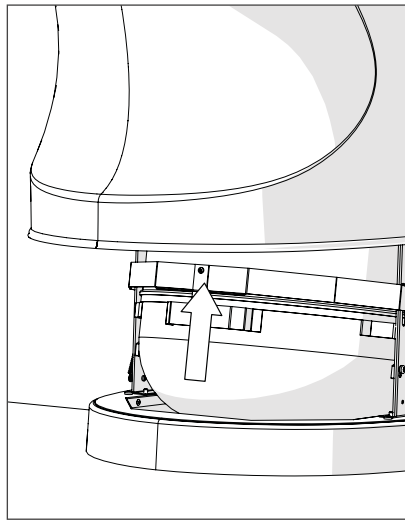


Illustration 5

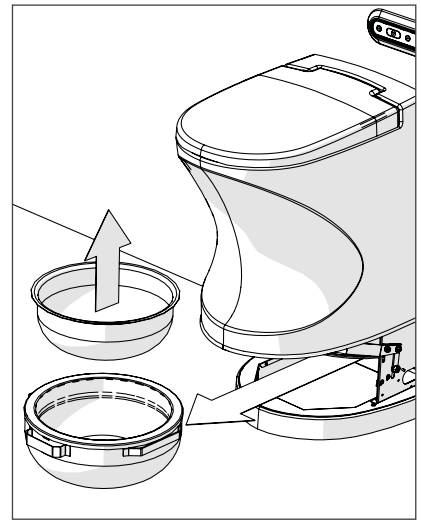


Illustration 6

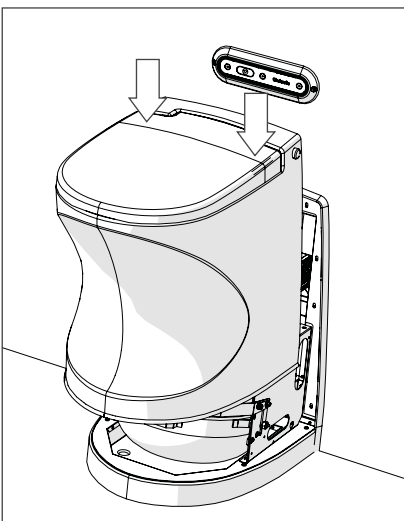


Illustration 7

NOTICE!

The ash remains are clean and devoid of bacteria and pathogens. They can normally be emptied as household waste. There may be restrictions in certain countries, however, so please familiarize yourself with the relevant regulations in the country you are localized in and dispose of the ash accordingly.

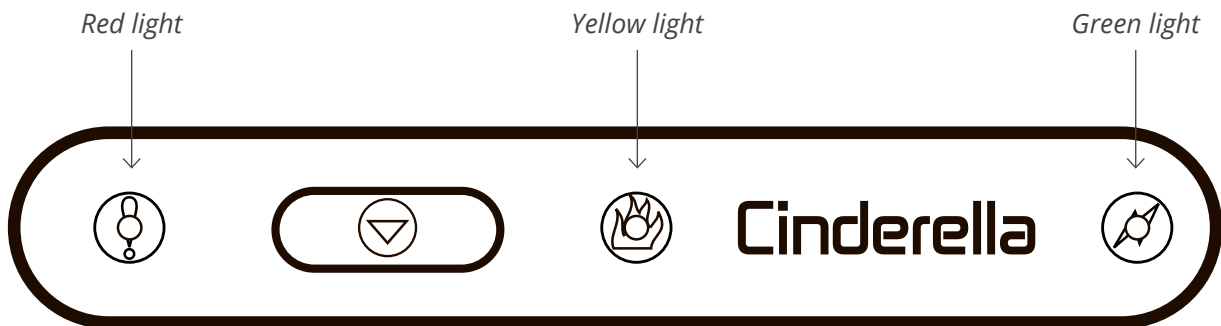
WINTER USE

In the event that the unit will be used in an area where snow is likely to build up on the roof of your motor home/caravan, please use the exhaust extension provided. This will ensure that the exhaust does not get blocked with snow, which would reduce air circulation and impair incineration.

NOTE! Remember to remove the extender during transport.

LIGHT SIGNALS

There are three lights on the control panel: red, yellow and green. When one of these lights is on, it either indicates which operating mode the toilet is in or highlights an error (see separate section about troubleshooting).



LIGHT TYPE	LIGHT SIGNAL	STATUS
● Green light	Light stays on	Toilet connected to 12 V power
● Yellow light	Light stays on	Incineration in progress. Incineration will stop if the toilet lid is opened, and the toilet is then ready for use.
● Red light	Flashing	Toilet lid is open.
● ● Red and yellow light	Flashes alternately	It is recommended that you empty the ash container.

MAINTENANCE

Cinderella operates in an extreme environment, with high temperatures, acids and exhaust fumes. This results in the need for preventive maintenance of the ash container, pipes, fan and catalytic converter. It is recommended that you use an authorized caravan workshop to carry out maintenance in connection with regular servicing of the caravan/motor home.

HOWEVER, MOST OF THE MAINTAINANCE YOU CAN DO YOURSELF:

CLEANING THE ASH CONTAINER



- The ash container must only be emptied and cleaned when the toilet has cooled down sufficiently.
- Do not use detergents containing chlorine or other abrasive contents, as this can corrode the insert and damage the catalytic converter.

To be carried out every time you empty the ash container (see description on page 7).

1. Remove the ash container.
2. Remove the insert from the ash container and empty out the ash.
3. Pour warm water into the insert to dissolve burnt-on residue and urine salts. Leave the water to stand for one hour.
4. Pour out the water and brush off any residue from the insert. Do not scrape with any metal items as this can damage the surface.

CLEANING THE BOWL



- The toilet must have cooled down.
- Do not use detergents containing chlorine or other abrasive contents.
- Do not use any utensils that could scratch the metal surface on the bowl.

To be carried out as needed or after every third time the ash container is emptied.

1. Open the toilet lid. Press and hold down the start button until the hatch to the bowl opens.
2. The hatch to the bowl will remain open until the toilet lid is closed again. A safety function ensures that the hatch can only be placed in the open position when the toilet has cooled down sufficiently.
3. Clean the bowl with a soft cloth (Illustration 8). Alternatively, you can use paper towels and then drop them into the incineration chamber after cleaning. When finished, close the toilet lid. The hatch to the incineration chamber will then close.

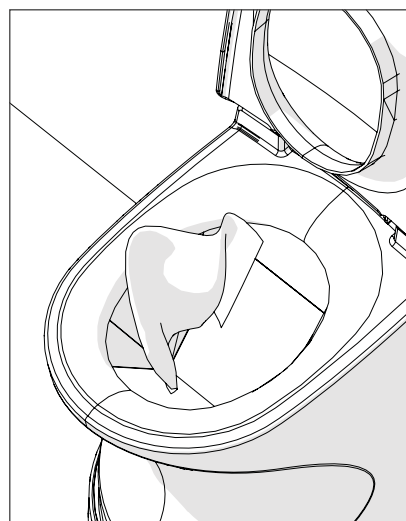


Illustration 8

CLEANING THE CATALYTIC CONVERTER

To be carried out if you suspect poor incineration or a cycle of 30 days' use has been completed.

1. Wait for the toilet to cool down and the fan to stop.
2. Pull the toilet shell out from the rear wall. The shell will automatically move out and up with the help of a inside lifting mechanism and remain in the service position.
3. Lift the shell completely off the lifting mechanism (Illustration 9).
4. Loosen the screw on the fan cover (Illustration 10).
5. Remove the fan cover. Loosen it from the retaining screw by turning it slightly backwards. Then lift it out (Illustration 11).
6. Remove the catalyst pipe with the catalytic converter (Illustration 12).
7. Rinse the catalytic converter in warm water (Illustration 13).
8. Reassemble the parts in reverse order. Make sure that the catalyst pipe is put in the same position as it was before disassembly.
9. Place the toilet chamber back onto the lifting mechanism.
10. Run a dry incineration cycle (by pressing the start button) to dry out the catalytic converter.

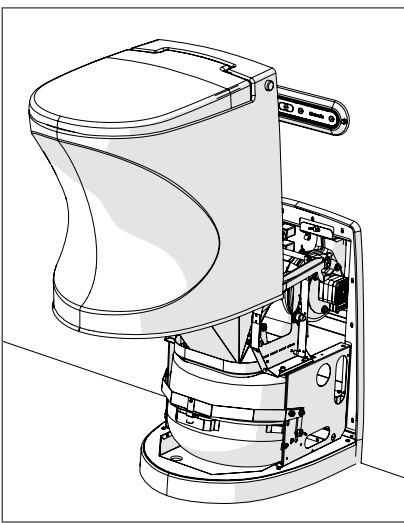


Illustration 9

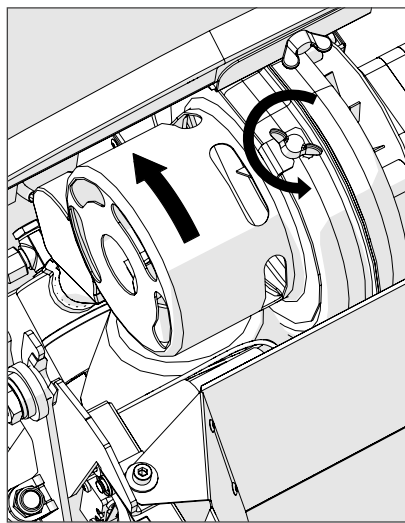


Illustration 10

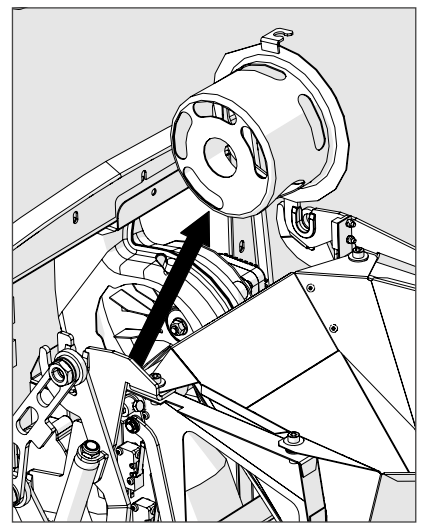


Illustration 11

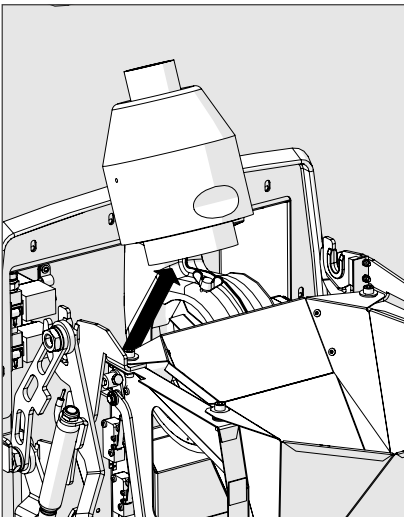


Illustration 12

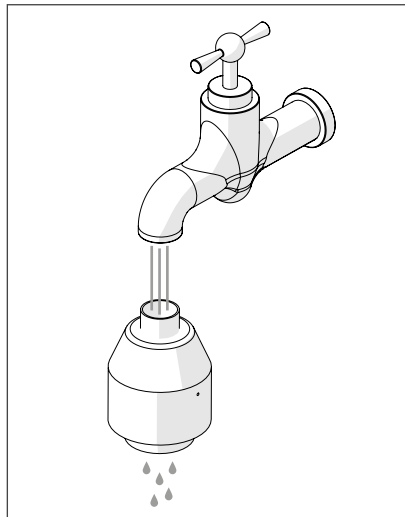


Illustration 13

TROUBLESHOOTING

Error	● Red light	● Yellow light	● Green light	Sound signal	Remedy
Problem with exhaust fan.	Flashing		Flashing	10 beeps	<ol style="list-style-type: none"> 1. Reset the toilet. 2. Open and close the toilet lid. 3. Start incineration. 4. If error recurs, contact dealer/service.
Problem with gas fan.	Flashing	Flashing	Flashing	10 beeps	<ol style="list-style-type: none"> 1. Reset the toilet. 2. Open and close the toilet lid. 3. Start incineration. 4. If error recurs, contact dealer/service.
Problem with gas burner after 3 attempts to ignite it.		Flashing		Continuous beeps	<ol style="list-style-type: none"> 1. Check that the gas is connected. 2. Connect it if necessary and reset the toilet. 3. Reset the thermal switch if needed. 4. Open and close the toilet lid. 5. Start incineration. 6. If error recurs, contact dealer/service.
Hatch is jammed.	Flashing			10 beeps	<p>When toilet is warm:</p> <ol style="list-style-type: none"> 1. Press the start button multiple times without inserting a new bowl liner. 2. Open the lid after each attempt. If this does not work, wait for the toilet to cool down (fan has stopped). <p>When toilet is cold:</p> <ol style="list-style-type: none"> 1. Open the toilet lid and press start. The lid opens. 2. Remove the cause of the blockage.
Ash container is not in correct position.	Flashing	Flashing		3 beeps	Place ash container into correct position.
Error in the temperature sensor		Flashing	Flashing	Continuous	Try to reset the toilet. If this does not work, contact workshop or dealer.
Thermal switch released.		Flashing		Continuous	Reset thermal switch (see separate section).
The ash container is full. The toilet is disabled for use.	Illuminated	Illuminated		Continuous	Empty and clean ash container.
No lights, no sound.					Check that the caravan's/motor home's main switch is on. Check that 12 V voltage is connected.
Burnt smell outside caravan/motor home.					Clean catalytic converter. Ensure that the exhaust pipe is open.
Low voltage < 11.0 V.			Flashing		Resolve the error on the 12 V supply from the car/caravan.
Minimum allowed voltage < 10.5 V. The gas supply is shut off.			Flashing (after 1.5 min)	10 beeps, recurrent	Resolve the error on the 12 V supply from the motor home/caravan.
Critically low voltage. Immediate shut-down.				10 beeps	Resolve the error on the 12 V supply from the motor home/caravan.



NOTICE!

Reset the toilet by holding the start button down for 8 seconds. You can release the button when you hear a long beep.

RESETTING THE THERMAL SWITCH

If the temperature in the chamber becomes too high, a thermal switch will be released. To reset it, stand in front of the toilet and pull the toilet shell out from the rear wall. The thermal switch is on the right side (Illustration 14). Press the button. When you hear and feel a click (tactile feedback), the thermal switch has been reset. If there is no tactile feedback, there are other reasons for the yellow light.

SERVICE

Cinderella Travel operates in an acidic environment and the incineration chamber reaches high temperatures. A service will therefore be required at some point. Remember that preventive maintenance will delay the need for a service significantly.

If the toilet requires a service, contact your dealership and provide the serial number of your toilet so that the workshop is aware of the model and which spare parts may be required to repair your toilet. Please visit www.cinderellaeco.com for a list of our service workshops.

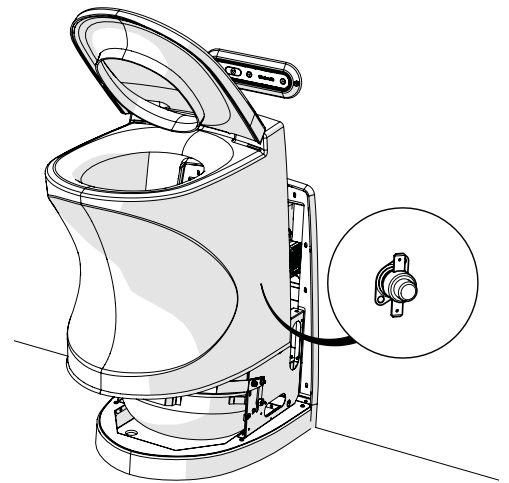
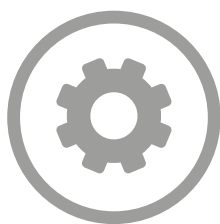


Illustration 14

WARRANTY



What does this Warranty cover?

This warranty covers defects in materials or workmanship in your Cinderella Travel Incineration Toilet on the terms, for the period and subject to the exceptions set out below.

What does this Warranty not cover?

This warranty does not cover normal wear and tear, or damage caused by accidents, force majeure, abuse, misuse, failure to follow manufacturer directions or improper maintenance. Consequential and incidental damages are not recoverable under this warranty. Cinderella Eco Group does not apply an "on-site" warranty. This means that the toilet must be transported to an authorized dealer who can do the service. If this is not possible, a transport cost may be charged by the dealer.

How long does the Warranty apply?

This warranty lasts for a period of three (3) years from the original date of purchase.

How do I arrange a service?

To arrange a service, contact your motorhome/caravan dealer or visit an Authorised Service Provider. Available service options are dependent upon the country in which service is requested.

You may be required to furnish proof of purchase details when making a claim under this warranty. For further warranty information, please refer to our web page: www.cinderellaeco.com

Cinderella Eco Group

Sjøvikvegen 67
NO-6475 Midsund
Norway
www.cinderellaeco.com

INNHold

Sikkerhet	15
Gass i caravan/bobil	15
Generelt om sikkerhet i Cinderella Travel	15
Tekniske opplysninger	16
Beskrivelse	16
Slik fungerer toalettet	18
Bruk (drift)	18
Før bruk.....	18
Bruk av toalettet	18
Generell informasjon om bruk av Cinderella Travel	18
Tømming av askeskuff	19
Vinterbruk.....	20
Lyssignaler	20
Vedlikehold	21
Rengjøring av askeskuff	21
Rengjøring av toalettskål	21
Rengjøring av katalysator	22
Feilsøking	23
Tilbakestilling av temperaturvakten	24
Garanti	25

SIKKERHET

LES DISSE INSTRUKSENE GRUNDIG! TA VARE PÅ DENNE BRUKERHÅNDBOKEN FOR FREMTIDIG BRUK.

GASS I CAMPINGVOGN/BOBIL

Bruk og oppbevaring av gass krever forsiktighet. Kontroller flaske, slanger, rør og koblinger før bruk.

På campingplasser bor man tett, og det brukes brennbare materialer, kokeapparater, griller og andre tennkilder. Derfor anbefales det at du gjør deg kjent med campingplassens sikkerhetsregler og sørger for at du har fungerende røykvarsler og brannslukker i campingvognen eller bobilen.

Propanbeholdere skal alltid stå oppreist, og må aldri utsettes for unormal oppvarming eller sterk solvarme. Vær oppmerksom på mulige propanlekkasjer. Husk at propan er tyngre enn luft. Ved lekkasje vil gassen derfor bli liggende ved gulvet i campingvognen/bobilen. Gasslekkasjer kan gjøre luften eksplosjonsfarlig og kan antennes av åpen ild, glødende tobakk eller en elektrisk gnist.

Du kan finne en eventuell lekkasje ved å pensle såpevann på slanger og rørforbindelser. Når du åpner for gassen, danner det seg såpebobler på lekkasjestedet. Hvis det er påvist lekkasje, må gasstilførselen stenges. Toalettet må ikke brukes før lekkasjen er utbedret.

Steng for gassen ved beholderen når apparatet ikke er i bruk, og husk å koble fra regulatoren ved lengre tids fravær.

Det anbefales at du installerer en gassdetektor i boenheten hvis det ikke er montert en allerede.

Bilen eller campingvognen kan kjøres mens toalettet forbrenner. Av hensyn til sikkerheten anbefaler vi å installere en gasstrykkregulator med kollisjonssensor nær gassflasken eller gasstanken.

Hold alltid gassanlegg i god stand, men prøv ikke selv å reparere skader eller defekter som oppstår.

Kontakt leverandøren ved en eventuell feil.

GENERELT OM SIKKERHET I CINDERELLA TRAVEL

Cinderella Travel er utstyrt med flere sikkerhetsfunksjoner:

- Gasstilførselen er alltid stengt via en elektronisk styrt ventil når toalettet ikke er i forbrenningsmodus.
- Systemet overvåker forbrenningen, og en flammevakt registrerer om det er fyr i brenneren. Hvis tenning mislykkes, kuttet gasstilførselen, og alarm med lyd og lyssignal utløses.
- Flammevakten stenger gasstilførselen hvis flammen slukker på grunn av tilbakeblåsing i brenneren eller ved feil blandingsforhold mellom gass og luft.
- Klaffen i poseskålen og luken til brennkammeret åpnes ikke før toalettlokket er lukket. Dette hindrer tilgang til brennkammeret.
- Hvis toalettlokket åpnes, avbrytes forbrenningen.
- Hvis temperaturen i toalettkammeret blir for høy, utløses temperaturvakten, og forbrenningen stanses. Temperaturvakten må tilbakestilles manuelt før toalettet kan brukes igjen. Se avsnittet om feilsøking.
- Toalettets kabinett er produsert i et brannhemmende komposittmateriale.
- Forbrenning vil ikke starte dersom askeskuffen er i feil posisjon.
- Avtrekksviften i toalettet går helt til brennkammeret er tilstrekkelig avkjølt.
- Brennkammeret og utluftingsslangen/eksosslangen er isolert med materiale som tåler høye temperaturer.
- Alle toaletter er testet før de sendes ut på markedet

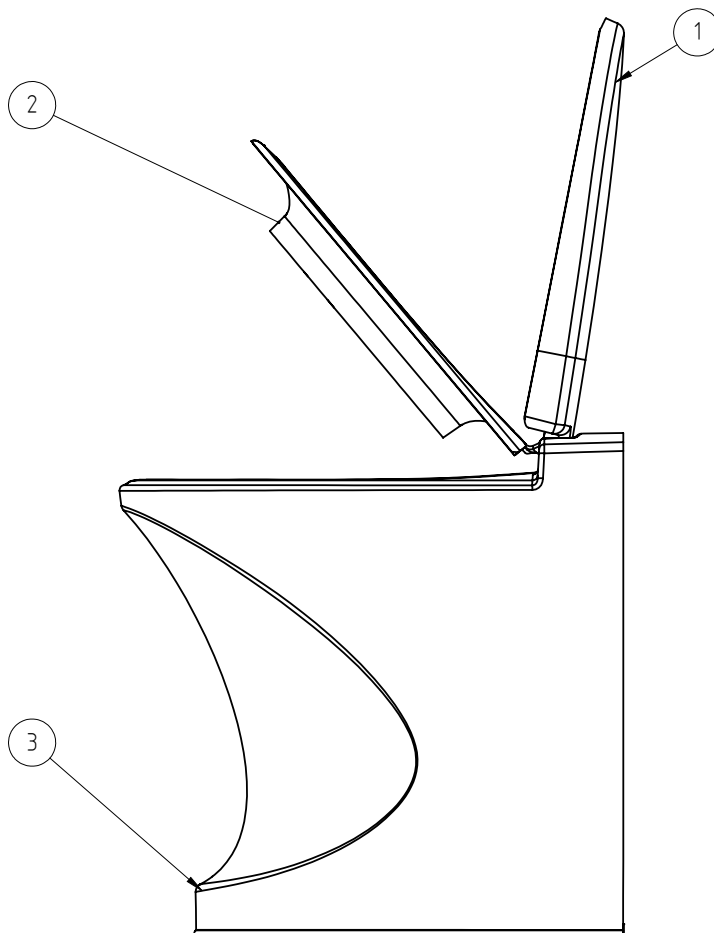
TEKNISKE OPPLYSNINGER

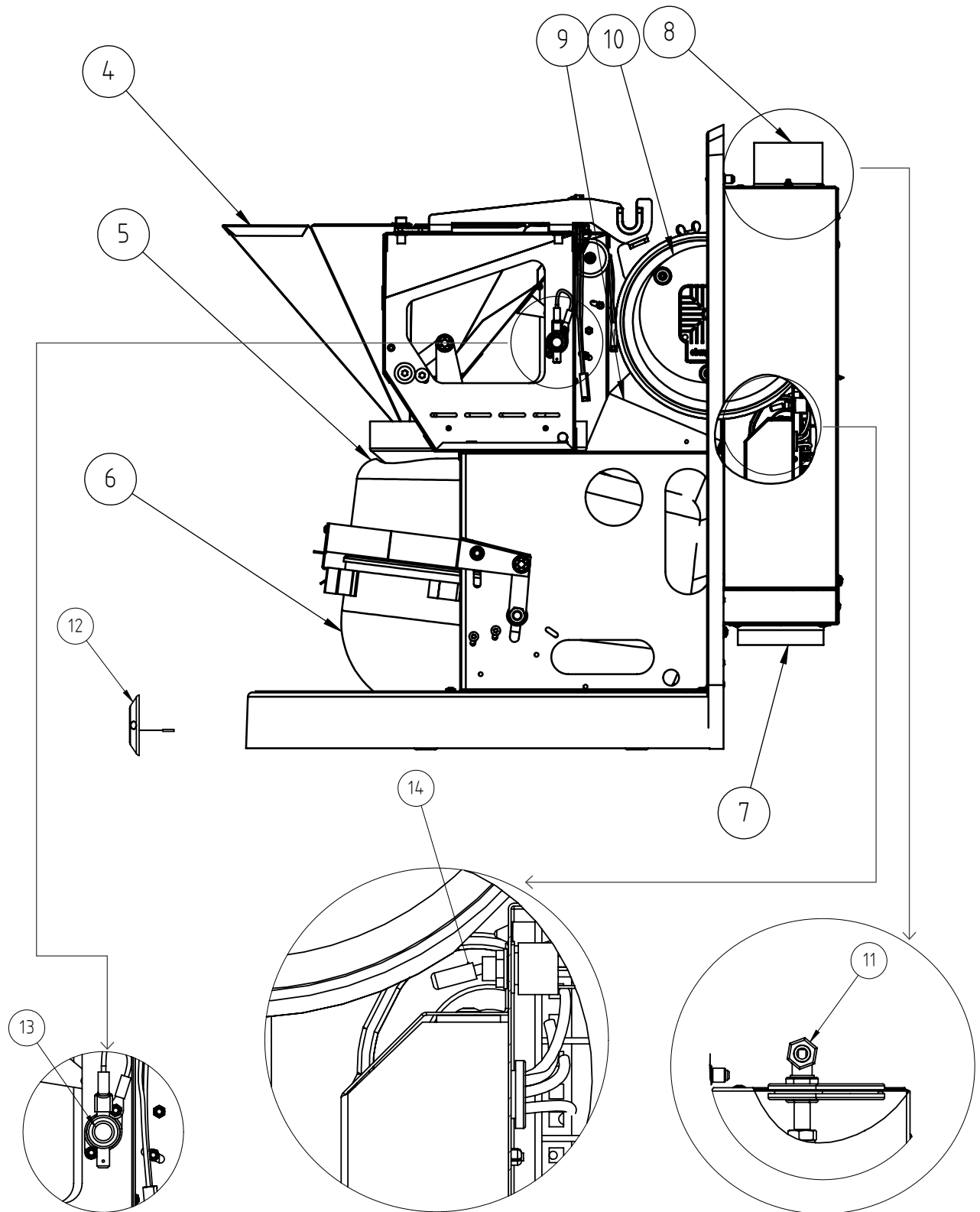
Vekt	20 kg
Høyde	540 mm
Sittehøyde	490 mm
Bredde	390 mm
Dybde	590
Kapasitet	3-4 besøk i timen
Strømforbruk i standby	0.005 Amp
Maks strømtrekk	4.0 Amp
Strømforbruk under forbrenning	1.3 Amp
Gassforbruk	140-180 g pr forbrenning
Avtrekksvifte	12V DC
Gass	Propan (30 mBar trykk)
Strømtilførsel	12V DC / 4 Amp (11-14.4V)
Maks brennereffekt	2,7 kWh

ADVARSEL!

Ikke bruk toalettet oftere enn oppgitt kapasitetsbegrensning. Dette vil medføre at brennkammeret blir overfylt, det kan oppstå lukt eller lekkasje, og toalettet kan ta skade.

BESKRIVELSE





1	Lokk	8	Avgass
2	Sete	9	Katalysator
3	Kabinett	10	Vifte
4	Skål	11	Gasstilkobling
5	Brennkammer	12	Kontrollpanel
6	Askeskuff	13	Temperaturvakt
7	Luftinntak	14	Hovedstrømbryter

SLIK FUNGERER TOALETET

Når toalettbesøket er avsluttet, slippes toalettposen med innhold ned i brennkammeret. Der tilføres høy varme og luft slik at væsken fordamper og restavfallet brennes opp og blir til aske. Restvarme og røykgasser ledes ut gjennom eksosrøret. En katalysator forhindrer ubehagelig lukt.

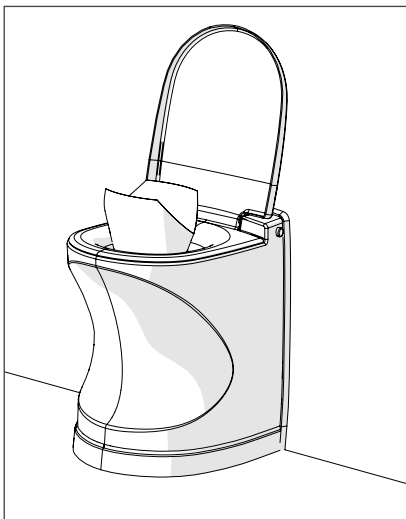
BRUK (DRIFT)

FØR BRUK

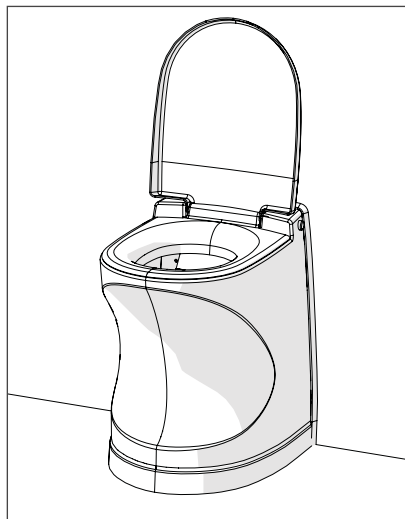
1. Pass på at strømforsyningen er tilkoblet.
2. Påse at propan er tilkoblet.
3. Bruk bare propan (LPG).

BRUK AV TOALETET

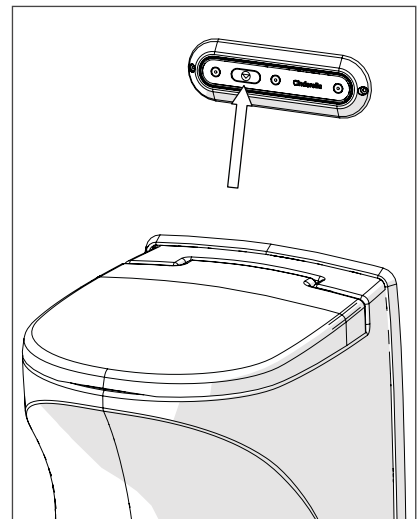
1. Løft opp både lokket og setet. Det røde lyset blinker, og det grønne lyset tennes. Avtrekksviften starter automatisk.
2. Plasser toalettposen i skålen og pass på at posens søm er på linje med «sømmen» i skålen. Husk å bruke en ny toalettpose for hvert besøk (illustrasjon 1).
3. Legg ned setet. Toalettet er klart til bruk (illustrasjon 2).
4. Bruk toalettet. For små mengder avføring tilsettes en kopp vann for å gjøre toalettposen tung nok til å gli ned i brennkammeret.
5. Lukk toalettlokket.
6. Trykk på startknappen (illustrasjon 3). Forbrenningsprosessen starter når luken stenges. Dermed er toalettet klart til bruk igjen.
7. Et gult lys på kontrollpanelet indikerer at forbrenning pågår. Lampen lyser under hele forbrenningsprosessen.



Illustrasjon 1



Illustrasjon 2



Illustrasjon 3

GENERELL INFORMASJON OM BRUK AV CINDERELLA TRAVEL

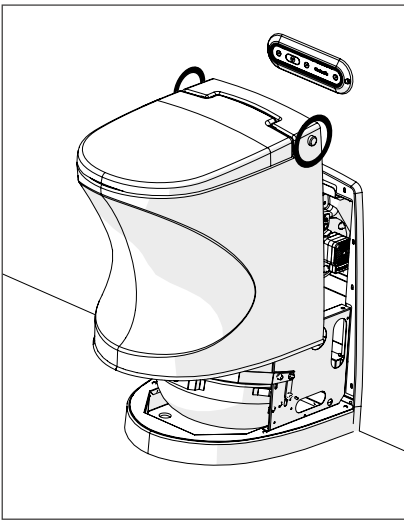
Pass på at askeskuffen er i riktig posisjon.

1. Legg alltid en toalettpose i poseskålen før bruk. Toalettlokket skal alltid være lukket når toalettet ikke er i bruk.
2. Forbrenningen kan ikke starte før lokket er lukket.
3. Hvis lokket åpnes under forbrenning, vil forbrenningen stanse. Toalettet er da klart til bruk. Trykk på startknappen på kontrollpanelet etter hvert besøk for å starte forbrenningen på nytt. Toalettet registrerer automatisk når forbrenningen er ferdig.
4. Når forbrenningen er avsluttet, slukkes det gule lyset på kontrollpanelet. Viften stopper når brennkammeret er tilstrekkelig avkjølt (1–1,5 timer etter avsluttet forbrenning).

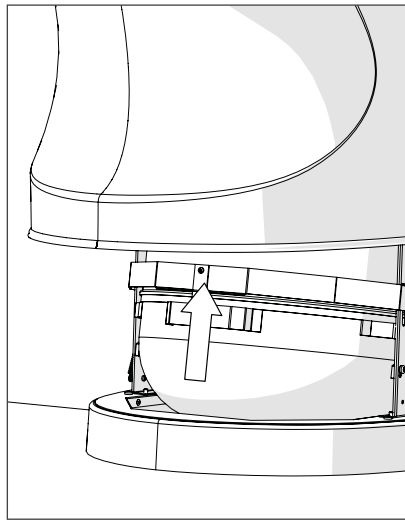
TØMMING AV ASKESKUFF

Vi anbefaler å tømme askeskuffen én gang i uken eller når signalet (vekselvis gult og rødt blinkende lys på kontrollpanelet) om tømming vises etter cirka 70 forbrenningscykluser.

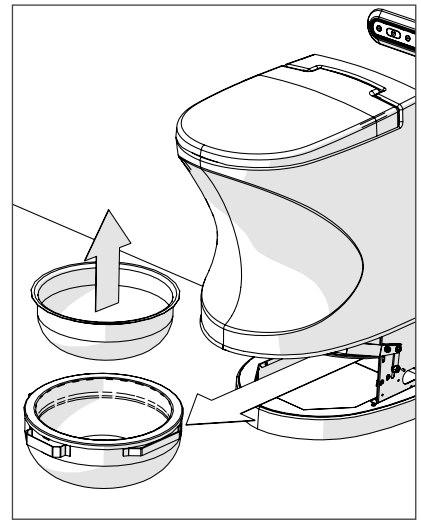
1. Vent til toalettet er avkjølt og viften har stoppet. Ikke slå av 12 V strømtilførselen.
2. Trekk toalettets kabinett ut fra koblingen til bakveggen. Legg fingrene rundt «knappene» (illustrasjon 4), så blir det lettere å trekke ut kabinettet.
3. Den innvendige løftmekanismen vil automatisk få kabinettet til å bevege seg ut og opp, slik at det blir stående i vedlikeholdsposisjon.
4. Løsne låsefjæren og løft opp låsebøylen foran askeskuffen (illustrasjon 5) .
5. Trekk ut askeskuffen. Ta innsatsen ut av askeskuffen og tøm den for aske (illustrasjon 6).
6. Rengjør innsatsen for urinsalter og fastbrente rester. Les om rengjøring av innsatsen under «Vedlikehold».
7. Sett innsatsen tilbake i askeskuffen.
8. Skyv askeskuffen helt inn slik at den kan låses på plass.
9. Trekk låsebøylen tilbake på plass og klikk fast askeskuffen.
10. Senk kabinettet ved å trykke med begge hender på den bakre delen av toalettlokket (illustrasjon 7). Påse at rammen i toalettveggen (den hvite listen) omslutter kanten av kabinettet.



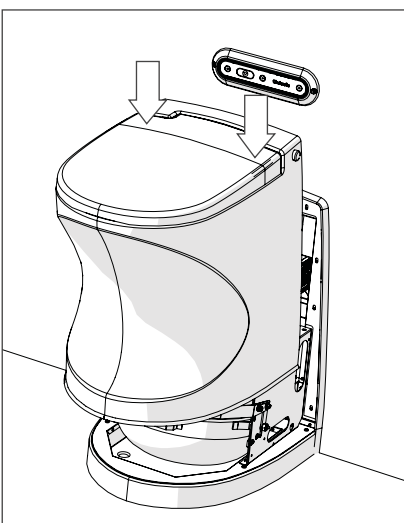
Illustrasjon 4



Illustrasjon 5



Illustrasjon 6



Illustrasjon 7



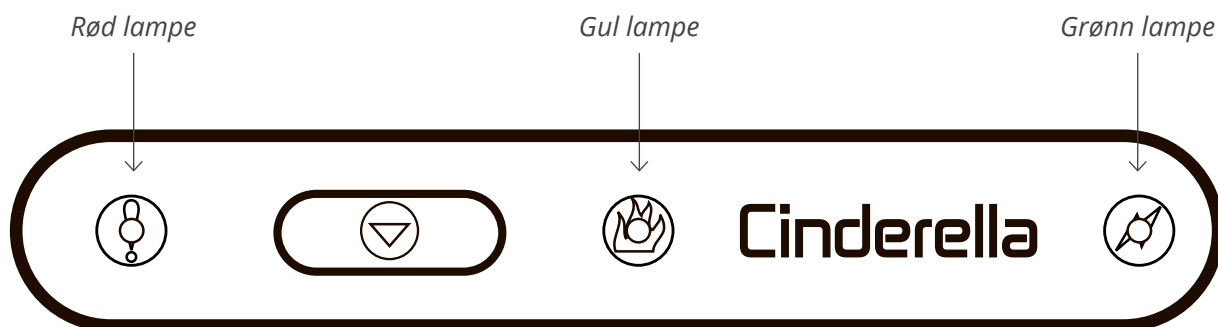
Askerestene er rene og inneholder ikke bakterier eller smittestoffer. De kan normalt kastes som husholdningsavfall. Restriksjoner kan imidlertid gjelde i enkelte land, så gjør deg kjent med og følg regelverket i det landet du oppholder deg i.

VINTERBRUK

Dersom enheten skal brukes i områder hvor det kan samle seg snø på taket av bobilen/ campingvognen, skal du benytte den medfølgende vinterforlengeren. Dette for å unngå at utluftsøret tettes av snø, noe som vil medføre redusert luftgjennomstrømning og dårlig forbrenning. Merk! Husk å demontere forlengeren under transport.

LYSSIGNALER

På kontrollpanelet er det tre lamper: én rød, én gul og én grønn. Når en av disse lampene er tent, indikerer det enten hvilken driftsmodus toalettet er i, eller at det er en feil på toalettet (se eget avsnitt om feilsøking).



TYPE LYS	LYSSIGNAL	STATUS
● Grønn lampe	Lyser kontinuerlig	Toalettet er koblet til 12 V strømforsyning
● Gul lampe	Lyser kontinuerlig	Forbrenning pågår. Hvis toalettlokket åpnes, stanser forbrenningen, og toalettet er klart til bruk.
● Rød lampe	Blinker	Toalettlokket er åpent.
● Rød og gul lampe	Blinker vekselvis	Det anbefales å tømme askeskuffen.

VEDLIKEHOLD

Cinderella opererer i et ekstremt miljø, med høye temperaturer, syrer og røykgasser. Dette medfører behov for forebyggende vedlikehold av askeskuff, rør, vifte og katalysator. Det anbefales å få service av toalettet på et godkjent caravanverksted i forbindelse med ordinær service på campingvognen eller bobilen.

MESTEPARTEN AV VEDLIKEHOLDET KAN DU IMIDLERTID UTFØRE SELV:

RENGJØRING AV ASKESKUFF



- Askeskuffen må bare tømmes og rengjøres når toalettet er tilstrekkelig nedkjølt.
- Ikke bruk vaskemidler som inneholder klor eller slipemidler, siden dette kan føre til rust på innsatsen og skade katalysatoren.

Utføres alltid ved tømming av askeskuff (se beskrivelse på side 19).

1. Ta ut askeskuffen.
2. Ta innsatsen ut av askeskuffen og tøm den for aske.
3. Hell varmt vann i innsatsen for å løse opp fastbrente rester og urinsalter. La vannet stå i én time.
4. Tøm ut vannet og børst ut eventuelle rester fra innsatsen. Ikke skrap med metallgjenstander, siden dette kan skade overflaten.

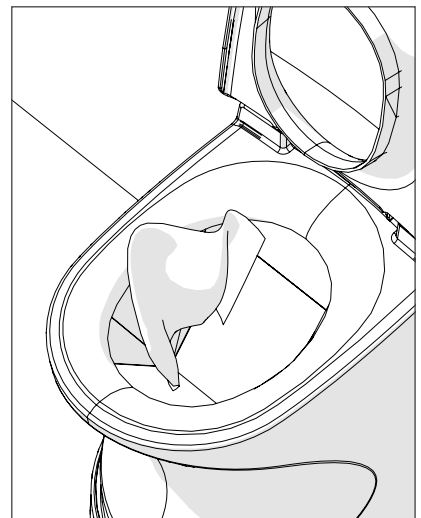
RENGJØRING AV POESKÅL



- Toalettet må være avkjølt.
- Ikke bruk vaskemidler som inneholder klor eller slipemidler.
- Ikke bruk redskaper som kan lage riper i metallet på poseskålen.

Utføres ved behov eller hver tredje gang askeskuffen tømmes.

1. Åpne toalettlokket. Hold startknappen nede til luken åpnes.
2. Luken i poseskålen vil stå i åpen stilling til toalettlokket lukkes igjen. En sikkerhetsfunksjon sørger for at luken bare kan settes i åpen stilling når toalettet er tilstrekkelig avkjølt.
3. Rengjør poseskålen med en myk klut (illustrasjon 8). Benytt eventuelt papirkluter som kan slippes ned i brennkammeret etter rengjøring. Lukk toalettlokket når du er ferdig. Da lukkes luken til brennkammeret.

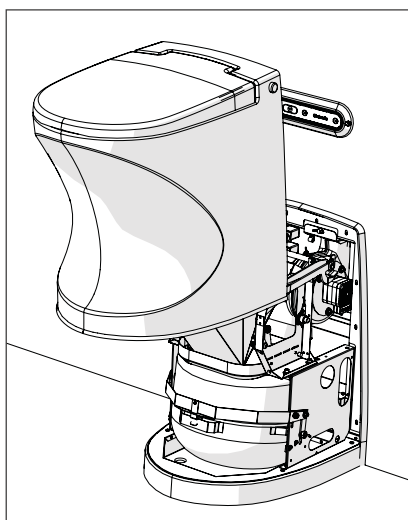


Illustrasjon 8

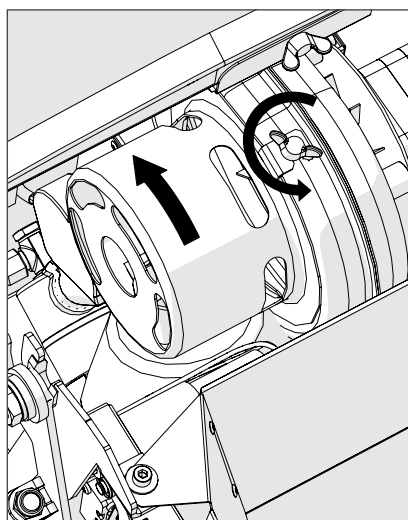
RENGJØRING AV KATALYSATOR

Utføres ved mistanke om dårlig forbrenning eller hver 30. bruksdag

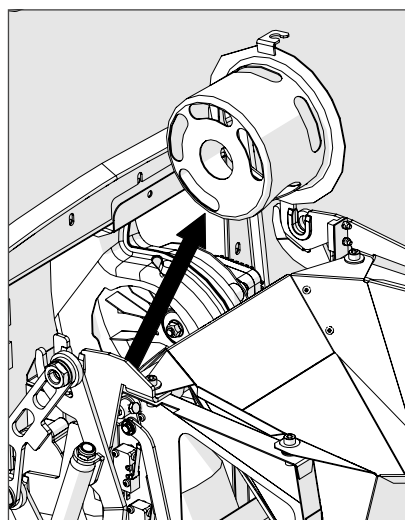
1. Vent til toalettet har kjølt seg ned og viften har stanset.
2. Trekk toalettets kabinett ut fra bakveggen. Den innvendige løftemekanismen vil automatisk få kabinettet til å bevege seg ut og opp, slik at det blir stående i vedlikeholdsposisjon.
3. Løft kabinettet helt av løftemekanismen (illustrasjon 9).
4. Løsne skruen på viftedekelet (illustrasjon 10).
5. Ta av viftedekelet. Frigjør det fra festeskruen ved å vri det litt bakoverog løft det ut (illustrasjon 11).
6. Ta ut katalysatorrøret med katalysatoren i (illustrasjon 12).
7. Skyll katalysatoren i varmt vann (illustrasjon 13).
8. Sett delene sammen i omvendt rekkefølge. Pass på at katalysatorrøret plasseres i samme posisjon som før demonteringen.
9. Sett kabinettet tilbake på løftemekanismen.
10. Kjør en tørr forbrenning (ved å trykke på startknappen) for å tørke katalysatoren.



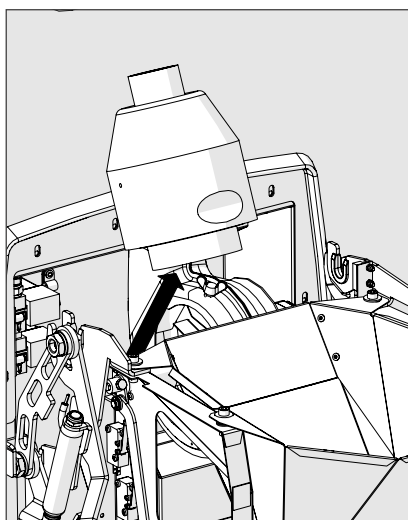
Illustrasjon 9



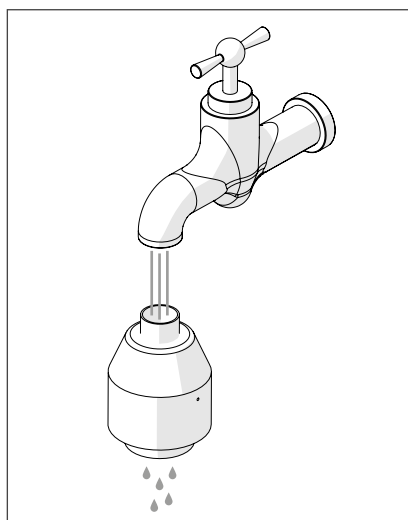
Illustrasjon 10



Illustrasjon 11



Illustrasjon 12



Illustrasjon 13

FEILSØKING

Feil	● Rød lampe	● Gul lampe	● Grønn lampe	Lydsignal	Tiltak
Feil på avtrekksvifte.	Blinker		Blinker	10 pip	<ol style="list-style-type: none"> 1. Nullstill toalettet. 2. Åpne og lukk toalettlokket. 3. Start forbrenning. 4. Ved gjentatt feil kontakt forhandler/service.
Feil på gassvifte.	Blinker	Blinker	Blinker	10 pip	<ol style="list-style-type: none"> 1. Nullstill toalettet 2. Åpne og lukk toalettlokket. 3. Start forbrenning. 4. Ved gjentatt feil kontakt forhandler/service.
Feil på gassbrenner etter 3 antenningsforsøk		Blinker		Kontinuerlig pip	<ol style="list-style-type: none"> 1. Sjekk at gassen er tilkoblet. 2. Koble den til om nødvendig og nullstill toalettet. 3. Tilbakestill temperaturvakten om nødvendig. 4. Åpne og lukk toalettlokket. 5. Start forbrenning. 6. Ved gjentatt feil kontakt forhandler/service.
Luken er fastkilt.	Blinker			10 pip	<p>Ved varmt toalett:</p> <ol style="list-style-type: none"> 1. Trykk flere ganger på startknappen uten å legge i en ny toalettpose. 2. Åpne lokket mellom hver gang. Hvis dette ikke fungerer, venter du til toalettet har kjølt seg ned (viften har stoppet). <p>Ved kaldt toalett:</p> <ol style="list-style-type: none"> 1. Åpne toalettlokket og trykk på startknappen. Luken åpnes. 2. Fjern gjenstanden / håndter årsaken som har fått luken til å kile seg fast.
Askeskuffen står i feil posisjon.	Blinker	Blinker		3 pip	Sett askeskuffen i riktig posisjon.
Feil på temperaturføler		Blinker	Blinker	Kontinuerlig	Forsøk å nullstille toalettet. Hvis dette ikke fungerer, kontakt serviceverksted eller forhandler.
Temperaturvakt utløst.		Blinker		Kontinuerlig	Tilbakestill temperaturvakten (se eget avsnitt).
Askeskuffen er full. Toalettet kan ikke brukes.	Lyser	Lyser		Kontinuerlig	Tøm og rengjør askeskuffen.
Ingen lys, ingen lyd.					Kontroller at campingvognens/bobilens hovedbryter er på. Kontroller at 12 V strømforsyningen er tilkoblet.
Brent lukt utenfor campingvogn/bobil.					Rens katalysatoren. Kontroller at utluftingsslangen/eksosslangen er åpen.
Lav spenning < 11,0 V.			Blinker		Utbedre feilen på 12 V strømforsyningen fra bobilen/campingvognen.
Laveste tillatte spenning = 10,5 V. Gasstilførsel er koblet ut.			Blinker (etter 1,5 min)	10 pip, gjentakende	Utbedre feilen på 12 V strømforsyningen fra bobilen/campingvognen
Kritisk lav spenning. Slå av øyeblikkelig.				10 pip	Utbedre feilen på 12 V strømforsyningen fra bobilen/campingvognen



Nullstill toalettet ved å holde startknappen ned i 8 sekunder. Slipp knappen etter at du har hørt et langt pip.

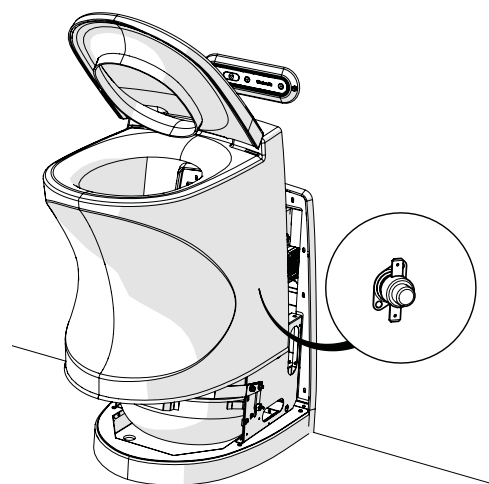
TILBAKESTILLING AV TEMPERATURVAKTEN

Dersom temperaturen i kammeret blir for høy, utløses en temperaturvakt. For å tilbakestille temperaturvakten stiller du deg foran toalettet og trekker kabinettet ut fra bakveggen. Temperaturvakten er plassert på høyre side (illustrasjon 14). Trykk på knappen. Når du hører og kjenner et klikk, er temperaturvakten tilbakestilt. Hvis det ikke kommer noe klikk, er det en annen grunn til at den gule lampen er tent.

SERVICE

Cinderella Travel fungerer i et surt miljø, og brennkammeret når høye temperaturer. Det vil derfor oppstå behov for service før eller senere. Husk at forebyggende vedlikehold vil utsette servicebehovet vesentlig.

Ved behov for service, ta kontakt med forhandleren og oppgi serienummeret på toalettet. Da kan verkstedet finne ut hvilken modell du har, og hvilke reservedeler som eventuelt må skaffes. På vårt nettsted www.cinderellaeco.com finner du en oversikt over serviceverksteder.



Illustrasjon 14

GARANTI



Hva dekkes av denne garantien?

Denne garantien dekker defekter i materialer eller utførelse i ditt Cinderella Travel forbrenningstolett, på de betingelsene, i den perioden og med de unntakene som er beskrevet nedenfor.

Hva dekkes ikke av denne garantien?

Denne garantien dekker ikke normal slitasje eller skader som skyldes ulykke, force majeure, misbruk, feil bruk, unnlatelse av å følge produsentens anvisninger eller feil vedlikehold. Garantien dekker ikke følgeskader og tilfeldige skader. Cinderella Eco Group har ingen «på stedet»-garanti. Det betyr at toalettet må transporteres til en autorisert forhandler som kan utføre servicen. Hvis dette ikke er mulig, kan forhandleren fakturere en transportkostnad.

Hvor lenge gjelder garantien?

Denne garantien varer i en periode på tre (3) år fra den opprinnelige kjøpsdatoen.

Hvordan får jeg service?

Kontakt din bil-/campingvognforhandler eller oppsøk en autorisert serviceleverandør. Tilgjengelige servicealternativer avhenger av landet servicen ønskes utført i.

Det kan bli bedt om å fremlegge kjøpsbevis når du fremsetter et krav under denne garantien. Du finner mer informasjon om garantien på nettstedet vårt: www.cinderellaeco.com

Cinderella Eco Group

Sjøvikvegen 67
6475 Midsund
Norge
www.cinderellaeco.com

INNEHÅLL

Säkerhet	27
Gas i husvagn/husbil	27
Allmänt om säkerhet och Cinderella Travel	27
Teknisk information	28
Beskrivning	28
Så fungerar toaletten	30
Användning (funktion)	30
Före användning	30
Använda toaletten	30
Allmän information om Cinderella Travel	30
Tömning av askbehållare.....	31
Vinterbruk.....	32
Ljussignaler.....	32
Underhåll	33
Rengöring av askbehållare	33
Rengöring av påsskål.....	33
Rengöring av katalysator	34
Felsökning	35
Återställa temperaturvakt	36
Garanti	37

SÄKERHET

LÄS BRUKSANVISNINGEN NOGA! SPARA DEN FÖR FRAMTIDA REFERENS.

GAS I HUSVAGN/HUSBIL

Gas ska alltid hanteras och förvaras med aktsamhet. Kontrollera behållare, slangar, rör och kopplingar innan användning.

På campingplatser bor man tätt och folk använder brännbart material, spisar, grillar och andra antändningskällor. Du bör därför informera dig om campingplatsens säkerhetsregler och se till att det finns en fungerande brandvarnare och brandsläckare i husvagnen/husbilen.

Propanbehållare ska alltid stå upprätta och får aldrig utsättas för onormal värme eller starkt solsken. Var uppmärksam på eventuellt propanläckage. Tänk på att propan är tyngre än luft. Om det läcker lägger sig gasen därför längs golvet. Läckt gas kan medföra en explosionsrisk eftersom den kan antändas av öppen eld, glödande tobak eller gnistor.

Eventuella läckage kan hittas om man penslar såpvatten på slangar och rörkopplingar. Om det läcker någonstans bildas det bubblor där när gstrycket släpps på. Om läckage konstaterats ska gastillförseln stängas av. Toaletten får inte användas innan läckan åtgärdats.

Stäng av gasen vid behållaren när toaletten inte ska användas och kom ihåg att koppla bort regulatören vid längre tids frånvaro.

Rekommendationen är att installera en gasdetektor om en sådan inte redan finns på plats.

Fordonet kan köras medan förbränning pågår. Av säkerhetsskäl rekommenderar vi att det installeras en gastycksregulator med krocksensor på gasflaskan eller gasbehållaren.

Håll alltid gasanläggningen i gott skick, men försök inte själv att reparera skador eller defekter.

Kontakta leverantören om fel uppstår.

ALLMÄNT OM SÄKERHET OCH CINDERELLA TRAVEL

Cinderella Travel är utrustad med flera säkerhetsfunktioner:

- Gastillförseln är alltid avstängd via en elektroniskt styrd ventil när toaletten inte är inställd på förbränningsläge.
- Systemet övervakar förbränningen och en givare registrerar om det brinner i brännaren. Om antändningen inte lyckas strypps gastillförseln och det avges ett larm med ljud- och ljussignal.
- Gastillförseln strypps om lågan släcks inuti brännaren eller om det är fel blandningsförhållande mellan gas och luft.
- Klaffen i påsskålen och luckan till brännkammaren öppnas inte förrän toalettlocket stängts. Detta gör att det inte går att komma åt förbränningskammaren.
- Förbränningen avbryts när toalettlocket öppnas.
- Om det är för hög temperatur inne i toaletten löses temperaturvakten ut och förbränningen avbryts. Temperaturvakten måste återställas manuellt innan toaletten kan användas igen. Se avsnittet felsökning.
- Toalettens hölje är tillverkat av ett brandbeständigt kompositmaterial.
- Förbränningen startar inte om askbehållaren sitter i fel läge.
- Frånluftsfläkten går ända tills förbränningskammaren är tillräckligt avkyld.
- Brännkammaren och frånluftsroret är isolerade med material som tål höga temperaturer.
- Alla toaletter testas på fabriken innan leverans.

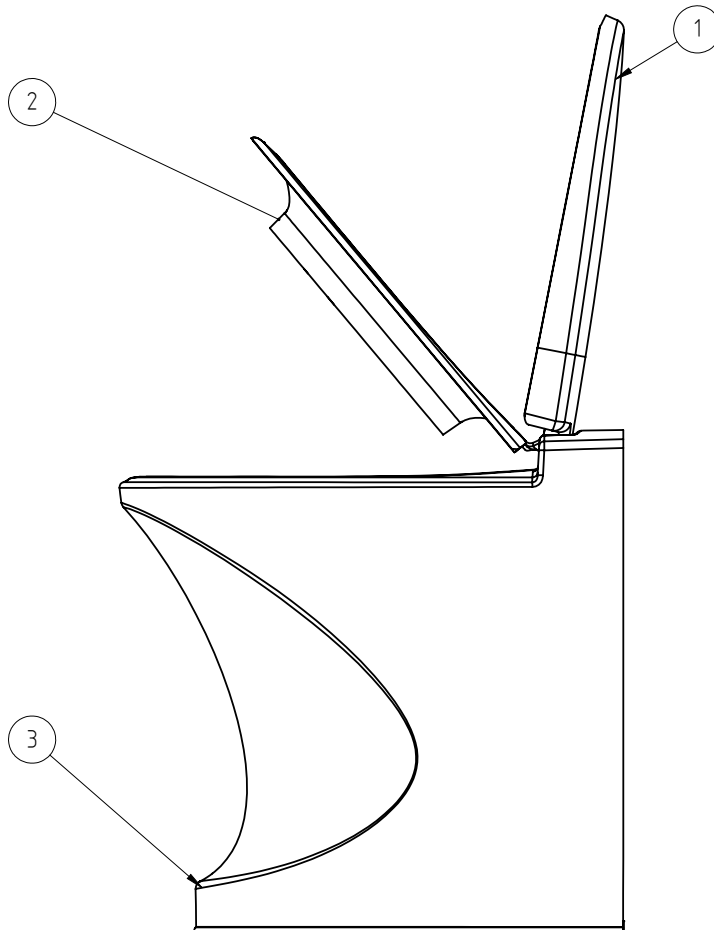
TEKNISK INFORMATION

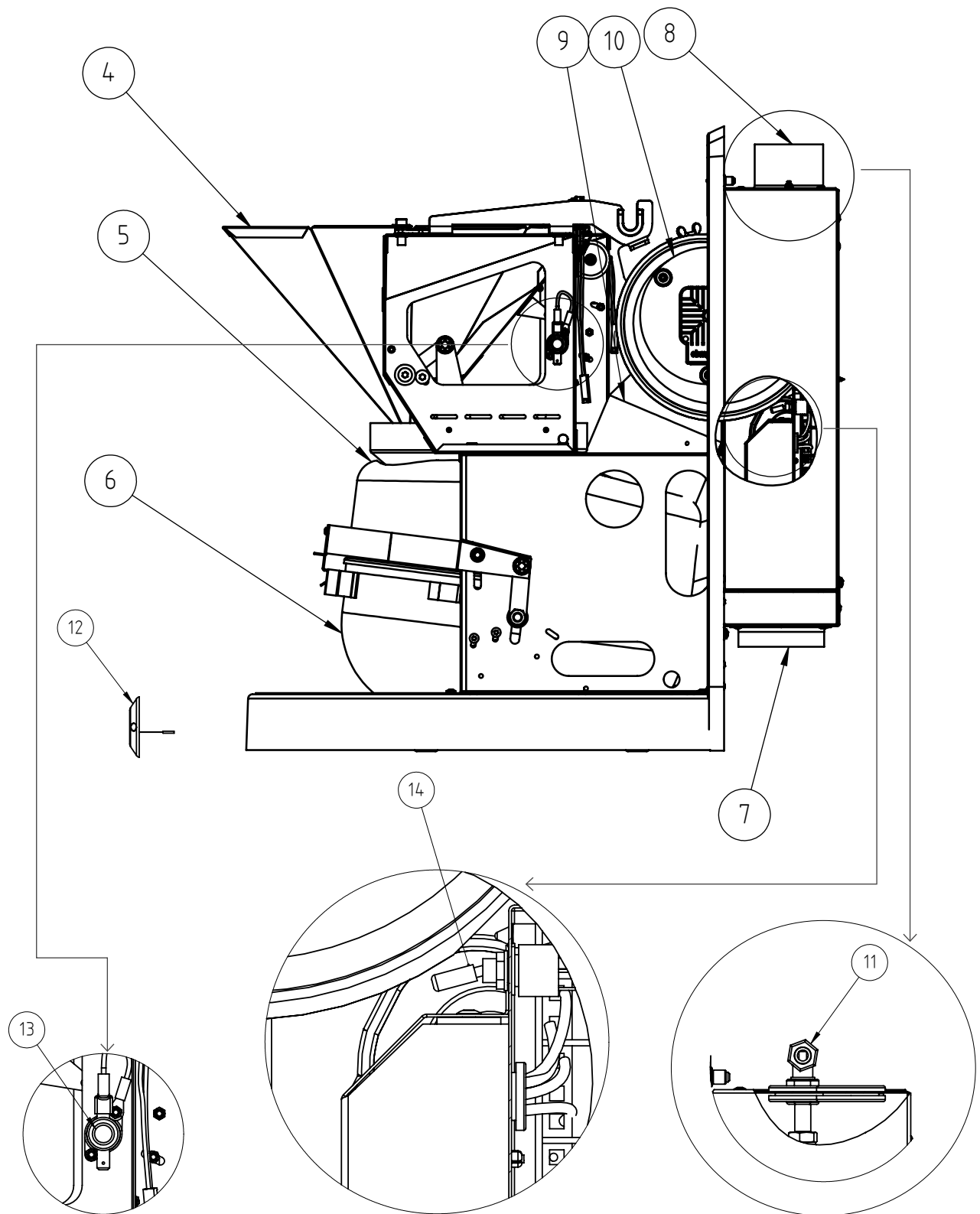
Vikt	20 kg
Höjd	540 mm
Sitthöjd	490 mm
Bredd	390 mm
Djup	590
Kapacitet	3-4 besök per timme
Strömförbrukning i standby	0.005 Amp
Maximal strömbelastning	4.0 Amp
Strömförbrukning under förbränning	1.3 Amp
Gasolförbrukning	140-180 g / förbränning
Frånluftfläkt	12V DC
Gasol	Propan (30 mBar tryck)
Strömtillförsel	12V DC / 4 Amp (11-14.4V)
Maximal brännareffekt	2,7 kWh

VARNING!

Använd inte toaletten oftare än vad den har kapacitet för. Risken är annars att förbränningskammaren blir överfylld, vilket kan orsaka lukt, läckage och toaletten kan ta skada.

BESKRIVNING





1	Lock	8	Frånluft
2	Sittring	9	Katalysator
3	Hölje	10	Fläkt
4	Skål	11	Gasanslutning
5	Förbränningskammare	12	Kontrollpanel
6	Askbehållare	13	Överhettningsskydd
7	Luftintag	14	Huvudströmbrytare

SÅ FUNGERAR TOALETTEN

När toalettbesöket är avslutat släpps påsen med innehåll ner i förbränningskammaren. Där tillförs hög värme och luft så att vätskan förångas och restavfallet bränns upp och blir till aska. Restvärme och frånluft leds ut genom frånluftsroret. En katalysator förhindrar att frånluften luktar illa.

ANVÄNDNING (FUNKTION)

FÖRE ANVÄNDNING

1. Se till att toaletten har strömförsörjning.
2. Se till att gasen är ansluten.
3. Använd endast propan/LPG.

ANVÄNDA TOALETTEN

1. Fäll upp både toalettlocket och sittringen. Det blinkar rött och lyser grönt. Frånluftsfläkten startar automatiskt.
2. Placera påsen i skålen och se till att påsens "söm" ligger längs skarven i skålen. Kom ihåg att ta en ny påse vid varje besök (bild 1).
3. Fäll ner sittringen. Toaletten är nu klar att användas (bild 2).
4. Använd toaletten. Vid små avfallsmängder kan du hålla en kopp vatten i påsen så att den blir tyngre och kan sjunka ner i förbränningskammaren.
5. Stäng toalettlocket.
6. Tryck på startknappen (bild 3). När luckan stängs startar förbränningen. Toaletten är redo för ett nytt besök.
7. Om det lyser gult på kontrollpanelen betyder det att förbränning pågår. Lampan lyser under hela förbränningen.

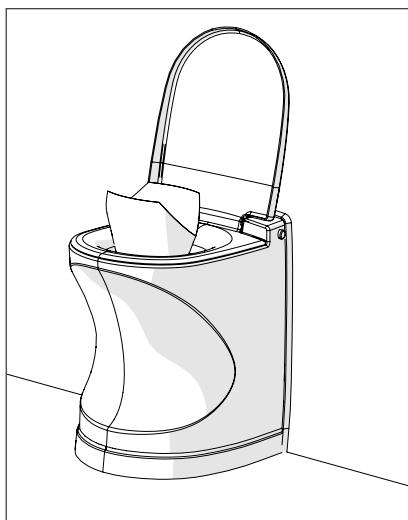


Bild 1

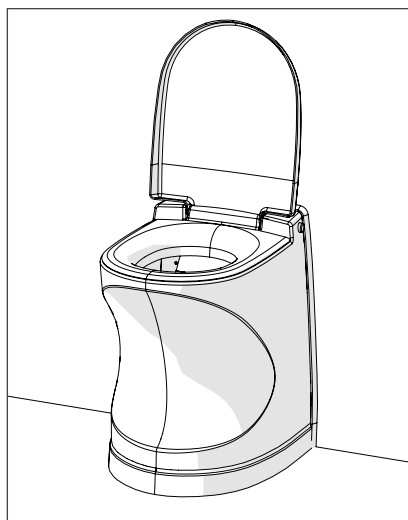


Bild 2

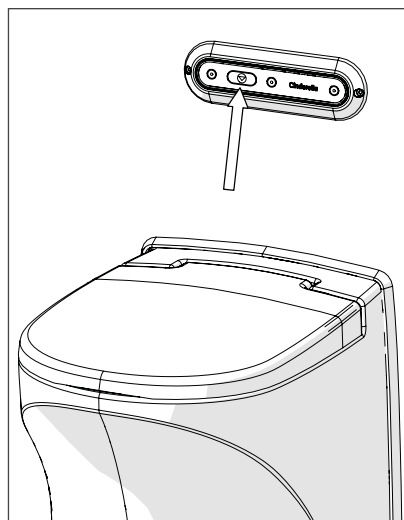


Bild 3

ALLMÄN INFORMATION OM CINDERELLA TRAVEL

Se till att askbehållaren sitter i rätt position.

1. Lägg alltid en påse i skålen innan användning. Toalettlocket ska alltid vara stängt när toaletten inte används.
2. Förbränningen kan inte starta förrän locket är i stängt läge.
3. Om locket öppnas kommer en eventuell pågående förbränning att avbrytas. Toaletten kan då användas. Efter varje besök startas en ny förbränning när startknappen på kontrollpanelen trycks in. Toaletten känner själv av när förbränningen är klar.
4. När förbränningen är klar släcks den gula lampan på kontrollpanelen. Fläkten stannar när temperaturen i förbränningskammaren sjunkit tillräckligt (1–1,5 timmar efter avslutad förbränning).

TÖMNING AV ASKBEHÅLLARE

Behållaren ska tömmas en gång i veckan eller när systemet säger till (det blinkar växelvis rött och gult på kontrollpanelen), vilket sker efter cirka 70 förbränningscykler.

1. Vänta tills toaletten är avkyld och fläkten har stannat. Stäng inte av 12 V-strömmen.
2. Dra ut toaletthöljet från fästet på bakre väggen. Det går enklare att dra ut höljet om du håller fingrarna runt "knopparna" (bild 4).
3. Höljet kommer automatiskt att röra sig utåt och uppåt med hjälp av den inbyggda lyftmekanismen och sedan stanna i serviceläge.
4. Lossa låsfjädern och lyft upp låsbygeln framför askbehållaren (bild 5).
5. Dra ut askbehållaren. Ta ut insatsen ur behållaren och töm ur askan (bild 6).
6. Rengör insatsen och avlägsna urinsalter och fastbrända rester. Läs om hur man bäst rengör insatsen i avsnittet "underhåll".
7. Sätt tillbaka insatsen i askbehållaren.
8. Skjut in askbehållaren helt så att den låses fast.
9. Tryck låsbygeln på plats och klicka fast askbehållaren.
10. Sänk ner toaletthöljet genom att trycka med båda händerna baktill på toalettlockets ovsida (bild 7). Se till att ramen (den vita listen) omsluter höljets kant.

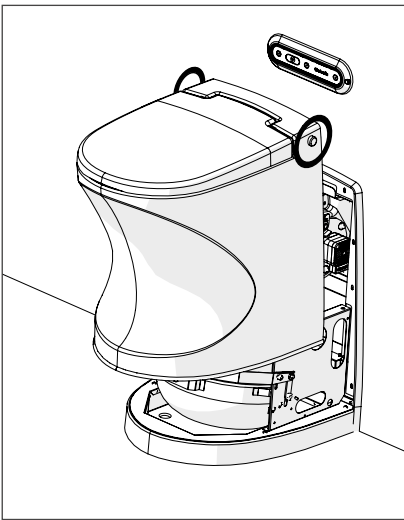


Bild 4

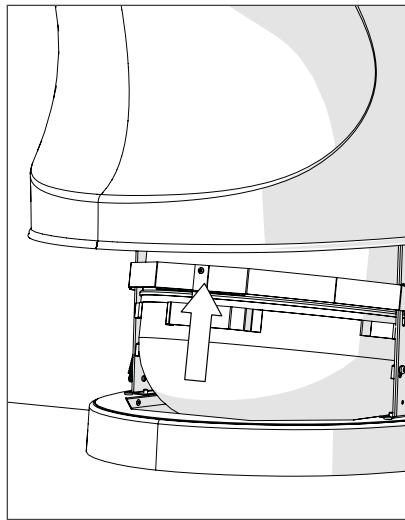


Bild 5

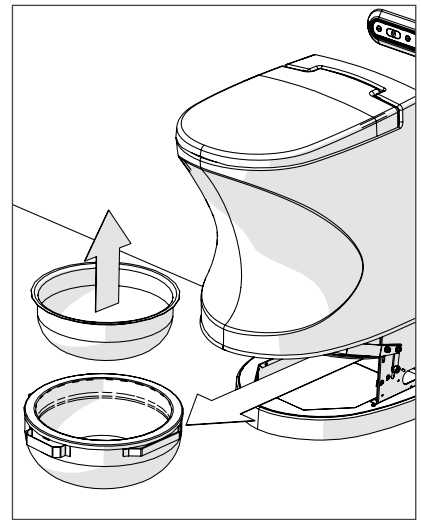


Bild 6

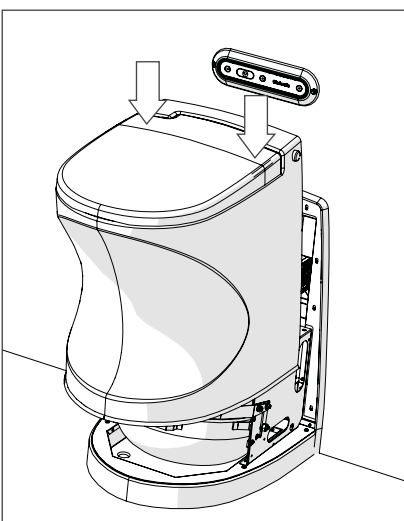


Bild 7



OBS!

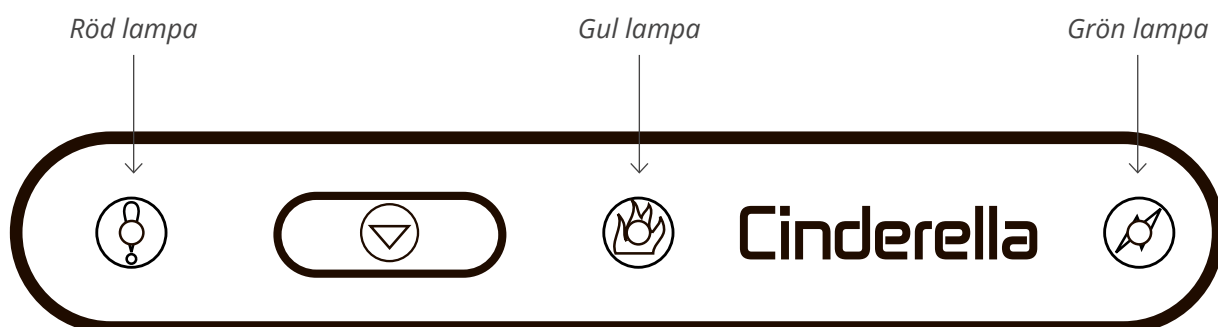
Den återstående askan är ren och fri från bakterier och patogener. Den kan vanligtvis tömmas i hushållsavfallet. I vissa länder kan det dock finnas restriktioner och du bör därför ta reda på vad som gäller i det land där du befinner dig och göra dig av med askan i enlighet med de lokala bestämmelserna.

VINTERBRUK

Om utrustningen ska användas på en plats där det är troligt att det lägger sig snö på husvagnens/-bilens tak ska den medföljande skorstensförlängaren användas. Detta för att undvika att frånluftsröret täpps till av snö, vilket medför minskad luftgenomströmning och dålig förbränning. OBS! Kom ihåg att ta bort förlängingen under transport.

LJUSSIGNALER

På kontrollpanelen finns tre lampor: röd, gul och grön. När de lyser visar de antingen vilket driftsläge toaletten är i eller så kan de indikera att det är något fel på toaletten (se avsnittet felsökning).



TYP AV LAMPA	LJUSSIGNAL	STATUS
● Grön lampa	Lampan lyser	Toaletten är ansluten till 12 V ström
● Gul lampa	Lampan lyser	Förbränning pågår. Om toalettlocket öppnas avbryts förbränningen och toaletten kan användas som vanligt.
● Röd lampa	Blinkar	Toalettlocket är öppet.
● Röd och gul lampa	Blinkar växelvis	Askbehållaren kan behöva tömmas.

UNDERHÅLL

Miljön inuti Cinderella är extrem med höga temperaturer, syror och avgasångor. Det innebär att bl.a. askbehållare, rör, fläkt och katalysator behöver underhållas i förebyggande syfte. Vi rekommenderar att det utförs underhåll av toaletten hos en auktoriserad verkstad i samband med att husvagnen/husbilen genomgår normal service.

DET MESTA AV UNDERHÅLLET KAN DU DOCK SKÖTA SJÄLV:

RENGÖRING AV ASKBEHÅLLARE



- Askbehållare får endast tömmas och rengöras när toaletten har svalnat.
- Klorbaserade eller slipande rengöringsmedel får inte användas eftersom insatsen då kan korrodera och katalysatorn skadas.

Utförs varje gång askbehållaren töms (se beskrivning på sid 31).

1. Ta ut askbehållaren.
2. Ta ut insatsen ur behållaren och töm ur askan.
3. Häll varmt vatten i insatsen för att lösa upp fastbrända rester och urinsalter. Låt den vattenfyllda insatsen stå i en timme.
4. Töm ut vattnet och borsta ur resterna. Skrapa inte med något metallföremål eftersom ytan då kan skadas.

RENGÖRING AV PÅSSKÅL



- Toaletten får inte vara varm.
- Använd inte rengöringsmedel som innehåller klorin eller slipmedel.
- Använd inte redskap som kan repa metallen i påsskålen.

Utförs vid behov eller efter var tredje tömning av askbehållaren.

1. Öppna toalettlocket. Håll in startknappen tills luckan öppnas.
2. Luckan i skålen kommer att vara öppen tills toalettlocket fälls ner igen. En säkerhetsfunktion gör att luckan bara kan ställas i öppet läge när toaletten är avkyld.
3. Rengör skålen med en mjuk trasa (bild 8). Det går också att använda papper som kan släppas ner i brännkammaren efter rengöring. Stäng sedan toalettlocket. Luckan till brännkammaren stängs.

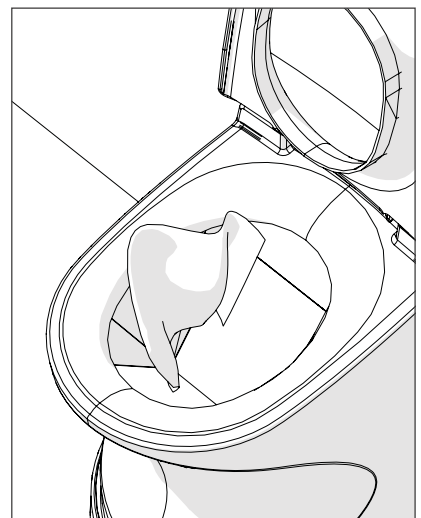


Bild 8

RENGÖRING AV KATALYSATOR

Utförs vid misstanke om dålig förbränning eller efter 30 dagars användning.

1. Vänta tills toaletten svalnat och fläkten stannat.
2. Dra ut toaletthöljet från den bakre väggen. Höljet kommer automatiskt att röra sig utåt och uppåt med hjälp av en inbyggd lyftmekanism och sedan stanna i serviceläge.
3. Lyft av toaletthöljet helt från lyftmekanismen (bild 9).
4. Lossa skruvarna från fläktanslutningen (bild 10).
5. Ta bort fläktanslutningen. Frigör den från fästskruven genom att vrida den något bakåt. Lyft sedan ut den (bild 11).
6. Ta ut katalysatorröret och katalysatorn (bild 12).
7. Skölj katalysatorn i varmt vatten (bild 13).
8. Sätt tillbaka delarna i omvänd ordning. Se till att katalysatorröret hamnar i samma läge som innan det demonterades.
9. Sätt tillbaka toalettstolen på lyftmekanismen.
10. Kör en torr förbränning (genom att trycka in startknappen) så att katalysatorn blir torr.

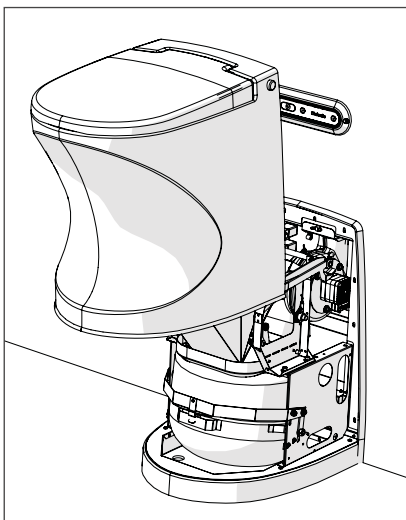


Bild 9

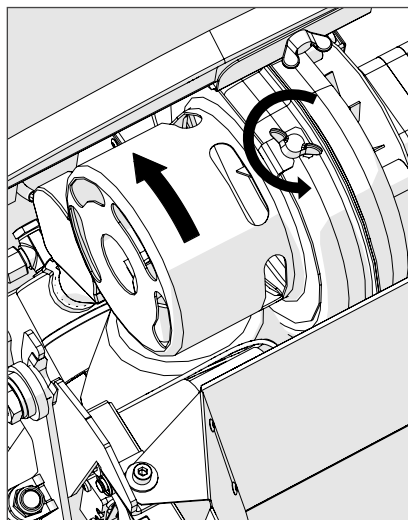


Bild 10

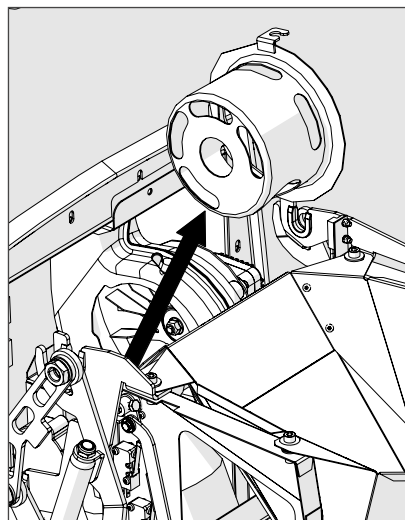


Bild 11

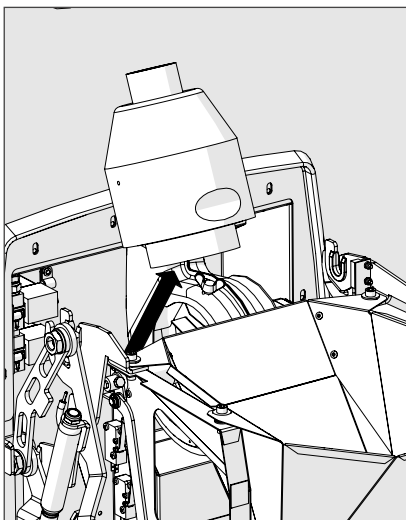


Bild 12

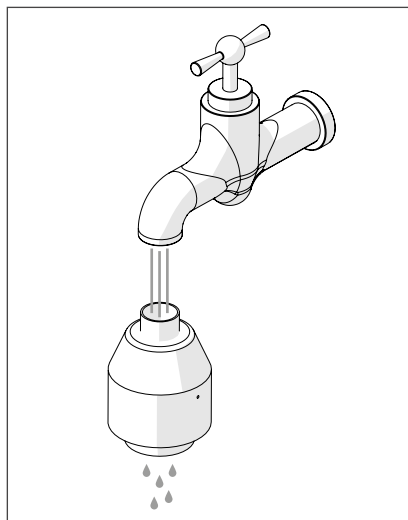


Bild 13

FELSÖKNING

Fel	● Röd lampa	● Gul lampa	● Grön lampa	Ljudsignal	Åtgärd
Fel på frånluftsfläkt.	Blinkar		Blinkar	10 ljudpulser	<ol style="list-style-type: none"> 1. Nollställ toaletten 2. Öppna och stäng toalettlocket. 3. Starta en förbränning. 4. Kontakta återförsäljare/verkstad om felet återkommer.
Fel på gasfläkt.	Blinkar	Blinkar	Blinkar	10 ljudpulser	<ol style="list-style-type: none"> 1. Nollställ toaletten 2. Öppna och stäng toalettlocket. 3. Starta en förbränning. 4. Kontakta återförsäljare/verkstad om felet återkommer.
Fel på gasbrännare efter 3 antändningsförsök		Blinkar		Kontinuerligt ljudpulser	<ol style="list-style-type: none"> 1. Kontrollera att gasen är ansluten. 2. Anslut ev. gas och nollställ toaletten. 3. Återställ ev. temperaturvakten. 4. Öppna och stäng toalettlocket. 5. Starta en förbränning. 6. Kontakta återförsäljare/verkstad om felet återkommer.
Luckan har fastnat.	Blinkar			10 ljudpulser	<p>Varm toalett:</p> <ol style="list-style-type: none"> 1. Tryck flera gånger på start utan att lägga i en ny påse. 2. Öppna locket mellan varje gång. Om detta inte hjälper väntar du tills toaletten är kall (fläkt avstängd). <p>Kall toalett:</p> <ol style="list-style-type: none"> 1. Öppna toalettlocket och tryck på start. Luckan öppnas. 2. Avlägsna det som fått luckan att fastna.
Askbehållare i fel position	Blinkar	Blinkar		3 ljudpulser	Sätt askbehållaren i rätt läge.
Fel på temperaturgivare.		Blinkar	Blinkar	Kontinuerligt	Försök nollställa toaletten. Kontakta serviceverkstad eller återförsäljare om detta inte hjälper.
Temperaturvakt utlöst		Blinkar		Kontinuerligt	Återställ temperaturvakt (se särskilt avsnitt)
Askbehållaren är full. Toaletten fungerar inte.	Lyser	Lyser		Kontinuerligt	Töm och rengör askbehållaren
Inga lampor, inget ljud.					Kontrollera att husvagnens/husbilens huvudbrytare är på. Kontrollera att 12 V spänning är ansluten.
Bränd lukt utanför husbil/husvagn.					Rengör katalysatorn. Se till att frånluftsroret inte är tilltäppt.
Låg spänning < 11,0 V.			Blinkar		Åtgärda felet så att spänningen från bilen/husvagnen är 12 V
Lägsta tillåtna spänning < 10,5 V. Gastillförseln stryps			Blinkar (efter 1,5 min)	10 ljudpulser, upprepande	Åtgärda felet så att spänningen från husbilen/husvagnen är 12 V.
Kritiskt låg spänning. Omedelbar avstängning.				10 ljudpulser	Åtgärda felet så att spänningen från husbilen/husvagnen är 12 V.



Toaletten nollställs när startknappen hålls intryckt i 8 sekunder. När det hörs ett långt pip kan den släppas.

ÅTERSTÄLLA TEMPERATURVAKT

Om temperaturen i toaletten blir för hög kommer en temperaturvakt att lösas ut. För att återställa den ställer du dig framför toaletten och drar ut den från väggen. Temperaturvakten sitter på höger sida (bild 14). Tryck in knappen. När du hör och känner ett knäpp (taktill feedback) är den återställd. Om du inte hör och känner något lyser den gula lampan av någon annan anledning.

SERVICE

I Cinderella Travels förbränningskammare är miljön sur och arbetstemperaturen hög. Därför kommer det förr eller senare att uppstå behov av service. Tänk på att förebyggande underhåll minskar behovet av service betydligt.

När toaletten behöver service kontaktar du din återförsäljare och uppger toalettens serienummer så att verkstaden vet vilken modell det är och vilka reservdelar som eventuellt måste införskaffas. En översikt över serviceverkstäder finns på vår webbplats www.cinderellaeco.com.

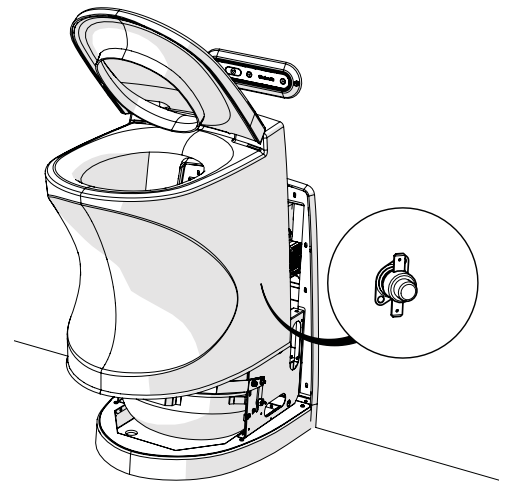


Bild 14

GARANTI



Vad omfattas av garantin?

Denna garanti täcker material- och tillverkningsfel på Cinderellas förbränningstolett enligt de villkor, under den period och med de undantag som anges nedan.

Vad omfattas inte av garantin?

Garantin täcker inte normalt slitage eller skador orsakade av incidenter, force majeure eller felaktig hantering och gäller inte om tillverkarens instruktioner inte följts eller om underhåll skett på olämpligt sätt. Följdsador täcks inte av denna garanti. Cinderella Eco Group erbjuder ingen "på plats"-garanti. Det innebär att toaletten måste transporteras till en auktoriserad återförsäljare som kan utföra service. Om detta inte är möjligt kan återförsäljaren ta ut en transportavgift.

Hur länge gäller garantin?

Garantin gäller i tre (3) år från inköpsdatum.

Hur beställer jag service?

Kontakta din husbils-/husvagnsförsäljare eller en auktoriserad verkstad för att beställa service. Vilka servicealternativ som finns tillgängliga beror på i vilket land servicen beställs.

Du kan behöva lämna in relevant inköpsbevis när du återoppar garantin.

Mer information om garantin finns på vår webbplats: www.cinderellaeco.com

Cinderella Eco Group

Sjøvikvegen 67
6475 Midsund
Norge
www.cinderellaeco.com

SISÄLTÖ

Turvallisuus	39
Kaasun käyttö asuntovaunuissa tai matkailuautoissa	39
Yleistä turvallisuustietoa Cinderella Travel -käymälästä.....	39
Tekniset tiedot	40
Kuvaus.....	40
Käymälän toiminta	42
Käyttö	42
Ennen käyttöä	42
Käymälän käyttö	42
Yleistä tietoa Cinderella Travel -käymälän käytöstä	42
Tuhkasäiliön tyhjentäminen.....	43
Talvikäyttö.....	44
Merkkivalot.....	44
Huolto	45
Tuhkasäiliön puhdistaminen.....	45
Istuinaltaan puhdistaminen	45
Katalysaattorin puhdistaminen.....	46
Vianetsintä	47
Lämpötilavahdin nollaus	48
Takuu	49

TURVALLISUUS

LUE KÄYTTÖOHJE HUOLELLISESTI JA SÄILYTÄ TULEVAN TARPEEN VARALTA.

KAASUN KÄYTTÖ ASUNTOVAUNUISSA TAI MATKAILUAUTOISSA

Kaasun käyttö ja säilytys vaativat huolellisuutta. Tarkista pullo, letkut, putket ja liitännät ennen käyttöä.

Leirintäalueilla majoitutaan lähekkäin ja käytetään palavia materiaaleja, keittolevyjä, grillejä ja muita sytytyslähdeitä. Siksi on suositeltavaa tutustua leirintäalueen turvamääräyksiin ja huolehtia siitä, että vaunussa tai autossa on toimiva palovaroitin ja sammutin.

Propanisäiliöitä on aina säilytettävä pystyasennossa. Niitä ei saa altistaa poikkeukselliselle kuumuudelle eikä voimakkaalle auringonpaisteelle. Huolehdi, ettei propaania pääse vuotamaan. Muista, että propaani on ilmaa painavampaa. Vuodon sattuessa kaasu kerääntyy vaunun tai auton lattian tasolle. Kaasuvuodossa ilmasta voi tulla räjähdysaltista, ja kaasu voi syttyä avotulesta, tupakasta tai staattisesta sähköpurkauksesta.

Vuodot voi havaita sivelemällä saippuavettä letkuihin ja putkiliitännöihin. Kun kaasu avataan, vuotokohtaan ilmestyy saippuakuplia. Jos havaitset vuodon, sulje kaasuhana. Käymälää ei saa käyttää, ennen kuin vuotokohta on korjattu.

Sulje kaasuhana, kun käymälä ei ole käytössä. Jos käymälä jää pitkäksi aikaa käyttämättömäksi, irrota regulaattori.

Jos autossa tai vaunussa ei vielä ole kaasuhälytintä, suosittelemme sellaisen asentamista.

Ajoneuvoa voidaan ajaa käymälän polttaessa. Turvallisuussyistä suosittelemme, että kaasupullon tai -säiliön lähelle asennetaan kaasunpaineen säädin ja törmäystunnistin.

Pidä kaasulaitteisto hyvässä kunnossa, mutta älä yritä itse korjata mahdollisia vaurioita tai vikoja.

Vian ilmetessä ota yhteyttä toimittajaan.

YLEISTÄ TURVALLISUUSTIETOA CINDERELLA TRAVEL -KÄYMÄLÄSTÄ

Cinderella Travel -käymälässä on useita turvallisuustoimintoja:

- Kun käymälä ei ole polttilassa, sähköisesti ohjattu venttiili pitää kaasunsyötön suljettuna.
- Järjestelmä valvoo polttoa, ja liekkivahti tarkkailee, palaako poltin. Jos sytytys ei onnistu, kaasunsyöttö katkaistaan, järjestelmä antaa äänimerkin ja sytyttää merkkivalon.
- Jos polttimen takaiskuventtiili sammuttaa liekin tai poltin sammuu kaasun ja ilman väärän sekoitussuhteen vuoksi, liekkivahti katkaisee kaasunsyötön.
- Istuinaltaan läppä ja polttokammion luukku voidaan avata vasta, kun käymälän kansi on suljettu. Tämä turvaominaisuus estää pääsyn polttokammioon.
- Kun käymälän kansi avataan, poltto keskeytyy.
- Jos käymälän lämpötila nousee liian korkeaksi, lämpötilavahti laukeaa ja poltto keskeytyy. Lämpötilavahti on nollattava manuaalisesti, ennen kuin käymälää voi käyttää uudelleen. Katso ohjeet vianetsintäosiosta.
- Käymälän kotelo on paloa hidastavaa komposiittimateriaalia.
- Jos tuhkasäiliö on väärässä asennossa, poltto ei käynnisty.
- Käymälän poistotuuletin huolehtii polttokammion riittävästä jäähdytyksestä.
- Polttokammio ja poistoilmaputki on eristetty korkeita lämpötiloja kestävällä materiaalilla.
- Kaikki käymälät testataan, ennen kuin ne lähtevät tehtaalta.

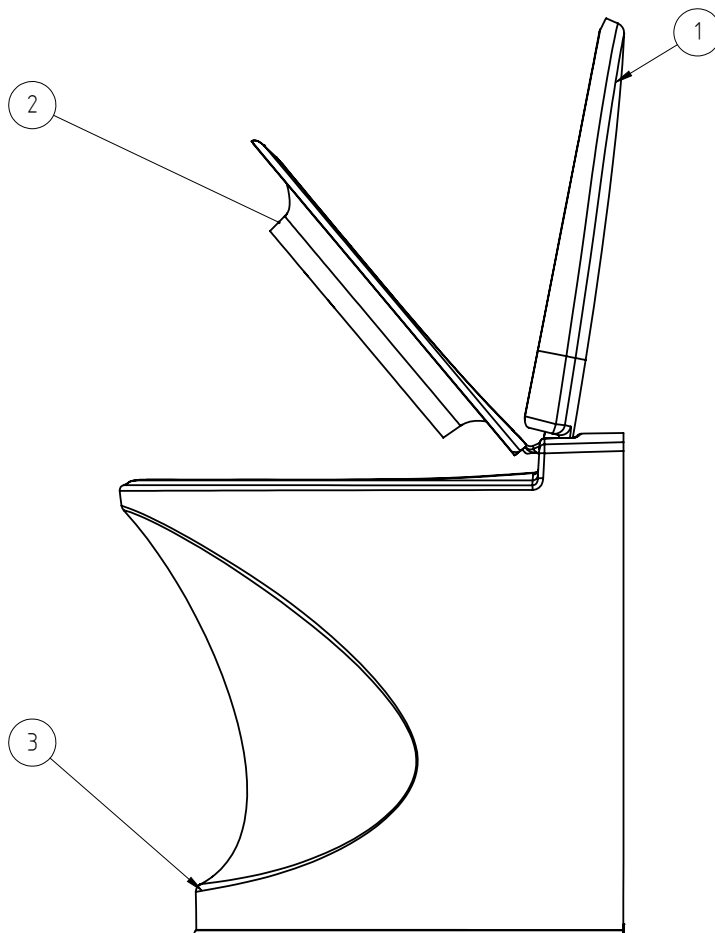
TEKNISET TIEDOT

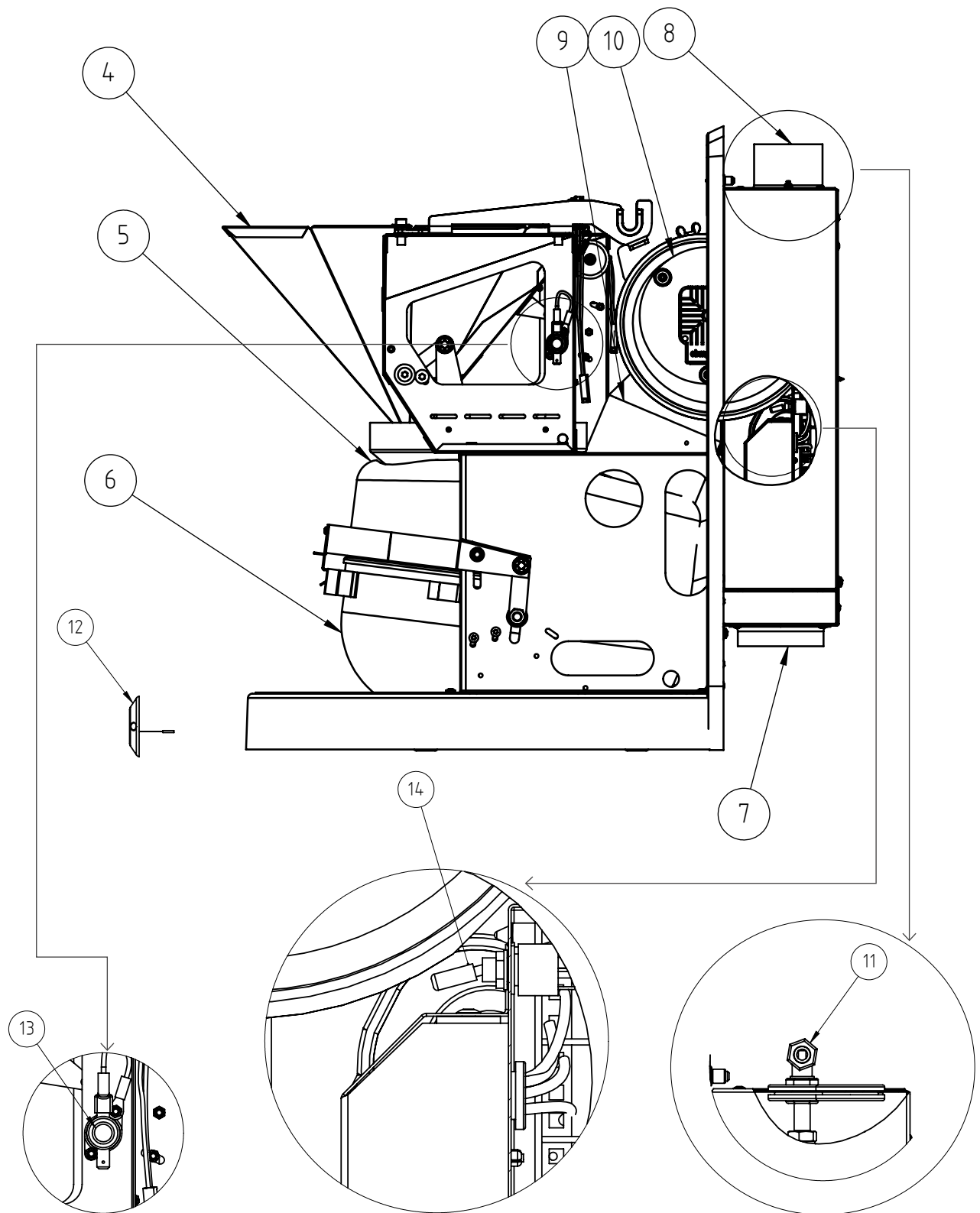
Paino	20 kg
Korkeus	540 mm
Istumakorkeus	490 mm
Leveys	390 mm
Syvyys	590
Kapasiteetti	3-4 käyntiä tunnissa
SSähkönkulutus valmiustilassa	0.005 Amp
Maksimivirta	4.0 Amp
Sähkönkulutus polton aikana	1.3 Amp
Kaasunkulutus	140-180 g / polttokertaa kohti
Tuuletin	12V DC
Kaasu	Propaani (30 mBar paine)
Virtalähde	12V DC / 4 Amp (11-14.4V)
Maksimiteho	2,7 kWh

VAROITUS!

Käymälää ei saa käyttää ilmoitettua kapasiteettia tiheämmin. Jos niin tehdään, polttokammio täyttyy liikaa, mikä voi aiheuttaa hajua ja vuotoa sekä vahingoittaa käymälää.

KUVAUS





1	Kansi	8	Poistoilmaputki
2	Istuinrenkas	9	Katalysaattori
3	Kotelo	10	Tuuletin
4	Istuinallas	11	Kaasuilitäntä
5	Polttokammio	12	Ohjauspaneeli
6	Tuhkasäiliö	13	Lämpötilavahti
7	Ilmasyöttö	14	Pääkytkin

KÄYMÄLÄN TOIMINTA

Käymälässä asioinnin jälkeen pussi sisältöineen putoaa polttokammioon. Kammio kuumenee, jolloin neste höyrystyy ja kiinteä aines palaa tuhkaksi. Ylimääräinen lämpö ja palokaasut johdetaan ulos poistoilmaputkea pitkin. Katalysaattori poistaa pahan hajun palokaasuista.

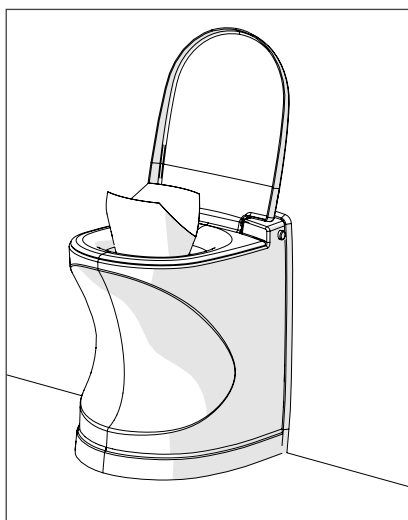
KÄYTTÖ

ENNEN KÄYTTÖÄ

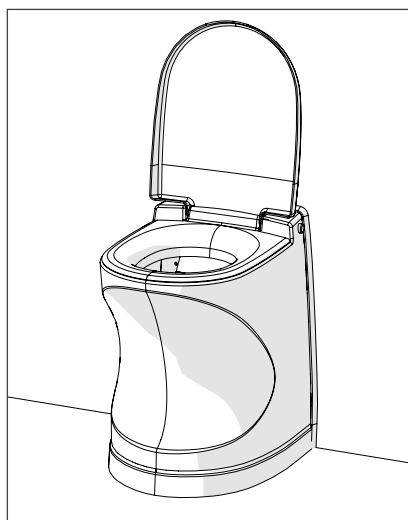
1. Varmista, että virran syöttö on kytketty.
2. Tarkista, että kaasuhana on auki.
3. Käytä vain propaania / nestekaasua.

KÄYMÄLÄN KÄYTTÖ

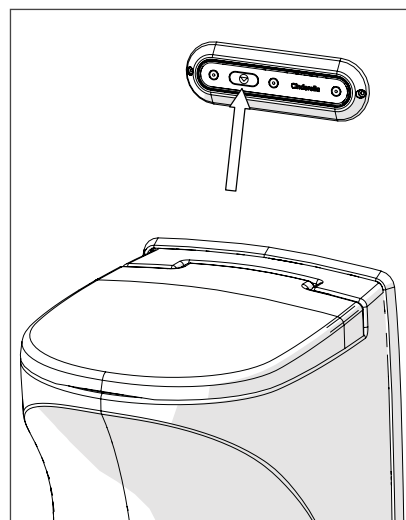
1. Nosta käymälän kansi ja istuinrenkas ylös. Punainen valo vilkkuu ja vihreä syttyy. Poistotuuletin käynnistyy automaattisesti.
2. Aseta pussi istuinaltaan sisälle niin, että pussin sauma on linjassa istuinaltaan "sauman" kanssa. Muista käyttää uutta pussia jokaisella käynnillä (kuva 1).
3. Laske istuinrenkas alas. Käymälä on käyttövalmis (kuva 2).
4. Käytä käymälää. Jos käymäläjätettä on vähän, kaada muutama desilitra vettä pussiin, niin että se painaa tarpeeksi ja putoaa alas.
5. Sulje käymälän kansi.
6. Paina käynnistyspainiketta (kuva 3). Kun luukku sulkeutuu, polttoprosessi käynnistyy. Käymälä on jälleen käyttövalmis.
7. Kun ohjauspaneelissa palaa keltainen valo, poltto on käynnissä. Valo palaa koko polton ajan.



Kuva 1



Kuva 2



Kuva 3

YLEISTÄ TIETOA CINDERELLA TRAVEL -KÄYMÄLÄN KÄYTTÖSTÄ

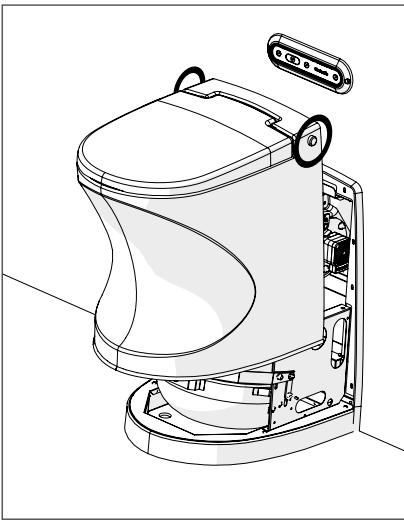
Tarkista, että tuhkasäiliö on oikein paikoillaan.

1. Pane istuinaltaaseen pussi aina ennen käymälän käyttöä. Kun käymälää ei käytetä, sen kannen on aina oltava kiinni.
2. Poltto voi käynnistyä vain, kun kansi on suljettu.
3. Jos kansi avataan, mahdollisesti käynnissä oleva poltto keskeytyy. Käymälää voi tällöin käyttää. Jokaisen käyttökerran jälkeen käynnistetään uusi poltto painamalla ohjauspaneelin käynnistyspainiketta. Käymälä tunnistaa itse, milloin poltto on valmis.
4. Kun poltto on valmis, ohjauspaneelin keltainen valo sammuu. Tuuletin sammuu, kun polttokammion lämpötila on riittävän alhainen (1–1,5 tuntia polton päättymisen jälkeen).

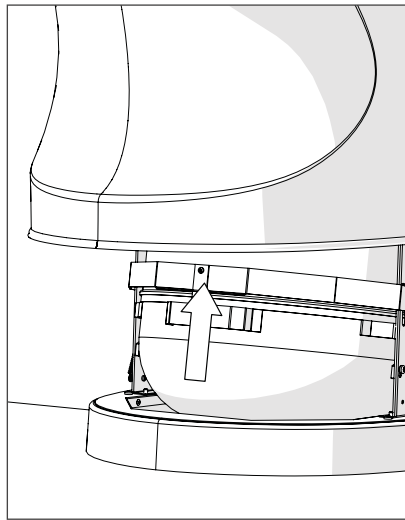
TUHKASÄILIÖN TYHJENTÄMINEN

Tuhkasäiliö suositellaan tyhjennettäväksi kerran viikossa tai kun käymälä antaa tyhjennysilmoituksen (ohjauspaneelin keltainen ja punainen valo vilkkuvat vuorotellen). Tyhjennysilmoitus tulee noin 70 polttokerran jälkeen.

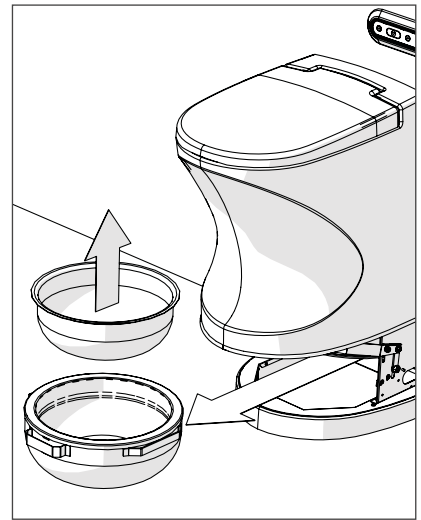
1. Odota, että käymälä on jäähtynyt ja tuuletin pysähtynyt. Älä katkaise 12 voltin käyttöjännitettä.
2. Vedä käymälän kotelo irti takaseinästä. Kotelon vetäminen helpottuu, jos koukistat sormet "nappien" ympärille (kuva 4).
3. Nostinmekanismi liikuttaa koteloa ulos- ja ylöspäin, ja se jää huoltoasentoon.
4. Löysää lukitusjousta ja nosta tuhkasäiliön edessä oleva lukitussalpa ylös (kuva 5).
5. Vedä tuhkasäiliö ulos. Ota sisäosa pois tuhkasäiliöstä ja tyhjennä se (kuva 6).
6. Puhdista virtsan suolat ja kiinnipalaneet jäämät sisäosasta. Ohjeet sisäosan puhdistamiseen ovat tämän käyttöohjeen huolto-osiossa.
7. Laita sisäosa takaisin tuhkasäiliöön.
8. Työnnä tuhkasäiliö kokonaan paikoilleen, jotta se voidaan lukita.
9. Vedä lukitussalpa paikoilleen ja napsauta tuhkasäiliö kiinni.
10. Laske kotelo paikalleen painamalla molemmilla käsillä käymälän kannen takaosan päältä (kuva 7). Tarkista, että käymälän seinän kehys (valkoinen lista) kiertyä koko istuinaltaan reunan.



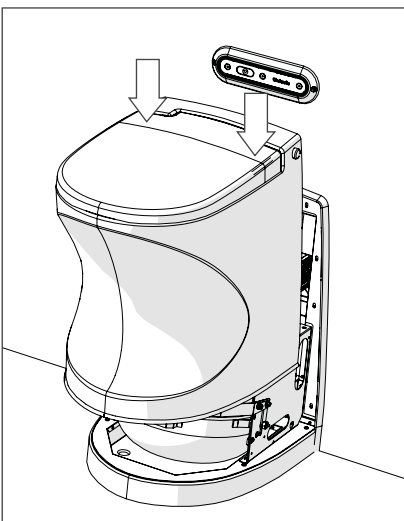
Kuva 4



Kuva 5



Kuva 6



Kuva 7

! HUOMAA!

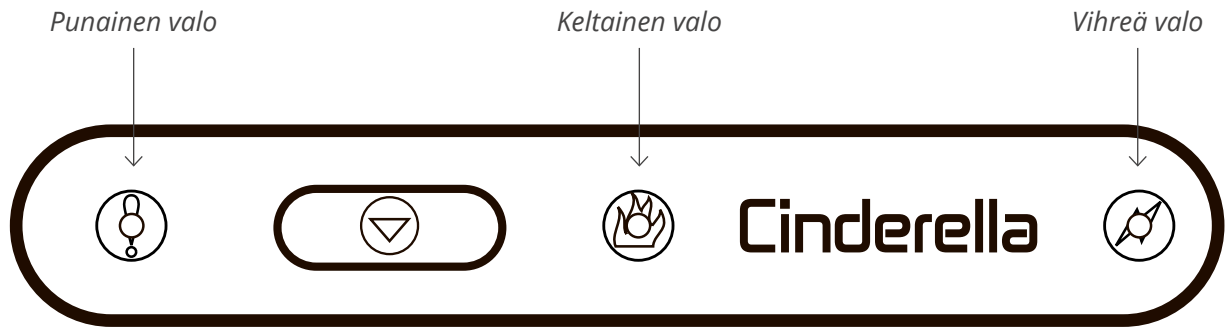
Tuhkajäämät ovat puhtaita eivätkä sisällä bakteereja eivätkä taudinaiheuttajia. Ne voidaan tavallisesti hävittää kotitalousjätteenä. Joissakin maissa voi kuitenkin olla rajoituksia, joten ota selvää paikallisista määräyksistä ja hävitä tuhka niiden mukaisesti.

TALVIKÄYTTÖ

Jos käymälää käytetään alueilla, joilla vaunun tai auton katolle voi kertyä lunta, on käytettävä poistoilmaputken jatkokappaletta. Se estää lunta tukkimasta poistoilmaputkea, mikä heikentäisi ilmanvaihtoa ja palamista. HUOMAA! Muista poistaa jatkokappale kuljetuksen ajaksi.

MERKKIVALOT

Ohjauspaneelissa on kolme valoa: punainen, keltainen ja vihreä. Ne kertovat käymälän kulloisenkin tilan ja ilmaisevat käymälän toiminnassa ilmenevät viat (ks. vianetsintä).



VALON VÄRI	VALOMERKKI	TILA
● Vihreä	Palaa	Käymälä on kytketty 12 voltin käyttöjännitteeseen
● Keltainen	Palaa	Poltto on käynnissä. Jos käymälän kansi avataan, poltto keskeytyy ja käymälää voi käyttää normaalisti.
● Punainen	Vilkkuu	Käymälän kansi on auki.
● ● Punainen ja keltainen	Vilkkuvat vuorotellen	Tuhkasäiliön tyhjentäminen on suositeltavaa.

KUNNOSSAPITO

Cinderellan toimintaympäristö korkeine lämpötiloineen, happoineen ja pakokaasuineen on erittäin ankara. Siksi muun muassa tuhkasäiliö, putket, tuuletin ja katalysaattori tarvitsevat ennaltaehkäisevää huoltoa. Suosittelemme, että käymälä huollatetaan valtuutetussa asuntovaunu- tai matkailuautohuollossa vaunun tai auton määräaikaishuollon yhteydessä.

USEIMMAT KUNNOSSAPITOTYÖT VOIT KUITENKIN TEHDÄ ITSE:

TUHKASÄILIÖN PUHDISTAMINEN



- Tuhkasäiliön saa tyhjentää ja puhdistaa vasta, kun käymälä on jäähtynyt tarpeeksi.
- Puhdistuksessa ei saa käyttää klooripohjaisia eikä hankaavia puhdistusaineita, sillä ne voivat syövyttää sisäosaa ja vahingoittaa katalysaattoria.

Käyttöohjeen mukaisesti (ks. s. 43).

1. Irrota tuhkasäiliö.
2. Ota sisäosa tuhkasäiliöstä ja tyhjennä se.
3. Kaada sisäosaan lämmintä vettä. Jätä se likoamaan tunniksi.
4. Kaada vesi pois ja harjaa sisäosa puhtaaksi. Älä naarmuta sisäosaa metalliesineillä, sillä sen pinta voi vahingoittua.

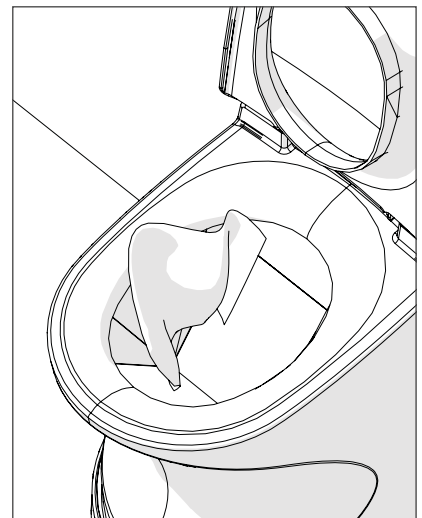
ISTUINALTAAN PUHDISTUS



- Käymälän tulee olla jäähtynyt.
- Älä käytä klooria tai hankausaineita sisältäviä puhdistusaineita.
- Älä käytä puhdistuksessa välineitä, jotka voivat naarmuttaa istuinaltaan metallipintaa.

Tehdään tarvittaessa tai joka kolmannella tuhkasäiliön tyhjennyskerralla.

1. Avaa käymälän kansi. Paina käynnistuspainiketta, kunnes polttokammion luukku avautuu.
2. Luukku jää auki, kunnes käymälän kansi suljetaan. Turvaominaisuus huolehtii siitä, että luukku voidaan avata vasta, kun käymälä on jäähtynyt.
3. Puhdista istuinallas pehmeällä liinalla (kuva 8). Voit käyttää puhdistuksessa paperiliinoja, jotka voi pudottaa polttokammioon puhdistuksen jälkeen. Kun puhdistaminen on tehty, sulje käymälän kansi. Polttokammion luukku sulkeutuu.

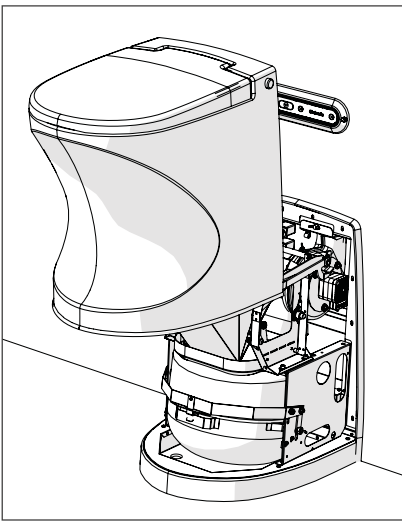


Kuva 8

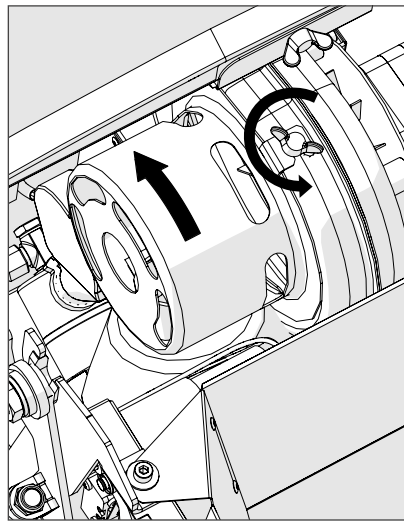
KATALYSAATTORIN PUHDISTUS

Katalysaattori puhdistetaan, jos on syytä epäillä heikkoa polttoa, tai 30 käyttöpäivän välein

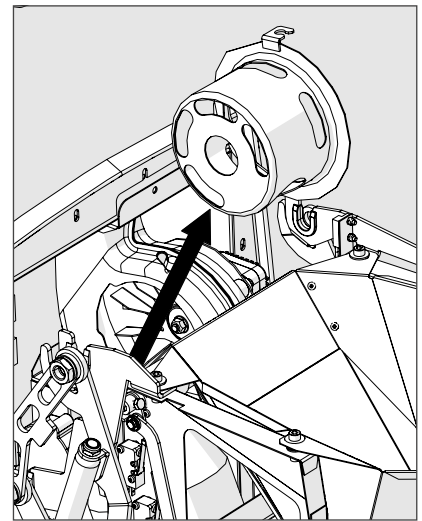
1. Odota, että käymälä on jäähtynyt ja tuuletin pysähtynyt.
2. Vedä kotelo irti takaseinästä. Nostinmekanismi liikuttaa koteloä ulos- ja ylöspäin, ja se jää huolto-asentoon.
3. Nosta kotelo kokonaan irti nostinmekanismista (kuva 9).
4. Avaa tuulettimen pidikkeen ruuvi (kuva 10).
5. Irrota tuulettimen pidike. Irrota se kiinnitysruuvista kiertämällä sitä hieman taaksepäin. Nosta se ulos (kuva 11).
6. Irrota katalysaattoriputki ja katalysaattori (kuva 12).
7. Huuhtele katalysaattori lämpimällä vedellä (kuva 13).
8. Aseta osat paikoilleen käänteisessä järjestyksessä. Varmista, että katalysaattoriputki asennetaan samaan asentoon, jossa se oli ennen irrotusta.
9. Aseta kotelo takaisin paikalleen nostinmekanismiin.
10. Tee kuivapoltto (painamalla käynnistuspainiketta), jotta katalysaattori kuivuu.



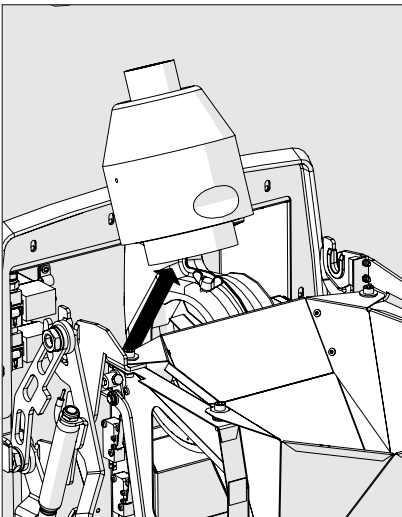
Kuva 9



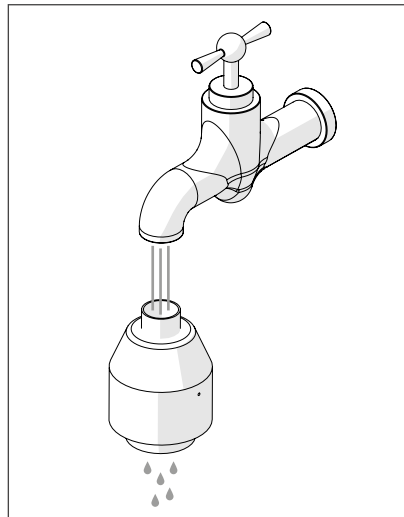
Kuva 10



Kuva 11



Kuva 12



Kuva 13

VIANETSINTÄ

Vika	 Punainen valo	 Keltainen valo	 Vihreä valo	Äänimerkki	Toimenpiteet
Poistotuuletin ei toimi.	Vilkkuu		Vilkkuu	10 äänimerkkiä	<ol style="list-style-type: none"> 1. Nollaa käymälä. 2. Avaa ja sulje käymälän kansi. 3. Käynnistä poltto. 4. Jos vika toistuu, käänny myyjän tai huollon puoleen.
Kaasutuuletin ei toimi.	Vilkkuu	Vilkkuu	Vilkkuu	10 äänimerkkiä	<ol style="list-style-type: none"> 1. Nollaa käymälä. 2. Avaa ja sulje käymälän kansi. 3. Käynnistä poltto. 4. Jos vika toistuu, käänny myyjän tai huollon puoleen.
Kaasupoltin ei toimi 3 sytytysyrityksen jälkeen		Vilkkuu		Jatkuvat äänimerkit	<ol style="list-style-type: none"> 1. Tarkista, että kaasuhana on auki. 2. Avaa se tarvittaessa ja nollaa käymälä. 3. Nollaa lämpötilavahti tarvittaessa. 4. Avaa ja sulje käymälän kansi. 5. Käynnistä poltto. 6. Jos vika toistuu, käänny myyjän tai huollon puoleen.
Polttokammion luukku juuttunut.	Vilkkuu			10 äänimerkkiä	<p>Kun käymälä on kuuma:</p> <ol style="list-style-type: none"> 1. Paina käynnistuspainiketta useita kertoja asettamatta istuinltaaseen uutta pussia. 2. Avaa käymälän kansi jokaisen käynnistuspainikkeen painamisen jälkeen. Jos tämä ei auta, odota kunnes käymälä on jäähtynyt (tuuletin on pysähtynyt). <p>Kun käymälä on jäähtynyt:</p> <ol style="list-style-type: none"> 1. Avaa käymälän kansi ja paina käynnistuspainiketta. Polttokammion luukku avautuu. 2. Poista luukun sulkeutumisen estävä esine.
Tuhkasäiliö väärässä asennossa	Vilkkuu	Vilkkuu		3 äänimerkkiä	Aseta tuhkasäiliö paikalleen oikein.
Vika lämpötilanturissa		Vilkkuu	Vilkkuu	Jatkuva äänimerkki	Nollaa käymälä. Jos tämä ei auta, käänny huollon tai myyjän puoleen.
Lämpötilavahti on lauennut		Vilkkuu		Jatkuva äänimerkki	Nollaa lämpötilavahti (ks. ohjeet jäljempänä)
Tuhkasäiliö on täynnä. Käymälää ei voi käyttää.	Palaa	Palaa		Jatkuva äänimerkki	Tyhjennä ja puhdista tuhkasäiliö
Ei valoja eikä ääntä.					Tarkista, että virta on kytketty asuntovaunun tai matkailuauton pääkytkimestä. Tarkista, että 12 voltin jännite on kytketty.
Vaunun tai auton ulkopuolella haistaa palaneelta.					Puhdista katalysaattori. Tarkista, että poistoilmapiutki on auki.
Alhainen jännite < 11,0 V.			Vilkkuu		Korjaa vaunun tai auton 12 V:n jännitesyöttö.
Alhaisin sallittu jännite 10,5 V. Kaasunsyöttö on katkaistu.			Vilkkuu (1,5 minuuttia katkaisun jälkeen)	10 äänimerkkiä toistuvasti	Korjaa vaunun tai auton 12 V:n jännitesyöttö.
Liian alhainen jännite. Välitön sammutus.				10 äänimerkkiä	Korjaa vaunun tai auton 12 V:n jännitesyöttö.



Käymälä nollataan painamalla käynnistuspainiketta 8 sekuntia. Kun käymälä antaa pitkän äänimerkin, painikkeen voi vapauttaa.

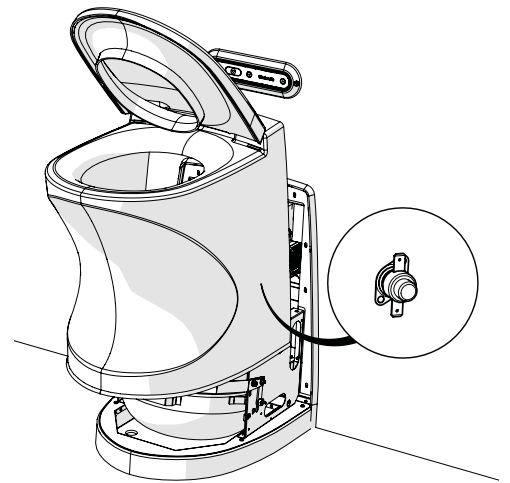
LÄMPÖTILAVAHDIN NOLLAUS

Jos lämpötila kotelon sisällä nousee liian korkeaksi, lämpötilavahti laukeaa. Se nollataan seuraavasti: Asetu käymälän eteen ja vedä kotelo irti takaseinästä. Lämpötilavahti sijaitsee käymälän oikealla puolella (kuva 14). Paina painiketta. Nollaus on valmis, kun kuulet ja tunnet naksahduksen. Jos näin ei tapahdu, keltaiselle valolle on jokin muu syy.

HUOLTO

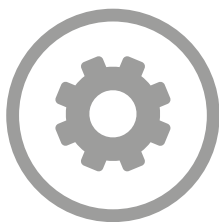
Cinderella Travel -käymälän käyttöympäristö on hapan, ja polttokammion käyttölämpötila on korkea. Siksi käymälää on huollettava aika ajoin. Ennaltaehkäisevällä kunnossapidolla voi pidentää huoltoväliä merkittävästi.

Huollontarpeen ilmetessä ota yhteyttä käymälän myyjään ja ilmoita käymälän sarjanumero. Näin huoltoliike osaa hankkia mahdollisesti tarvittavat varaosat. Huoltoliikkeiden tiedot ovat osoitteessa www.cinderellaeco.com.



Kuva 14

TAKUU



Mitä takuu kattaa?

Tämä takuu kattaa Cinderella-polttokäymälän materiaali- ja valmistusvirheet. Takuun voimassaoloaika on ilmoitettu jäljempänä, samoin poikkeukset takuun voimassaoloon.

Mitä takuu ei kata?

Tämä takuu ei kata normaalista käytöstä aiheutuvaa kulumista eikä force majeure -tilanteista, väärinkäytöstä, virheellisestä käytöstä, valmistajan ohjeiden laiminlyönnistä tai riittämättömästä huollosta aiheutuvia vahinkoja. Tämä takuu ei kata välillisiä tai muita epäsuoria vahinkoja. Cinderella Eco Group ei sovelle paikan päällä -takuuta. Tämä tarkoittaa sitä, että käymälä on vietävä valtuutetulle jälleenmyyjälle, joka voi suorittaa huollon. Jos se ei ole mahdollista, jälleenmyyjä voi veloittaa kuljetuskustannukset.

Kuinka kauan takuu on voimassa?

Tämä takuu on voimassa kolme (3) vuotta tuotteen alkuperäisestä ostopäivästä.

Miten saan tuotteelle takuhuollon?

Varaa huolto ottamalla yhteyttä matkailuautosi tai vaunusi jälleenmyyjään tai käymällä valtuutetussa huoltoliikkeessä. Huoltovaihtoehdot vaihtelevat maittain.

Takuuhuollon saadaksesi sinua voidaan pyytää esittämään ostokuitti. Tarkempaa tietoa takuusta on osoitteessa www.cinderellaeco.com

Cinderella Eco Group

Sjøvikvegen 67
NO-6475 Midsund
Norway
www.cinderellaeco.com

INHALT

Sicherheit	51
Gas im Wohnwagen/Wohnmobil.....	51
Allgemeines über die Sicherheit der Cinderella Travel	51
Technische Daten	52
Beschreibung	52
Funktionsweise der Toilette	54
Benutzung (Betrieb)	54
Vor der Benutzung.....	54
Benutzung der Toilette	54
Allgemeine Informationen zur Benutzung der Cinderella Travel	54
Entleeren des Aschebehälters	55
Winternutzung	56
Lichtsignale.....	56
Wartung	57
Reinigung des Aschebehälters	57
Reinigung der Beutelschüssel	57
Reinigung des Katalysators	58
Fehlersuche	59
Temperaturwächter zurücksetzen	60
Garantie	61

SICHERHEIT

ANLEITUNG SORGFÄLTIG DURCHLESEN! DIE ANLEITUNG FÜR DEN SPÄTEREN GEBRAUCH AUFBEWAHREN.

GAS IM WOHNWAGEN/WOHNMOBIL

Bei der Verwendung und Aufbewahrung von Gas ist Vorsicht geboten. Prüfen Sie Flasche, Schläuche, Rohre und Kupplungen vor dem Gebrauch.

Auf Campingplätzen lebt man eng nebeneinander und es werden brennbares Material, Kochgeräte, Daher wird empfohlen, dass Sie sich mit den Sicherheitsvorschriften des Campingplatzes vertraut machen und sicherstellen, dass Sie funktionierende Rauchmelder und Feuerlöscher im Wagen haben.

Propangasflaschen müssen immer aufrecht stehen und dürfen niemals einer abnormalen Erwärmung oder starker Sonnenwärme ausgesetzt sein. Achten Sie auf mögliche Lecks, aus denen Propangas austreten kann. Denken Sie daran, dass Propan schwerer ist als Luft. Daher bleibt das Gas beim Austreten im Wagen im Bereich des Bodens. Wenn Gas austritt, vermischt es sich mit der Luft und es besteht Explosionsgefahr und die Luft kann durch offene Flammen, glühenden Tabak oder elektrische Funken entzündet werden.

Mögliche Undichtigkeiten lassen sich feststellen, indem mit einem Pinsel Seifenwasser auf Schläuche und Rohrverbindungen aufgetragen wird. Wird die Gaszufuhr geöffnet, bilden sich durch den Druck an undichten Stellen Seifenblasen. Wenn undichte Stellen festgestellt werden, muss die Gaszufuhr geschlossen werden. Die Toilette kann erst benutzt werden, wenn die undichten Stellen ausgebessert sind.

Schalten Sie das Gas an der Gasflasche ab, wenn die Anlage nicht in Gebrauch ist, und denken Sie daran, bei längerer Abwesenheit den Druckminderer zu trennen.

Es wird empfohlen, ein Gaswarngerät zu installieren, sofern es nicht bereits installiert ist.

Mit dem Fahrzeug kann gefahren werden, wenn der Verbrennungsprozess läuft. Aus Sicherheitsgründen empfehlen wir, einen Gasdruckregler mit einem Crash-Sensor in der Nähe der Gasflasche oder des Gastanks zu installieren.

Halten Sie die Gasanlage immer in gutem Zustand, aber versuchen Sie nicht, irgendwelche auftretenden Schäden oder Defekte selbst zu reparieren.

Bei auftretenden Fehlern sollte der Lieferant kontaktiert werden.

ALLGEMEINES ÜBER DIE SICHERHEIT DER CINDERELLA TRAVEL

Die Cinderella Travel ist mit mehreren Sicherheitsfunktionen ausgestattet:

- Die Gaszufuhr wird immer über ein elektronisch gesteuertes Ventil geschlossen, wenn sich die Toilette nicht im Verbrennungsmodus befindet.
- Das System überwacht die Verbrennung und ein Flammenwächter erkennt, ob Feuer im Brenner ist. Gelingt die Zündung nicht, wird die Gaszufuhr unterbrochen, und es wird ein Alarm mit Ton- und Lichtsignal ausgelöst.
- Der Flammenwächter unterbricht die Gasversorgung, wenn die Flamme durch Rückschlag im Brenner oder durch ein falsches Mischungsverhältnis von Gas und Luft ausgeht.
- Die Klappe der Beutelschüssel und die Luke der Brennkammer öffnen sich erst, wenn der Toilettendeckel geschlossen ist. Dies verhindert den Zugang zur Brennkammer.
- Die Verbrennung wird unterbrochen, wenn der Toilettendeckel geöffnet ist.
- Bei zu hoher Temperatur im Toilettengehäuse löst der Temperaturwächter aus und die Verbrennung wird gestoppt. Der Temperaturwächter muss manuell zurückgesetzt werden, bevor die Toilette wieder benutzt werden kann. Siehe Abschnitt über Fehlersuche.
- Das Toilettengehäuse wird aus einem feuerhemmenden Verbundwerkstoff hergestellt.
- Die Verbrennung beginnt nicht, wenn sich der Aschebehälter in der falschen Position befindet.
- Das Abluftgebläse in der Toilette läuft solange, bis die Brennkammer ausreichend abgekühlt ist.
- Die Brennkammer und das Abgasrohr sind mit Material isoliert, das hohen Temperaturen standhält.
- Alle Toiletten werden vor Auslieferung getestet.

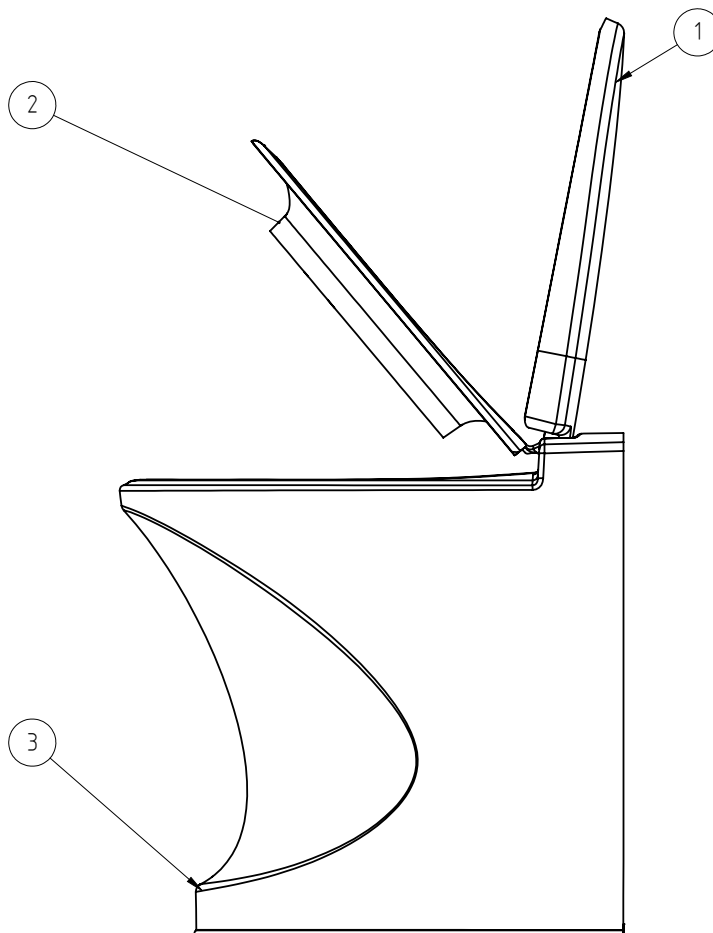
TECHNISCHE DATEN

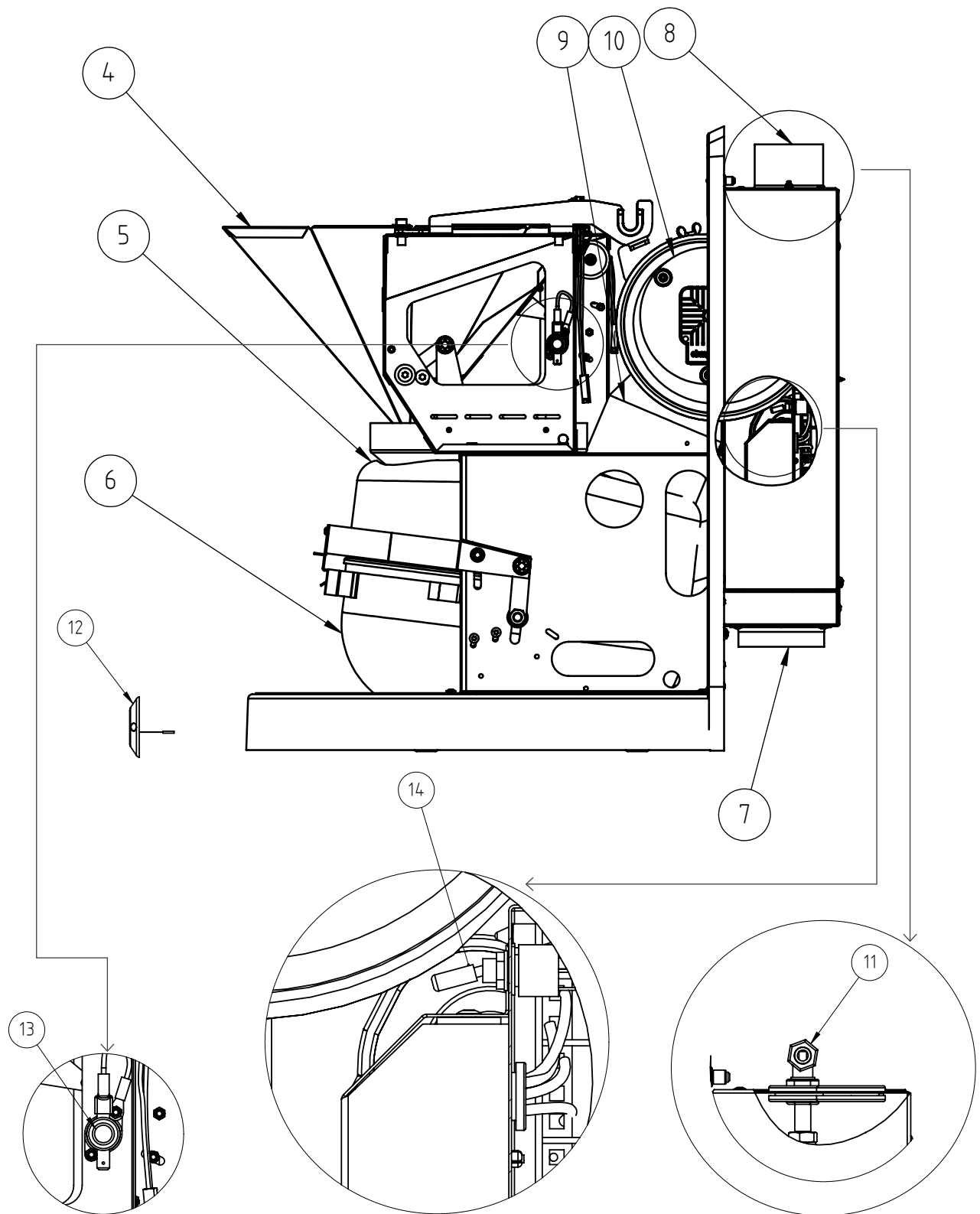
Gewicht	20 kg
Höhe	540 mm
Sitzhöhe	490 mm
Breite	390 mm
Tiefe	590
Kapazität	3-4 Besuche pro Stunde
Stromverbrauch im Standby	0.005 A
Spitzenlast	4.0 A
Stromverbrauch bei Verbrennung	1.3 A
Gasverbrauch	140-180 g je Verbrennung
Abzugsgebläse	12V DC
Gas	Propan (30 mBar Druck)
Stromversorgung	12V DC / 4 Amp (11-14.4V)
Maximale Brennerleistung	2,7 kWh

WARNUNG!

Benutzen Sie die Toilette nicht häufiger als die Anzahl Male, die aus der Kapazitätsbeschränkung hervorgehen. Sonst können Überfüllung der Brennkammer, Geruch, Undichtigkeiten und Schaden an der Toilette die Folge sein.

BESCHREIBUNG





1	Deckel	8	Abgas
2	Toilettensitz	9	Katalysator
3	Gehäuse	10	Gebälse
4	Schüssel	11	Gasanschluss
5	Brennkammer	12	Bedienpanel
6	Aschebehälter	13	Hochtemperaturschutz
7	Lufteinlass	14	Hauptschalter

FUNKTIONSWEISE DER TOILETTE

Wenn der Toilettenbesuch beendet ist, wird der Papierbeutel mit «Inhalt» in die Brennkammer hinab gelassen. Dort wird starke Hitze und Luft zugeführt, sodass die Flüssigkeit verdunstet und der Abfall zu Asche verbrannt wird. Restwärme und Abgas werden durch das Abgasrohr nach außen geleitet. Ein Katalysator entfernt unangenehme Gerüche aus dem Abgas.

BENUTZUNG (BETRIEB)

VOR DER BENUTZUNG

1. Stellen Sie sicher, dass die Stromversorgung angeschlossen ist.
2. Stellen Sie sicher, dass das Propan angeschlossen ist.
3. Nur Propan / LPG verwenden.

BENUTZUNG DER TOILETTE

1. Klappen Sie sowohl den Toilettendeckel als auch den Toilettensitz auf. Die rote Lampe blinkt und die grüne Lampe schaltet sich ein. Das Abluftgebläse startet automatisch.
2. Platzieren Sie den Papierbeutel so in der Schüssel, dass die Naht des Papierbeutels mit der „Naht“ der Schüssel fluchtet. Unbedingt vor jedem Gebrauch einen neuen Beutel verwenden (Abbildung 1).
3. Klappen Sie den Toilettensitz nach unten. Die Toilette ist einsatzbereit (Abbildung 2).
4. Benutzen Sie die Toilette. Bei kleinen Mengen Abfall eine Tasse Wasser hinzugeben, damit der Beutel schwer genug wird, um in die Brennkammer zu gleiten.
5. Schließen Sie den Toilettendeckel.
6. Drücken Sie die Starttaste (Abbildung 3). Wenn sich die Luke schließt, beginnt die Verbrennung. Die Toilette ist wieder bereit für einen neuen Besuch.
7. Die gelbe Lampe im Bedienpanel zeigt an, dass die Verbrennung im Gange ist. Sie leuchtet während der gesamten Verbrennung.

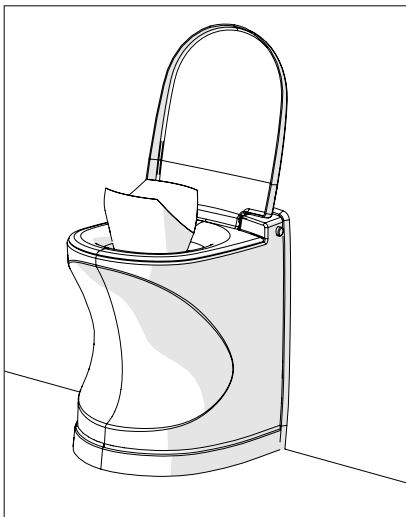


Abbildung 1

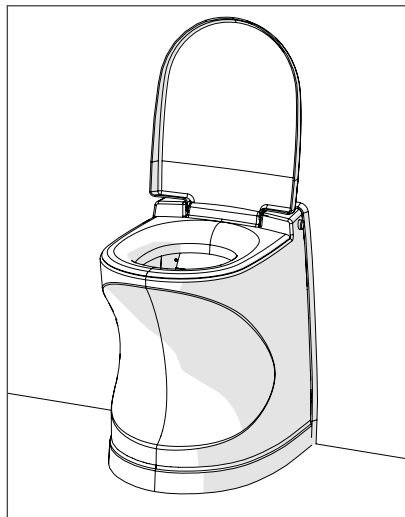


Abbildung 2



Abbildung 3

ALLGEMEINE INFORMATIONEN ZUR BENUTZUNG DER CINDERELLA TRAVEL

Stellen Sie sicher, dass der Aschebehälter richtig positioniert ist.

1. Legen Sie vor Benutzung immer einen Beutel in die Beutelschüssel. Der Toilettendeckel muss immer unten sein, wenn die Toilette nicht benutzt wird.
2. Eine Verbrennung beginnt erst, wenn sich der Deckel in der geschlossenen Position befindet.
3. Wenn der Deckel geöffnet wird, wird eine laufende Verbrennung gestoppt. Die Toilette kann dann benutzt werden. Nach jedem Besuch wird eine neue Verbrennung durch Drücken der Starttaste auf dem Bedienpanel eingeleitet. Die Toilette stellt selbst fest, wann die Verbrennung abgeschlossen ist.
4. Nach Abschluss der Verbrennung schaltet sich die gelbe Lampe am Bedienpanel aus. Das Abluftgebläse in der Toilette hält an, wenn die Brennkammer ausreichend abgekühlt ist (1-1,5 Stunden nach Ende der Verbrennung).

ENTLEEREN DES ASCHEBEHÄLTERS

Die Entleerung wird einmal pro Woche empfohlen oder wenn die Toilette voll ist (auf dem Bedienpanel blinkt abwechselnd die gelbe und die rote Lampe), was nach ca. 70 Verbrennungszyklen der Fall ist.

1. Warten Sie, bis die Toilette abgekühlt ist und das Gebläse angehalten hat. Schalten Sie den 12-V-Strom nicht ab.
2. Ziehen Sie das Gehäuse der Toilette aus seiner Verbindung mit der Rückwand heraus. Damit das Ziehen gelingt, umgreifen Sie mit Ihren Fingern die „Tasten“ (Abbildung 4).
3. Das Gehäuse bewegt sich mithilfe einer Hubvorrichtung heraus und nach oben und bleibt in der Serviceposition stehen.
4. Lösen Sie die Verriegelungsfeder und heben Sie den Verriegelungsbügel vor dem Aschebehälter nach oben (Abbildung 5).
5. Ziehen Sie den Aschebehälter heraus. Nehmen Sie den Einsatz aus dem Aschebehälter und leeren Sie die Asche aus (Abbildung 6).
6. Reinigen Sie den Einsatz und entfernen Sie dabei Urinsalze und angebrannte Reste. Lesen Sie im Abschnitt „Wartung“, wie Sie den Einsatz am besten reinigen.
7. Setzen Sie den Einsatz in den Aschebehälter zurück.
8. Drücken Sie den Aschebehälter vollständig in seine Position zurück, damit er verriegelt werden kann.
9. Ziehen Sie den Verriegelungsbügel wieder an seinen Platz und klicken Sie den Aschebehälter fest.
10. Senken Sie das Gehäuse ab, indem Sie mit beiden Händen auf den hinteren Teil der Oberseite des Toilettendeckels drücken (Abbildung 7). Stellen Sie sicher, dass der Rahmen in der Toilettenwand (die weiße Leiste) den Rand des Gehäuses umschließt.

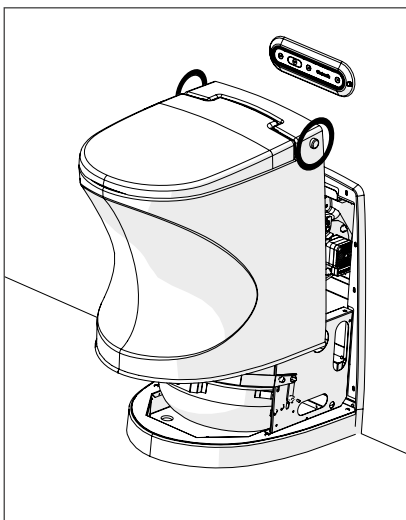


Abbildung 4

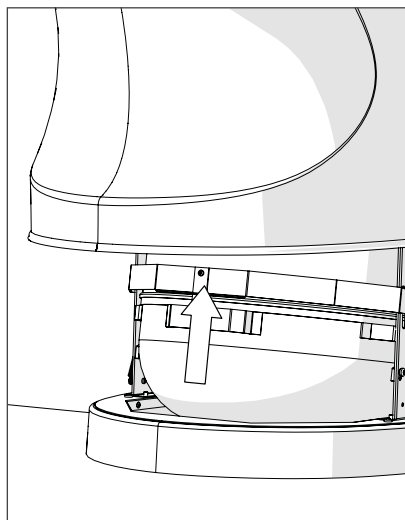


Abbildung 5

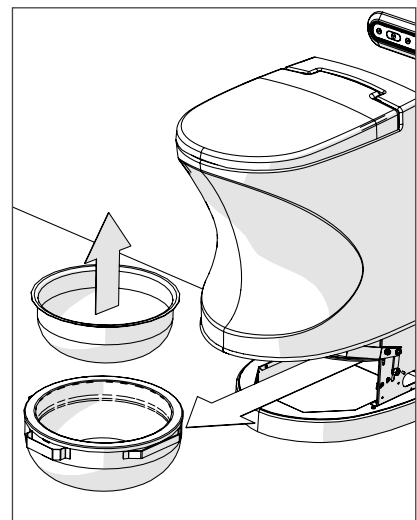


Abbildung 6

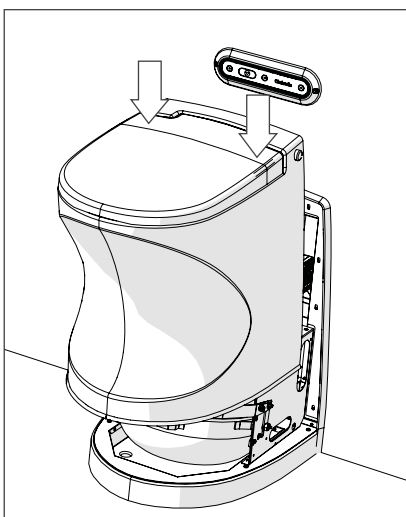


Abbildung 7

! HINWEIS!

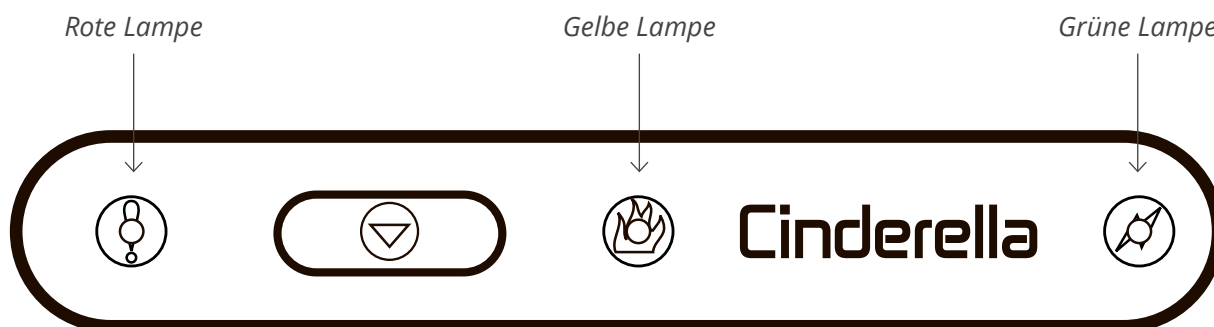
Die Ascherückstände sind sauber und frei von Bakterien und Erregern. Sie kann in der Regel als Hausmüll entsorgt werden. In einigen Ländern kann es Einschränkungen geben. Machen Sie sich daher mit den Bestimmungen des Landes vertraut, in dem Sie sich aufhalten, und entsorgen Sie die Asche entsprechend ordnungsgemäß.

WINTERNUTZUNG

Wenn das Gerät in Gegenden eingesetzt werden soll, in denen sich Schnee auf dem Dach des Wohnwagens/Wohnmobils ansammeln kann, dann verwenden Sie die mitgelieferte Verlängerung für den Schornsteinaufsatz. Damit soll verhindert werden, dass das Abgasrohr durch Schnee verstopft wird, was zu einem geringeren Luftstrom und einer schlechten Verbrennung führt. Bitte beachten! Denken Sie daran, die Verlängerung während des Transports zu entfernen.

LICHTSIGNALLE

Auf dem Bedienpanel befinden sich 3 Lampen; rot, gelb und grün. Diese Lampen zeigen den aktuellen Betriebsmodus der Toilette an und bei Bedarf auch Fehler an der Toilette (siehe separater Abschnitt zur Fehlersuche).



LAMPE	LICHTSIGNAL	STATUS
● Grüne Lampe	Leuchtet dauerhaft	Toilette an 12-V-Strom angeschlossen
● Gelbe Lampe	Leuchtet dauerhaft	Verbrennung in Betrieb. Wird der Toilettendeckel geöffnet, stoppt die Verbrennung und die Toilette kann wie gewohnt benutzt werden.
● Rote Lampe	Blinkt	Toilettendeckel offen.
● ● Rote und gelbe Lampe	Blinkt abwechselnd	Es wird empfohlen, dass Sie den Aschebehälter entleeren.

WARTUNG

Cinderella funktioniert in extremer Umwelt, mit hohen Temperaturen, Säuren und Abgasen. Dies erfordert die vorbeugende Wartung von u. a. Aschebehälter, Rohren, Gebläse und Katalysator. Es ist ratsam, den Service der Toilette in einer Fachwerkstatt für Wohnmobile und Wohnwagen im Zuge des üblichen Services durchführen zu lassen.

DAS MEISTE DER WARTUNG KÖNNEN SIE SELBST ERLEDIGEN:

REINIGUNG DER ASCHENLADE



- Der Aschebehälter darf nur geleert und gereinigt werden, wenn die Toilette abgekühlt ist.
- Reinigungsmittel auf Chlorbasis oder mit abrasiven Stoffen dürfen nicht verwendet werden, da sie am Einsatz des Aschebehälters Korrosion verursachen und den Katalysator beschädigen können.

Ist immer bei Entleerung des Aschebehälters durchzuführen (siehe Beschreibung auf Seite 55).

1. Entfernen Sie den Aschebehälter.
2. Nehmen Sie den Einsatz aus dem Aschebehälter und leeren Sie die Asche aus.
3. Geben Sie warmes Wasser in den Einsatz, um eingebrannte Rücklagerungen und Urinsalze zu lösen. Lassen Sie das Wasser für eine Stunde stehen.
4. Leeren Sie das Wasser aus und bürsten Sie die Rückstände aus dem Einsatz. Kratzen Sie nicht mit Metallgegenständen, da es die Oberfläche beschädigen kann.

REINIGUNG DER BEUTELSCHÜSSEL



- Die Toilette muss abgekühlt sein.
- Reinigungsmittel auf Chlorbasis oder mit abrasiven Stoffen dürfen nicht verwendet werden.
- Verwenden Sie keine Werkzeuge, die das Metall der Beutelschüssel zerkratzen können.

Bei Bedarf oder nach jedem dritten Entleeren des Aschebehälters.

1. Klappen Sie den Toilettendeckel auf. Halten Sie die Starttaste gedrückt, bis sich die Luke öffnet.
2. Die Luke in der Beutelschüssel wird in der offenen Position stehen, bis der Toilettendeckel wieder zugeklappt wird. Eine Sicherheitsfunktion sorgt dafür, dass die Luke nur dann in die offene Position gebracht wird, wenn die Toilette abgekühlt ist.
3. Reinigen Sie die Beutelschüssel mit einem weichen Tuch (Abbildung 8).
Verwenden Sie bei Bedarf Papiertücher, die nach der Reinigung in die Brennkammer fallen gelassen werden können. Schließen Sie den Toilettendeckel, wenn Sie fertig sind. Die Luke zur Brennkammer schließt sich.

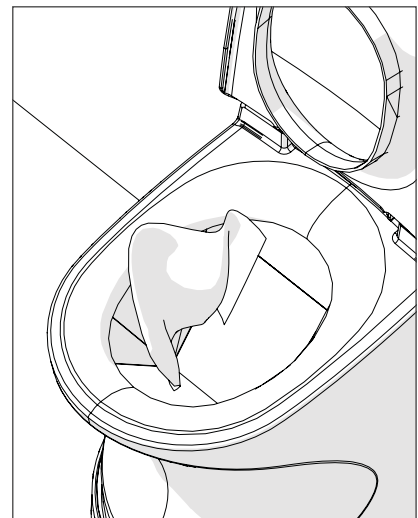


Abbildung 8

REINIGUNG DES KATALYSATORS

Wird bei Verdacht auf schlechte Verbrennung oder mit einem Intervall von 30 Benutzungstagen durchgeführt.

1. Warten Sie, bis die Toilette abgekühlt ist und das Gebläse angehalten hat.
2. Ziehen Sie das Gehäuse aus der Rückwand heraus. Das Gehäuse bewegt sich mit einer Hubvorrichtung heraus und nach oben und bleibt in der Serviceposition stehen.
3. Heben Sie das Gehäuse vollständig von der Hubvorrichtung ab (Abbildung 9).
4. Lösen Sie die Schraube der Gebläseabdeckung (Abbildung 10).
5. Nehmen Sie den Gebläseübergang heraus. Lösen Sie ihn von der Befestigungsschraube, indem Sie ihn leicht nach hinten drehen. Heben Sie ihn dann heraus (Abbildung 11).
6. Entfernen Sie das Katalysatorrohr mit dem Katalysator (Abbildung 12).
7. Spülen Sie den Katalysator in heißem Wasser (Abbildung 13).
8. Setzen Sie die Teile in umgekehrter Reihenfolge zusammen. Vergewissern Sie sich, dass das Katalysatorrohr wieder in die gleiche Position kommt, wie vor der Demontage.
9. Setzen Sie das Gehäuse auf die Hubvorrichtung.
10. Führen Sie einen Brennvorgang mit leerer Brennkammer durch (durch Drücken der Starttaste), um den Katalysator zu trocknen.

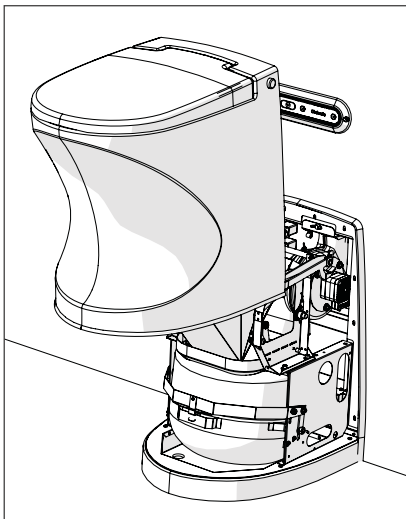


Abbildung 9

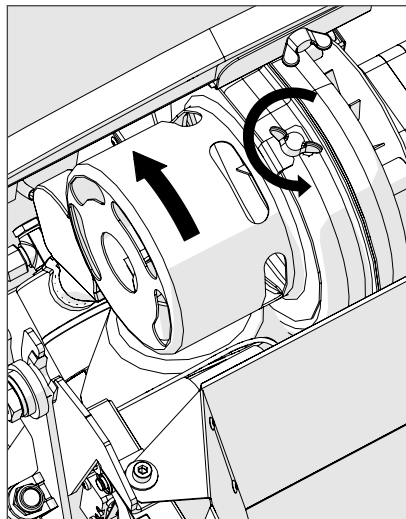


Abbildung 10

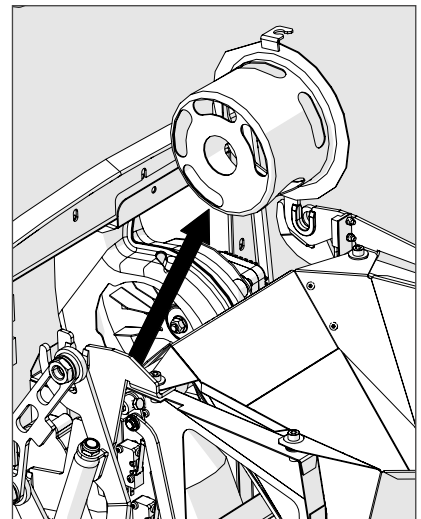


Abbildung 11

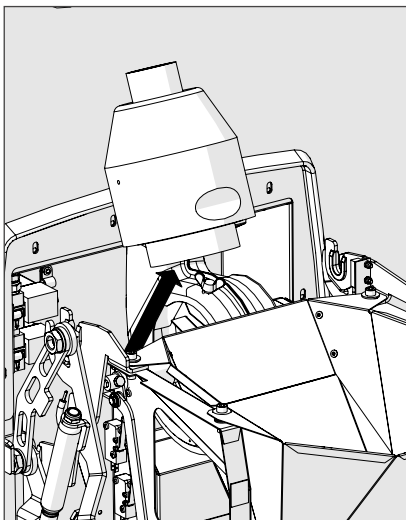


Abbildung 12

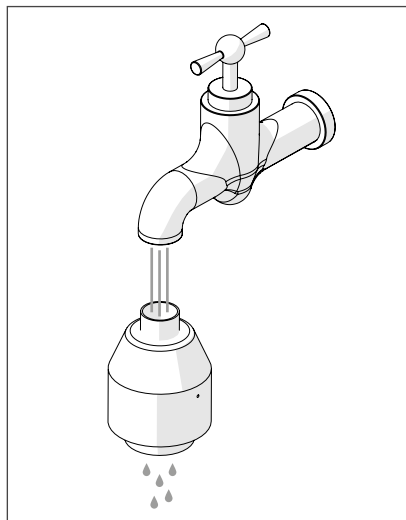


Abbildung 13

FEHLERSUCHE

Fehler	● Rote Lampe	● Gelbe Lampe	● Grüne Lampe	Tonsignal	Maßnahme
Fehler am Abzugsgebläse.	Blinkt		Blinkt	10 x Tonsignal	<ol style="list-style-type: none"> Toilette zurücksetzen Toilettendeckel aufklappen und zuklappen Verbrennung starten. Wenn sich der Fehler wiederholt, an Händler/Service wenden
Fehler an Gasgebläse.	Blinkt	Blinkt	Blinkt	10 x Tonsignal	<ol style="list-style-type: none"> Toilette zurücksetzen Toilettendeckel aufklappen und zuklappen Verbrennung starten. Wenn sich der Fehler wiederholt, an Händler/Service wenden
Fehler am Gasbrenner nach 3 Zündversuchen		Blinkt		Dauerhaft Tonsignale	<ol style="list-style-type: none"> Überprüfen, ob Gas angeschlossen ist. Ggf. anschließen und Toilette zurücksetzen. Temperaturwächter zurücksetzen Toilettendeckel aufklappen und zuklappen Verbrennung starten. Wenn sich der Fehler wiederholt, an Händler/Service wenden
Verkeilen der Luke.	Blinkt			10 x Tonsignal	<p>Bei heißer Toilette:</p> <ol style="list-style-type: none"> Wiederholt die Starttaste drücken, ohne einen neuen Beutel hineinzulegen. Zwischen jedem Mal den Deckel aufklappen. Hilft das nicht, warten, bis die Toilette kalt ist (Lüfter hat angehalten). <p>Bei abgekühlter Toilette:</p> <ol style="list-style-type: none"> Toilettendeckel aufklappen und Start drücken. Die Luke öffnet sich. Das entfernen, was die Ursache des Verkeilens ist.
Aschebehälter ist in falscher Position	Blinkt	Blinkt		3 x Piepton	Aschebehälter in richtige Position bringen.
Fehler bei Temperatursensor		Blinkt	Blinkt	Dauerhaft	Versuchen, die Toilette zurückzusetzen. Wenn dies nicht hilft, an Servicewerkstatt oder Händler wenden
Temperaturwächter ausgelöst		Blinkt		Dauerhaft	Temperaturwächter zurücksetzen (siehe eigener Abschnitt)
Aschebehälter ist voll. Die Toilette kann nicht benutzt werden.	Leuchtet	Leuchtet		Dauerhaft	Aschebehälter entleeren und reinigen
Keine Lampen, kein Ton.					Überprüfen, ob der Hauptschalter des Wohnwagens/Wohnmobils eingeschaltet ist. Überprüfen, ob 12-V-Spannung angeschlossen ist.
Brandgeruch außerhalb des Wohnwagens/Wohnmobils.					Katalysator reinigen. Sicherstellen, dass das Abgasrohr offen ist
Niedrige Spannung < 11,0 V.			Blinkt		Fehler an 12-V-Versorgung des Wohnwagens/Wohnmobils beheben
Niedrigste Spannung, die zulässig ist < 10,5 V. Gaszufuhr stoppt			Blinkt (nach 1,5 Min.)	10 x Tonsignal wiederholend	Fehler an 12-V-Versorgung des Wohnwagens/Wohnmobils beheben.
Kritisch niedrige Spannung. Sofort abschalten.				10 x Tonsignal	Fehler an 12-V-Versorgung des Wohnwagens/Wohnmobils beheben.



HINWEIS!

Die Toilette wird zurückgesetzt, indem die Starttaste für 8 Sekunden gedrückt gehalten wird. Wenn ein langer Piepton ertönt, kann sie losgelassen werden

ZURÜCKSETZEN DES TEMPERATURWÄCHTERS

Wenn die Temperatur im Gehäuse zu hoch wird, wird ein Temperaturwächter ausgelöst. Um diesen zurückzusetzen, stellen Sie sich vor die Toilette und ziehen das Gehäuse von der Rückwand ab. Der Temperaturwächter sitzt auf der rechten Seite (Abbildung 14). Drücken Sie die Taste. Wenn Sie ein Klicken hören und spüren (taktiles Feedback), dann ist er zurückgesetzt. Wenn kein taktiles Feedback zu spüren ist, gibt es andere Gründe für die gelbe Lampe.

SERVICE

Die Cinderella Travel arbeitet in einer sauren Umgebung und mit hohen Arbeitstemperaturen in der Brennkammer. Es wird daher früher oder später ein Servicebedarf bestehen. Denken Sie daran, dass vorbeugende Wartung den Servicebedarf erheblich hinauszögern kann.

Wenn bei der Toilette Servicebedarf besteht, kontaktieren Sie Ihren Händler und geben Sie die Seriennummer der Toilette an, sodass die Werkstatt weiß, um welches Modell es sich handelt und welche Ersatzteile ggf. für Ihre Toilette besorgt werden müssen. Eine Übersicht über Servicewerkstätten finden Sie auf unserer Website www.cinderellaeco.com.

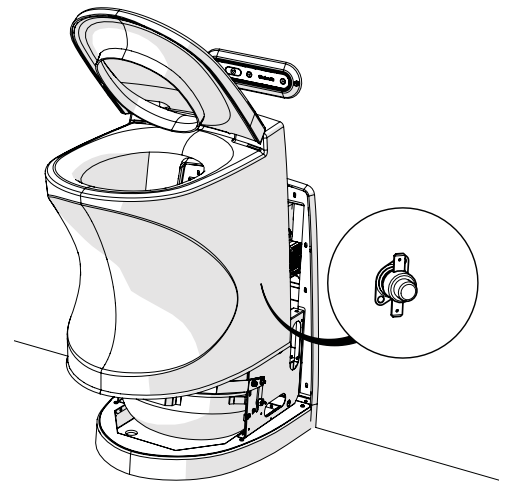
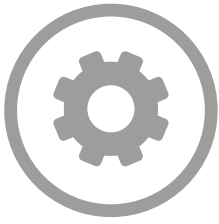


Abbildung 14

GARANTIE



Was deckt diese Garantie ab?

Diese Garantie deckt Material- oder Verarbeitungsfehler in Ihrer Cinderella-Verbrennungstoilette zu den Bedingungen, für den Zeitraum und vorbehaltlich der Ausnahmen ab, die unten aufgeführt sind.

Was deckt die Garantie nicht ab?

Diese Garantie deckt keine normale Abnutzung oder Schäden ab, die durch Unfälle, höhere Gewalt, Missbrauch, Fehlgebrauch, Nichtbeachtung der Anweisungen des Herstellers oder unsachgemäße Wartung verursacht werden. Folge- und Nebenschäden sind im Rahmen dieser Garantie nicht erstattungsfähig. Die Cinderella Eco Group gibt keine Vor-Ort-Garantie. Das bedeutet, dass die Toilette zu einem autorisierten Händler transportiert werden muss, der den Service vornehmen kann. Wenn das nicht möglich ist, muss der Händler die Transportkosten in Rechnung stellen.

Wie lange gilt die Garantie?

Diese Garantie gilt für einen Zeitraum von drei (3) Jahren ab dem ursprünglichen Kaufdatum.

Wie kann ich einen Service vereinbaren?

Um Service zu vereinbaren, wenden Sie sich an Ihren Wohnwagen-/Wohnmobilhändler oder besuchen Sie einen autorisierten Dienstleister. Die verfügbaren Serviceoptionen hängen von dem Land ab, in dem der Service angefordert wird.

Möglicherweise müssen Sie bei der Geltendmachung eines Anspruchs im Rahmen dieser Garantie einen Nachweis über den Kauf vorlegen.

Weitere Garantieinformationen finden Sie auf unserer Webseite: www.cinderellaeco.com

Cinderella Eco Group

Sjøvikvegen 67
6475 Midsund
Norwegen
www.cinderellaeco.com

SOMMAIRE

Sécurité	63
Utilisation de gaz dans les caravanes/camping-cars.....	63
Informations générales de sécurité concernant Cinderella Travel	63
Fiche technique	64
Description	64
Fonctionnement des toilettes	66
Utilisation (fonctionnement)	66
Avant l'utilisation.....	66
Utilisation des toilettes	66
Informations générales sur l'utilisation de Cinderella Travel.....	66
Vidage de la boîte à cendres	67
Utilisation hivernale.....	68
Voyants lumineux	68
Entretien	69
Nettoyage de la boîte à cendres	69
Nettoyage de la cuvette	69
Nettoyage du catalyseur	70
Résolution des pannes	71
Réinitialisation de l'interrupteur thermique	72
Garantie	73

SÉCURITÉ

LISEZ ATTENTIVEMENT LES INSTRUCTIONS ! VEUILLEZ CONSERVER LE MANUEL DE L'UTILISATEUR POUR UNE CONSULTATION ULTÉRIEURE.

GAZ DANS LES CARAVANES/CAMPING-CARS

L'utilisation et le stockage du gaz nécessitent de prendre certaines précautions. Inspectez la bonbonne, les tuyaux flexibles, les tubes et raccords avant utilisation.

Sur les terrains de camping, les caravanes et camping-cars sont proches les uns des autres, et les gens utilisent des matériaux inflammables, des appareils de cuisson, des barbecues et autres sources de chaleur. Nous vous conseillons donc de prendre connaissance des règles de sécurité du terrain de camping et de vérifier que votre détecteur de fumée et votre extincteur fonctionnent correctement.

Les bonbonnes de propane doivent toujours être conservées en position verticale et ne doivent jamais être exposées à une chaleur anormale ni à une chaleur solaire intense. Faites attention aux fuites possibles de propane. N'oubliez pas que le propane est plus lourd que l'air. En cas de fuite, le gaz s'accumulera au niveau du sol de votre véhicule. Les fuites de gaz peuvent rendre l'air explosif ; il peut alors s'enflammer en présence d'une flamme nue, d'une cigarette ou d'une étincelle électrique.

Détectez les fuites en appliquant de l'eau savonneuse sur les flexibles et les raccords des tuyaux. Lorsque vous ouvrez le gaz, des bulles se formeront en cas de fuite de gaz. En cas de fuite, coupez l'alimentation en gaz. N'utilisez pas les toilettes tant que la fuite n'est pas réparée.

Coupez le gaz au niveau de la bonbonne lorsque les toilettes ne sont pas utilisées et n'oubliez pas de débrancher le régulateur pendant les longues périodes d'absence.

Il est recommandé d'installer un détecteur de gaz dans l'espace d'habitation si cela n'a pas encore été fait.

Vous pouvez conduire le véhicule lorsque les toilettes sont en train d'incinérer des déchets. Pour votre sécurité, nous recommandons d'installer un régulateur de pression de gaz équipé d'un capteur d'impact près de la bonbonne ou du réservoir de gaz.

Veillez à ce que l'appareil à gaz soit toujours en bon état, mais n'essayez pas de réparer les dommages ou anomalies vous-même.

En cas de mauvais fonctionnement, veuillez contacter votre fournisseur.

INFORMATIONS GÉNÉRALES DE SÉCURITÉ CONCERNANT CINDERELLA TRAVEL

Cinderella Travel est équipé de divers dispositifs de sécurité :

- L'alimentation en gaz est toujours coupée par une valve à commande électronique lorsque les toilettes ne sont pas en mode d'incinération.
- Le système contrôle l'incinération et un détecteur de flammes détecte la présence de flammes dans l'incinérateur. Si l'incinérateur ne s'allume pas, l'alimentation en gaz est coupée et une alarme sonore et visuelle se déclenche.
- Le détecteur de flammes coupe l'alimentation en gaz si la flamme s'éteint en cas de remontée de flamme dans le brûleur ou d'un rapport gaz/air incorrect.
- Le volet de la cuvette et la trappe de la chambre d'incinération ne s'ouvriront pas tant que l'abattant des toilettes n'est pas abaissé. Ceci empêche tout accès à la chambre d'incinération.
- L'incinération cesse lorsque l'abattant des toilettes est relevé.
- En présence d'une température élevée à l'intérieur de la chambre d'incinération, l'interrupteur thermique se déclenche et la combustion s'arrête. L'interrupteur thermique doit être réinitialisé manuellement avant de pouvoir utiliser de nouveau les toilettes. Voir la section « Dépannage ».
- La coque externe des toilettes est faite d'un matériau composite ignifuge.
- L'incinération ne peut se faire si la boîte à cendres n'est pas correctement installée.
- L'extracteur des toilettes est programmé de manière à fonctionner jusqu'à ce que la chambre d'incinération ait suffisamment refroidi.
- La chambre à incinération et le tuyau d'échappement sont isolés avec un matériau résistant aux températures élevées.
- Toutes les toilettes sont soumises à des tests avant leur commercialisation.

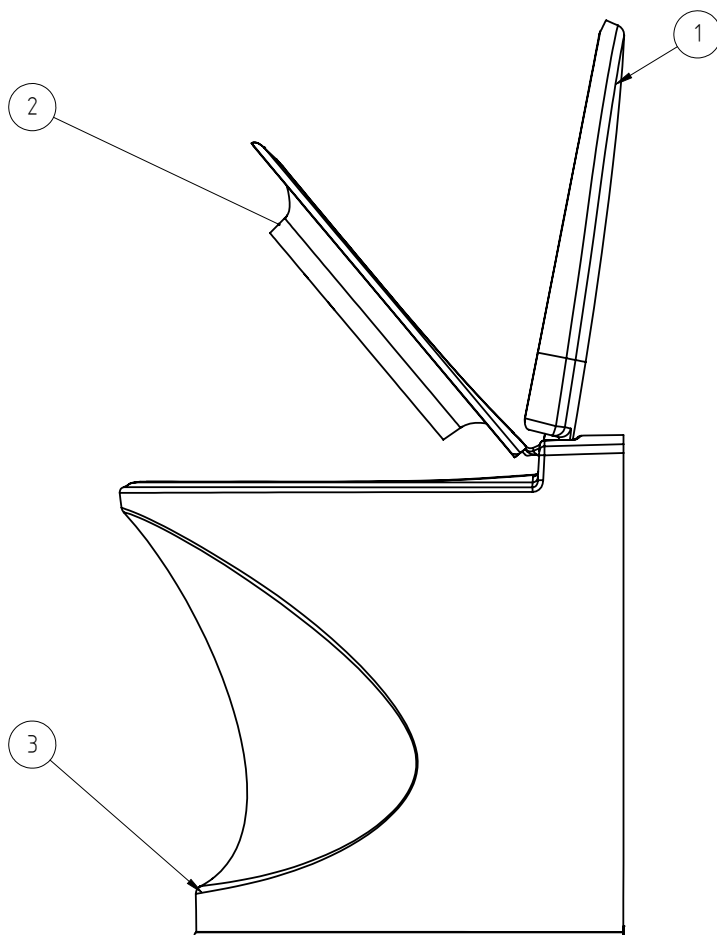
FICHE TECHNIQUE

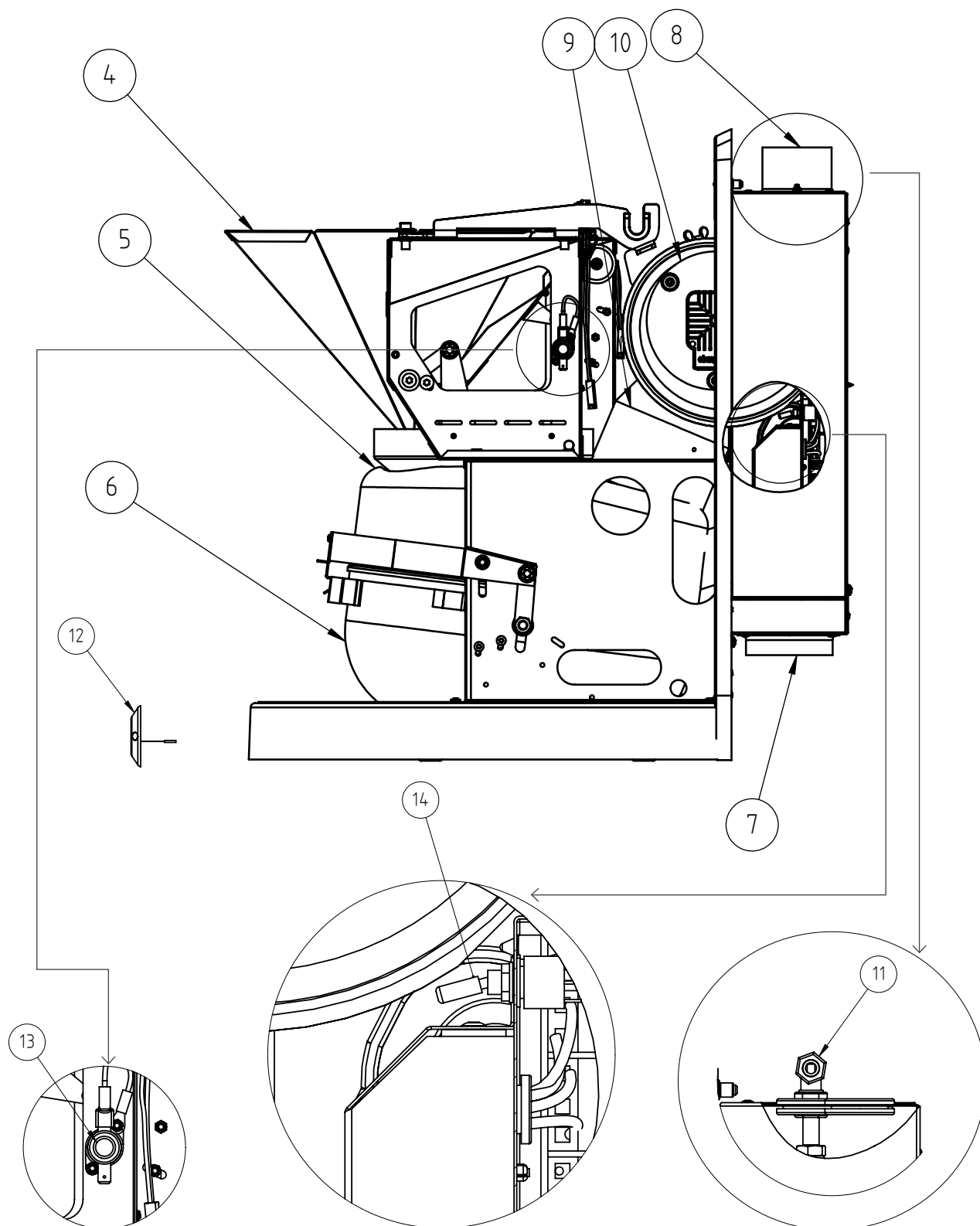
Poids	20 kg
Hauteur	540 mm
Hauteur de siège	490 mm
Largeur	390 mm
Profondeur	590
Capacité	3-4 visites par heure
Consommation électrique en veille	0.005 A
Charge de pointe	4.0 A
Consommation électrique (incinération)	1.3 A
Consommation de gaz	140-180 g par incinération
Extracteur	12V DC
Gaz	Propane (Pression 30 mBar)
Alimentation électrique	12V DC / 4 Amp (11-14.4V)
Puissance maximale du brûleur	2,7 kWh



N'utilisez pas les toilettes à une fréquence excédant la limite de capacité. Cela entraînerait un débordement, des odeurs ou des fuites dans la chambre d'incinération et pourrait endommager les toilettes.

DESCRIPTION





1	Abattant	8	Tuyau d'échappement
2	Siège	9	Catalyseur
3	Coque	10	Ventilateur
4	Cuvette	11	Raccord gaz
5	Chambre d'incinération	12	Panneau de commande
6	Boite à cendres	13	Protection contre les hautes températures
7	Admission d'air	14	Interrupteur secteur

FONCTIONNEMENT DES TOILETTES

Après avoir utilisé les toilettes, le sac et son contenu tombent dans la chambre d'incinération. Une chaleur élevée et de l'air sont injectés pour provoquer l'évaporation de tout liquide, puis le reste des déchets est incinéré et transformé en cendres. La chaleur résiduelle et la fumée sont rejetées par le tuyau d'évacuation. Un catalyseur empêche les odeurs désagréables.

UTILISATION (FONCTIONNEMENT)

AVANT L'UTILISATION

1. Vérifiez que les toilettes sont branchées.
2. Vérifiez que le propane est raccordé.
3. Utilisez exclusivement du propane ou du GPL.

UTILISATION DES TOILETTES

1. Relevez l'abattant et la lunette. Le voyant rouge clignote et le voyant vert s'allume. L'extracteur se met automatiquement en marche.
2. Placez le sac dans la cuvette, vérifiez que le bord du sac est aligné avec le « bord » de la cuvette. N'oubliez pas d'utiliser un nouveau sac à chaque visite (illustration 1).
3. Abaissez la lunette. Vous pouvez maintenant utiliser les toilettes (illustration 2).
4. Utilisez les toilettes. Ajoutez une tasse d'eau aux petites quantités de déjections afin que le sac soit suffisamment lourd pour tomber dans la chambre à incinération.
5. Baissez l'abattant des toilettes.
6. Appuyez sur la touche Start/Marche (illustration 3). Lorsque le clapet est refermé, l'incinération commence. Les toilettes sont prêtes pour une nouvelle utilisation.
7. Le voyant jaune du panneau de commande indique que l'incinération est en cours. Le voyant reste allumé pendant toute la durée de l'incinération.

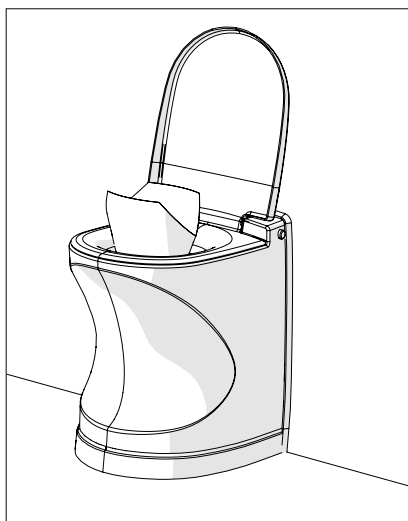


Illustration 1

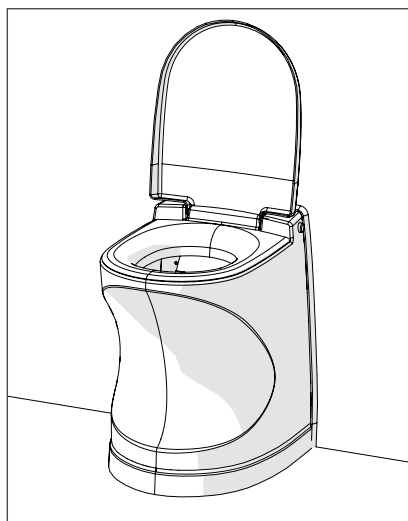


Illustration 2

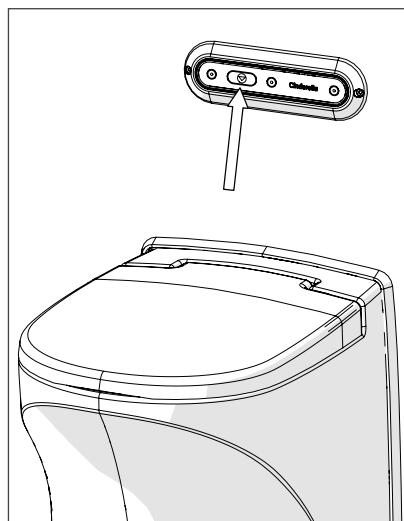


Illustration 3

INFORMATIONS GÉNÉRALES CONCERNANT L'UTILISATION DE CINDERELLA TRAVEL

Vérifiez que la boîte à cendres est correctement en place.

1. Veillez à toujours placer un sac dans la cuvette avant toute utilisation. L'abattant des toilettes doit toujours être abaissé lorsque les toilettes ne sont pas utilisées.
2. L'incinération ne peut pas commencer tant que l'abattant n'est pas abaissé.
3. Si l'abattant est relevé, l'incinération en cours cessera. Les toilettes sont alors prêtes à l'emploi. Après chaque utilisation, l'incinération est à nouveau lancée en appuyant sur la touche Start/Marche du panneau de commande. Les toilettes détectent automatiquement la fin de l'incinération.
4. Le voyant jaune du panneau de commande s'éteint lorsque l'incinération est terminée. L'extracteur s'arrête lorsque la température de la chambre d'incinération est suffisamment basse (1 - 1,5 heure après la fin de l'incinération).

VIDAGE DE LA BOÎTE À CENDRES

Il est conseillé de vider la boîte à cendres une fois par semaine ou lorsque le signal de la vider (voyants jaune et rouge clignotant en alternance sur le panneau de commande) se déclenche après environ 70 cycles d'incinération.

1. Attendez que les toilettes soient suffisamment refroidies et que l'extracteur se soit arrêté. Ne coupez pas l'alimentation 12 V.
2. Retirez la coque de son raccord à la cloison arrière. Pour faciliter le retrait de la coque, tirez avec vos doigts sur les « boutons » (Illustration 4).
3. La coque basculera et se déplacera automatiquement vers le haut grâce au mécanisme de levage intérieur, puis restera en position d'entretien.
4. libérez le ressort de blocage et relevez la trappe située à l'avant de la boîte à cendres (Illustration 5).
5. Sortez la boîte à cendres. Retirez le réceptacle de la boîte à cendres et jetez les cendres (Illustration 6).
6. Nettoyez le réceptacle afin d'éliminer les sels uriques et les résidus de combustion collés. Lisez les instructions concernant le nettoyage le plus efficace du réceptacle à la section « Entretien ».
7. Remplacez le réceptacle dans la boîte à cendres.
8. Remettez la boîte à cendres en place en la poussant à fond de manière à pouvoir la verrouiller.
9. Remettez la trappe en position initiale et verrouillez la boîte à cendres.
10. Abaissez la coque en appuyant des deux mains sur la partie arrière du haut du couvercle des toilettes (Illustration 7). Veillez à ce que le châssis intégré dans la cloison (le bord blanc) soit bien appuyé contre le bord de la coque.

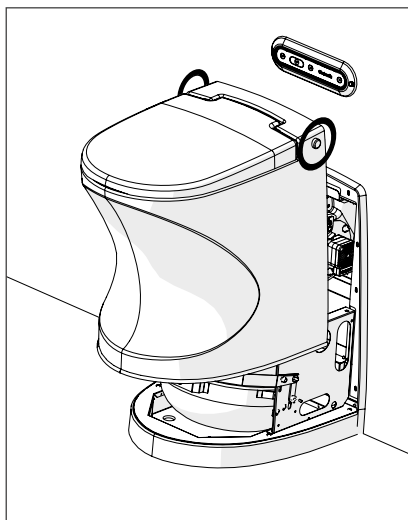


Illustration 4

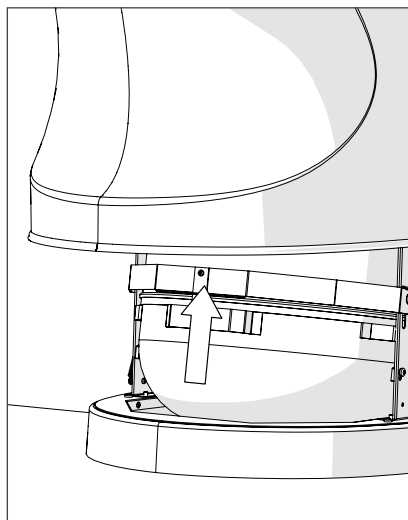


Illustration 5

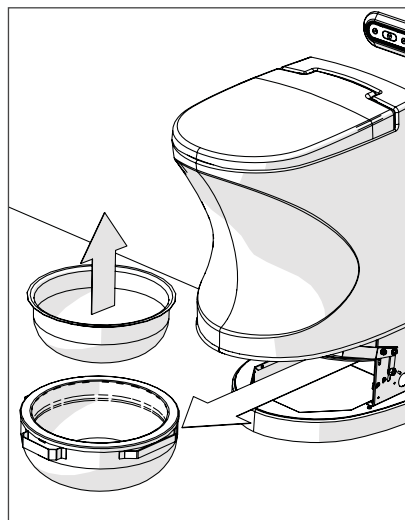


Illustration 6

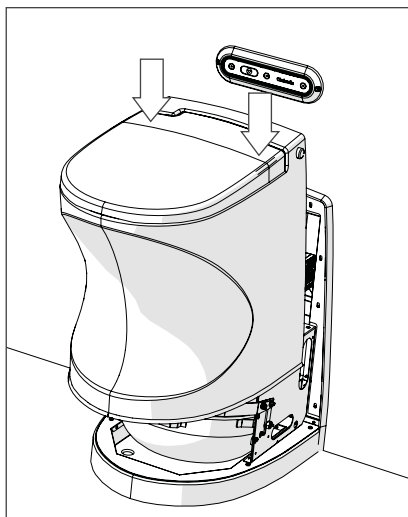


Illustration 7



REMARQUE!

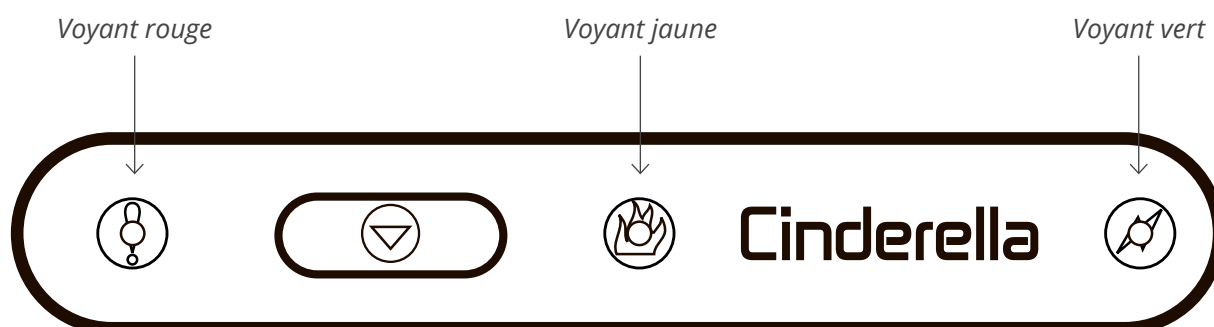
Les cendres sont propres et exemptes de bactéries et de pathogènes. Vous pouvez les jeter avec les déchets ménagers. Toutefois, certains pays publient parfois des restrictions ; veuillez donc vous renseigner sur les réglementations nationales applicables et jeter les cendres de manière appropriée.

UTILISATION HIVERNALE

Si les toilettes seront utilisées dans des endroits où la neige est susceptible de s'accumuler sur le toit de votre caravane/camping-car, veuillez utiliser la rallonge du tuyau d'extraction fournie. Celle-ci évite que le tuyau d'échappement ne soit obstrué par la neige, ce qui réduirait le débit d'air et empêcherait une incinération suffisante. REMARQUE N'oubliez pas de retirer la rallonge pendant le transport.

VOYANTS

Le panneau de commande comprend trois voyants : rouge, jaune et vert. Lorsque l'un des voyants est allumé, cela indique soit le mode de fonctionnement des toilettes, soit une erreur (voir la section Dépannage)



TYPE DE VOYANT	SIGNAL LUMINEUX	STATUT
● Voyant vert	Voyant reste allumé	Toilettes branchées à l'alimentation 12 V
● Voyant jaune	Voyant reste allumé	Incinération en cours. L'incinération cessera si l'abattant des toilettes est relevé ; les toilettes sont alors prêtes à l'emploi.
● Voyant rouge	Clignotant	Abattant des toilettes relevé.
● ● Voyants jaune et rouge	Clignotent en alternance	Il est recommandé de vider la boîte à cendres.

ENTRETIEN

Les toilettes Cinderella fonctionnent dans un milieu extrême incluant chaleur, acides et gaz d'échappement. . En conséquence, il est nécessaire d'effectuer un entretien préventif de la boîte à cendres, des tuyaux, du ventilateur et du catalyseur. Il est recommandé de faire appel à un atelier agréé pour effectuer l'entretien nécessaire dans le cadre de la maintenance régulière de votre de votre caravane/camping-car.

TOUTEFOIS, VOUS POUVEZ EFFECTUER UNE GRANDE PARTIE DE L'ENTRETIEN VOUS-MÊME :

NETTOYAGE DE LA BOÎTE À CENDRES

! REMARQUE!

- Videz et nettoyez la boîte à cendres uniquement lorsque les toilettes ont suffisamment refroidi.
- N'utilisez pas de détergents à base de chlore car ils risquent de provoquer la corrosion du réceptacle de la boîte à cendres et d'endommager le catalyseur.

À effectuer à chaque fois que vous videz la boîte à cendres (voir la description page 67).

1. Retirez la boîte à cendres.
2. Retirez le réceptacle de la boîte à cendres et videz les cendres.
3. Remplissez le réceptacle d'eau chaude afin de dissoudre les résidus de combustion et les sels uriques. Laissez tremper pendant une heure.
4. Jetez l'eau et brossez pour retirer les résidus du réceptacle. Ne pas utiliser d'objets métalliques pour ne pas endommager la surface.

NETTOYAGE DE LA CUVETTE

! REMARQUE!

- Les toilettes doivent avoir refroidi.
- N'utilisez pas de détergents à base de chlore ou abrasifs.
- N'utilisez pas d'objets susceptibles de rayer le métal de la cuvette.

À effectuer lorsque cela est nécessaire ou une fois sur 3 lorsque vous videz la boîte à cendres.

1. Relevez l'abattant. Maintenez le bouton de démarrage appuyé jusqu'à ouverture du volet de la cuvette.
2. Le volet de la cuvette restera ouvert jusqu'à ce que l'abattant soit abaissé. Une fonction de sécurité permet au volet de rester en position ouverte uniquement lorsque les toilettes ont suffisamment refroidi.
3. Nettoyez l'intérieur de la cuvette avec un chiffon humide (illustration 8). Vous pouvez également utiliser du papier absorbant qui pourra être jeté dans la chambre d'incinération après le nettoyage. Le nettoyage terminé, abaissez l'abattant des toilettes. La trappe de la chambre d'incinération se fermera.

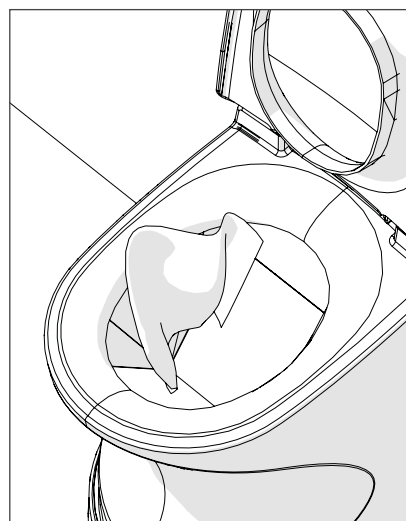


Illustration 8

NETTOYAGE DU CATALYSEUR

À effectuer si vous suspectez une mauvaise incinération ou après chaque cycle de 30 jours d'utilisation.

1. Attendez que les toilettes aient refroidi et que l'extracteur se soit arrêté.
2. Tirez sur la coque des toilettes pour la détacher de la cloison arrière. La coque se déplacera automatiquement vers le haut grâce à un mécanisme de levage intérieur, puis restera en position d'entretien.
3. Soulevez entièrement la coque du mécanisme de levage (Illustration 9).
4. Dévissez la vis du couvercle de l'extracteur (illustration 10).
5. Retirez le couvercle de l'extracteur. Libérez-le de la vis de blocage en le tournant légèrement vers l'arrière. Puis retirez-le (illustration 11).
6. Retirez le tuyau du catalyseur et le catalyseur (illustration 12).
7. Rincez le catalyseur sous de l'eau tiède (illustration 13).
8. Remontez les pièces dans l'ordre inverse. Vérifiez que le tuyau du catalyseur est dans la même position qu'avant le démontage.
9. Replacez la chambre d'incinération sur le mécanisme de levage.
10. Effectuez une combustion (en appuyant sur le bouton Start/Marche) afin de sécher le catalyseur.

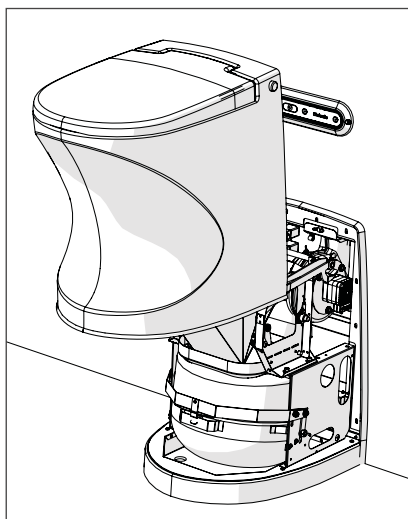


Illustration 9

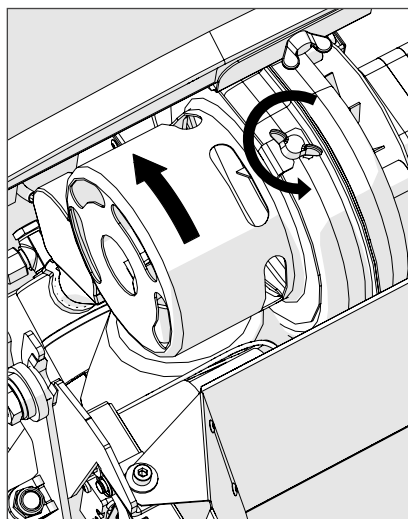


Illustration 10

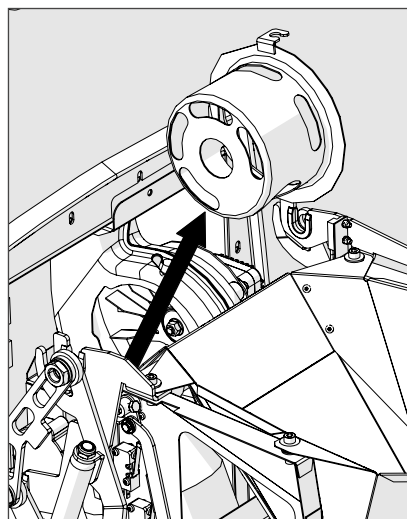


Illustration 11

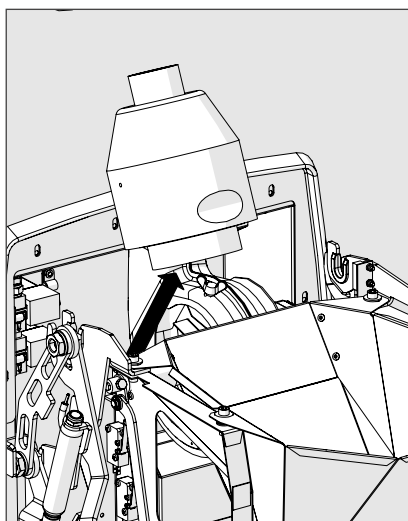


Illustration 12

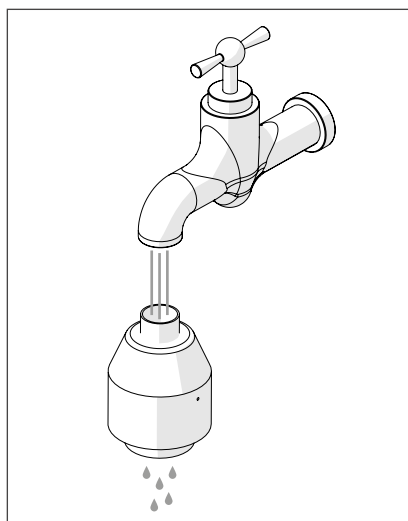


Illustration 13

DÉPANNAGE

Erreur	● Voyant rouge	● Voyant jaune	● Voyant vert	Signal sonore	Résolution
Problème avec l'extracteur.	Clignotant		Clignotant	10 bips	<ol style="list-style-type: none"> Réinitialiser les toilettes. Relever puis abaisser l'abattant des toilettes. Commencer l'incinération. Si l'erreur persiste, contactez le revendeur/le service après-vente.
Mauvais fonctionnement du ventilateur du gaz.	Clignotant	Clignotant	Clignotant	10 bips	<ol style="list-style-type: none"> Réinitialiser les toilettes. Relever puis abaisser l'abattant des toilettes. Commencer l'incinération. Si l'erreur persiste, contactez le revendeur/le service après-vente.
Problème avec le brûleur à gaz après trois tentative d'allumage.		Clignotant		Continu bips	<ol style="list-style-type: none"> Vérifier que le gaz est bien branché. Brancher éventuellement et réinitialiser les toilettes. Réinitialiser l'interrupteur thermique si nécessaire. Relever puis abaisser l'abattant des toilettes. Commencer l'incinération. Si l'erreur persiste, contactez le revendeur/le service après-vente.
La trappe est coincée.	Clignotant			10 bips	<p>Lorsque les toilettes sont chaudes :</p> <ol style="list-style-type: none"> Appuyer plusieurs fois sur la touche de démarrage sans mettre un nouveau sac. Relever l'abattant après chaque tentative. Si cela ne résout pas le problème, attendre que les toilettes aient refroidi (l'extracteur s'arrête). <p>Lorsque les toilettes sont froides :</p> <ol style="list-style-type: none"> Relever l'abattant et appuyer sur Start/Marche. L'abattant s'ouvre. Retirer ce qui bloque.
La boîte à cendres n'est pas correctement en place.	Clignotant	Clignotant		3 bips	Positionner correctement le bac à cendres.
Erreur du capteur de température		Clignotant	Clignotant	Continu	Essayer de remettre en marche les toilettes. Si cela ne marche pas, contacter l'atelier ou le distributeur.
Interrupteur thermique déclenché.		Clignotant		Continu	Réinitialiser l'interrupteur thermique (voir la section qui lui est consacrée).
La boîte à cendres est pleine. Les toilettes ne peuvent pas être utilisées.	Allumé	Allumé		Fixe	Vider puis nettoyer la boîte à cendres.
Aucun signal lumineux ou sonore.					Vérifier que le commutateur principal de la caravane/du camping-car est enclenché. Vérifier que la tension 12 V est connectée.
Odeur de brûlé à l'extérieur de la caravane/du camping-car.					Nettoyer le catalyseur. Vérifier que le tuyau d'échappement est ouvert.
Tension basse < 11,0 V.			Clignotant		Résoudre le problème de l'alimentation 12 V du camping-car/de la caravane.
Tension minimum permise < 10,5 V. L'alimentation en gaz est coupée.			Clignotant (au bout de 1,5 minute)	10 bips, récurrents	Résoudre le problème de l'alimentation 12 V du camping-car/de la caravane.
Tension dangereusement basse. Couper immédiatement l'alimentation				10 bips	Résoudre le problème de l'alimentation 12 V du camping-car/de la caravane.



REMARQUE!

Les toilettes sont réinitialisées en appuyant pendant 8 secondes sur le bouton Start/Marche. Relâchez le bouton lorsque vous entendez un long bip.

RÉINITIALISATION DE L'INTERRUPTEUR THERMIQUE

Si la température dans la chambre est trop élevée, un interrupteur thermique se déclenche. Pour le réinitialiser, tirez sur les toilettes pour les détacher de la cloison arrière. L'interrupteur thermique se trouve sur le côté droit (illustration 14). Appuyez sur le bouton. Lorsque vous entendez et sentez un clic (retour tactile), cela signifie que l'interrupteur thermique est réinitialisé. Si vous n'obtenez pas de retour tactile, cela signifie que le voyant jaune est allumé pour d'autres raisons.

ENTRETIEN

Cinderella Travel fonctionne dans un environnement acide et la chambre à incinération atteint des températures élevées. Il est donc possible qu'un entretien soit parfois nécessaire. N'oubliez pas que l'entretien préventif retardera considérablement les besoins de maintenance.

Si vous avez besoin de faire réviser vos toilettes, contactez votre revendeur en indiquant le numéro de série des toilettes afin que l'atelier connaisse le modèle et les pièces de rechange éventuelles nécessaires pour mener à bien toute réparation de vos toilettes. Veuillez vous rendre sur notre site www.cinderellaeco.com pour consulter la liste des ateliers d'entretien.

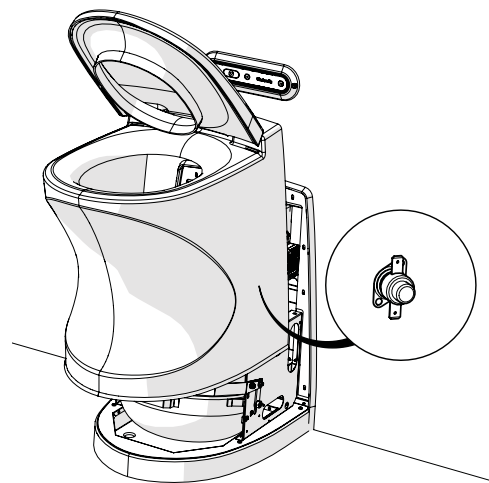
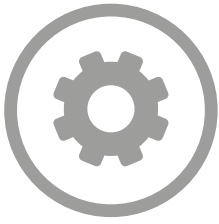


Illustration 14

GARANTIE



Que couvre la garantie ?

La présente garantie couvre les défauts de pièces et de main d'œuvre de vos toilettes à incinération Cinderella Travel selon les conditions, pendant la période et avec les exceptions spécifiées ci-dessous.

Qu'est-ce que la garantie ne couvre pas ?

Cette garantie ne couvre pas l'usure normale ou les dommages dus à des accidents, des catastrophes naturelles, un usage abusif, une mauvaise utilisation, le non-respect des instructions du fabricant ou un entretien inadéquat. Les dommages consécutifs et indirects ne sont pas couverts par la présente garantie. Cinderella Eco Group n'offre pas de garantie « sur place », c'est-à-dire que les toilettes doivent être apportées à un distributeur agréé qui se chargera de l'entretien. Si cela n'est pas possible, il se peut que le distributeur vous facture les frais de transport.

Quelle est la durée de la garantie ?

La présente garantie est valable trois (3) ans à compter de la date d'achat d'origine.

Comment organiser un entretien ?

Pour organiser un entretien, contactez votre revendeur de caravane/camping-car ou rendez-vous chez un fournisseur de services agréé. Les options disponibles dépendent du pays dans lequel l'entretien est souhaité.

Une preuve d'achat peut vous être demandée lorsque vous déposez une réclamation au titre de la présente garantie.

Pour de plus amples informations concernant la garantie, veuillez vous reporter à notre page Web : www.cinderellaeco.com

Cinderella Eco Group

Sjøvikvegen 67
NO-6475 Midsund
Norvège
www.cinderellaeco.com

ÍNDICE

Seguridad	75
Gas en caravanas y autocaravanas	75
Información general sobre la seguridad de Cinderella Travel.....	75
Información técnica	76
Descripción.....	76
Cómo funciona el inodoro	78
Uso (operación)	78
Antes de usar	78
Uso del inodoro	78
Información general sobre el uso de Cinderella Travel.....	78
Vaciado del recipiente de cenizas.....	79
Uso en invierno.....	80
Señales luminosas.....	80
Mantenimiento	81
Limpieza del recipiente de cenizas.....	81
Limpieza de la taza	81
Limpieza del convertidor catalítico.....	82
Solución de problemas	83
Rearme del termostato	84
Garantía	85

SEGURIDAD

LEA LAS INSTRUCCIONES ATENTAMENTE. POR FAVOR, CONSERVE ESTE MANUAL DE INSTRUCCIONES PARA SU USO FUTURO.

GAS EN CARAVANAS Y AUTOCARAVANAS

El uso y el almacenamiento de gas requiere precaución. Revise la bombona, las mangueras, los tubos y los accesorios antes de usarlos.

En los campings, la gente se encuentra muy próxima entre sí y utiliza materiales combustibles, estufas, parrillas y otras fuentes de ignición. Por lo tanto, es muy conveniente que conozca las normas de seguridad del camping y que se asegure de tener un detector de humo activado y un extintor de incendios en la caravana.

Las bombonas de propano siempre deben estar en posición vertical y nunca deben exponerse a un calor excesivo ni al sol. Esté atento para detectar posibles fugas de propano. Recuerde que el propano es más pesado que el aire. En caso de fuga, el gas permanecerá, por lo tanto, a nivel del suelo dentro del vehículo. Las fugas de gas pueden hacer que el aire sea explosivo y puede entrar en ignición en presencia de una llama viva, un cigarrillo encendido o una chispa eléctrica.

Busque posibles fugas aplicando agua jabonosa a las mangueras y a los acoplamientos de los tubos. Al abrir el gas, se formarán burbujas en aquellos puntos en los que haya fugas de gas. Si se identifica una fuga, hay que cortar el suministro de gas. No use el inodoro hasta que se haya reparado la fuga.

Cierre el gas en la bombona cuando la unidad no esté en uso, y recuerde desconectar el regulador durante largos períodos de ausencia.

Se recomienda instalar un detector de gas en el alojamiento de la unidad, si no está ya instalado.

El vehículo se puede conducir mientras el inodoro está en modo de incineración. Por seguridad, recomendamos instalar un regulador de presión de gas con sensor de impacto cerca de la bombona o el tanque de gas.

Mantenga siempre el aparato de gas en buen estado, pero no intente reparar ningún daño o defecto por su cuenta.

En caso de avería, póngase en contacto con su proveedor.

INFORMACIÓN GENERAL SOBRE LA SEGURIDAD DE CINDERELLA TRAVEL

Cinderella Travel está equipado con varios elementos de seguridad:

- Hay una válvula controlada electrónicamente que corta el suministro de gas siempre que el inodoro no está en modo de incineración.
- El sistema monitoriza la incineración y un sensor de llama detecta si hay fuego en el quemador. Si el quemador no se enciende, se corta el suministro de gas y se activa una alarma sonora y luminosa.
- El sensor de llama corta el suministro de gas si la llama se apaga debido a una corriente de aire en el quemador o a un desequilibrio de la proporción de gas y aire.
- La tapa de la taza y la trampilla de la cámara de incineración no se podrán abrir hasta que la tapa del inodoro esté cerrada. Esto impide el acceso a la cámara de incineración.
- La incineración se interrumpe al abrir la tapa del inodoro.
- Si la temperatura en el interior de la cámara del inodoro es demasiado alta, se dispara el termostato y se detiene la incineración. Para poder volver a usar el inodoro, es necesario rearmar previamente el termostato. Véase la sección sobre solución de problemas.
- La carcasa exterior del inodoro está hecha de un material compuesto retardante del fuego.
- La incineración se desactiva si el recipiente de cenizas no está en la posición correcta.
- El ventilador del inodoro está programado para funcionar hasta que la temperatura dentro de la cámara de incineración se haya enfriado lo suficiente.
- La cámara de incineración y el tubo de salida de gases están aislados con material capaz de soportar altas temperaturas.
- Todos los inodoros se prueban antes de su distribución.

INFORMACIÓN TÉCNICA

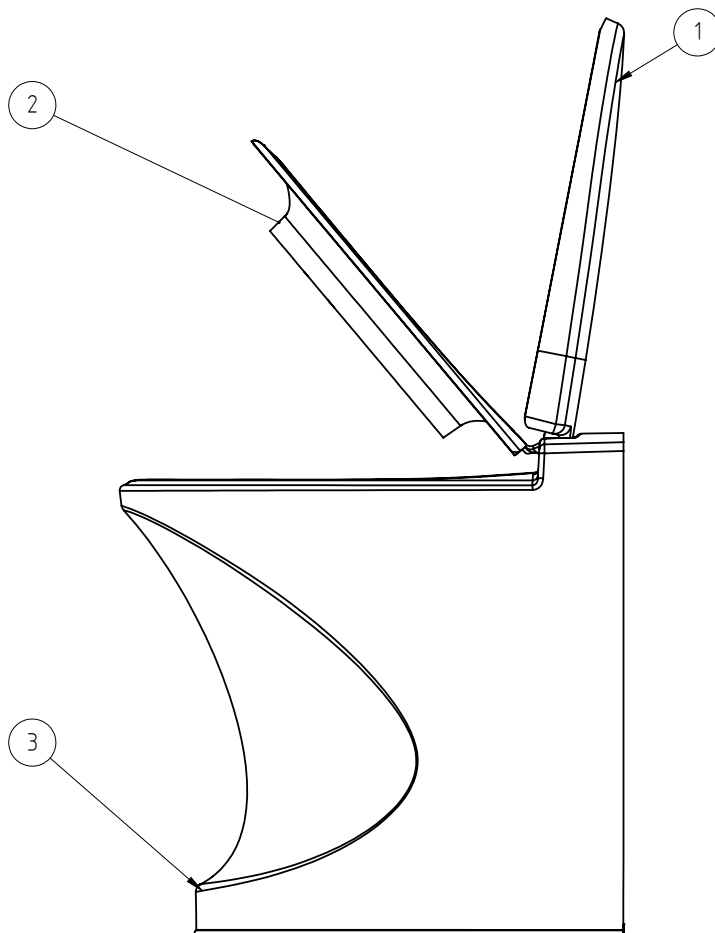
Peso	20 kg
Altura	540 mm
Altura del asiento	490 mm
Anchura	390 mm
Profundidad	590
Capacidad	3-4 visitas por hora
Uso energético en espera (standby)	0.005 A
Carga Máxima	4.0 A
Uso energético durante la incineración	1.3 A
Uso de gas	140-180 g por cada incineración
Extractor	12V DC
Gas	Propano (30 mBar de presión)
Fuente de alimentación	12V DC / 4 Amp (11-14.4V)
Efecto máximo de quemador	2,7 kWh

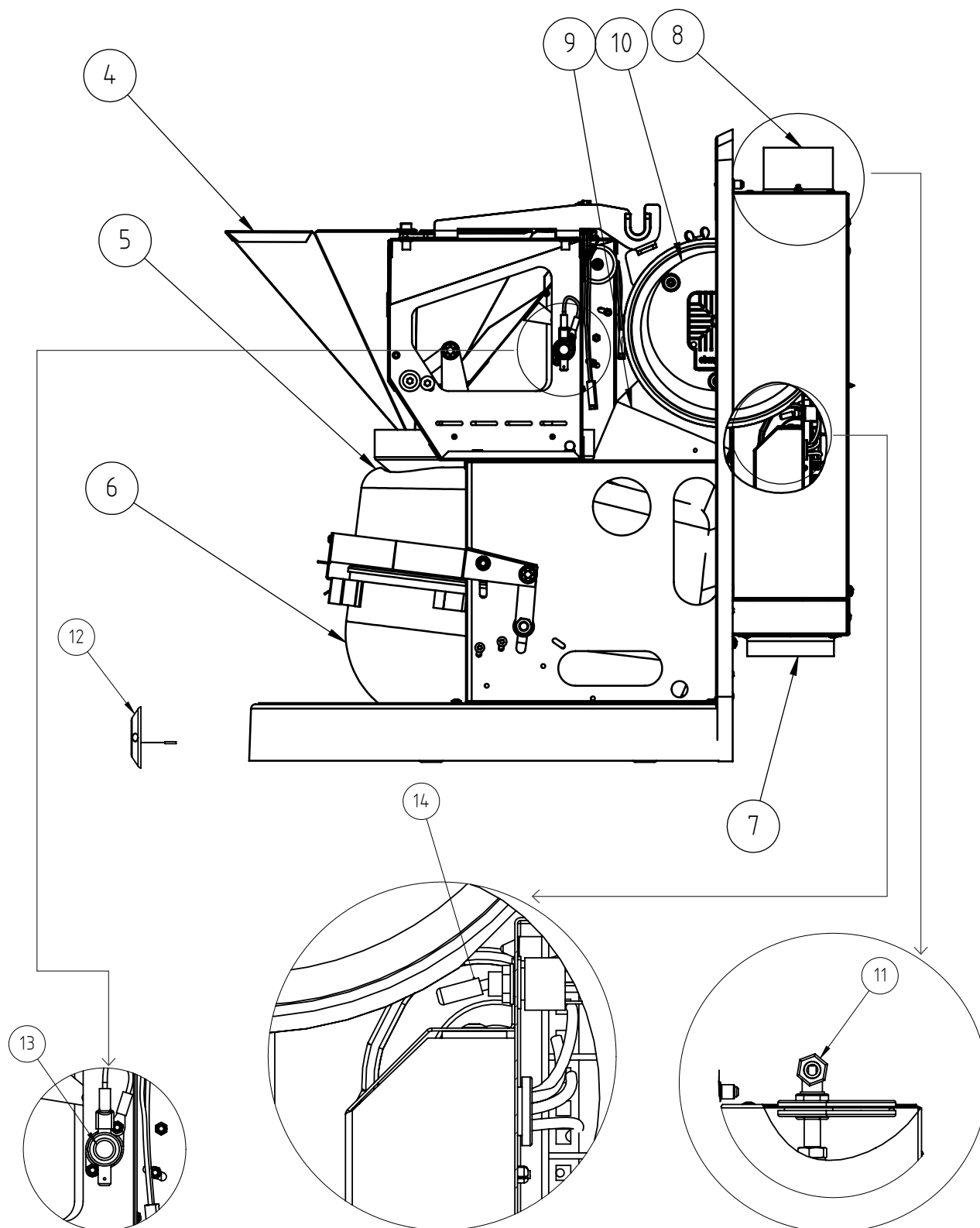


¡ADVERTENCIA!

No utilice el inodoro con más frecuencia de la capacidad máxima indicada. Si lo hace, la cámara de incineración se puede desbordar, oler o tener fugas y se puede causar daños en el inodoro.

DESCRIPCIÓN





1	Tapa	8	Salida de gases
2	Asiento	9	Convertidor catalítico
3	Carcasa	10	Ventilador
4	Taza	11	Conexión de gas
5	Cámara de incineración	12	Panel de control
6	Recipiente de cenizas	13	Protección contra alta temperatura
7	Entrada de aire	14	Interruptor principal

CÓMO FUNCIONA EL INODORO

Cuando la visita al inodoro termina, el forro de la taza con su contenido cae a la cámara de incineración. El intenso calor y el aire que se aplican hacen que el líquido se evapore y los demás residuos se quemen y se conviertan en cenizas. El calor residual y los humos se liberan a través del tubo de salida de gases. El convertidor catalítico evita los olores desagradables.

USO (OPERACIÓN)

ANTES DEL USO

1. Asegúrese de que la fuente de alimentación esté conectada. El interruptor principal de la caravana o autocaravana debe estar encendido durante todo el proceso de incineración (el panel de control de la caravana o autocaravana debe indicar "on").
2. Asegúrese de que el propano esté conectado.
3. Use sólo propano o GLP.

USO DEL INODORO

1. Levante la tapa y el asiento. La luz roja parpadea y la luz verde se enciende. El ventilador de salida de gases se pone en marcha automáticamente.
2. Coloque un forro de taza dentro de la taza, de tal manera que la costura del forro quede alineada con la "costura" de la taza. Recuerde usar un forro de taza nuevo para cada visita (Ilustración 1).
3. Baje el asiento. El inodoro está listo para su uso (Ilustración 2).
4. Use el inodoro. Para pequeñas cantidades de residuos, añada un vaso de agua para que el forro pese lo suficiente como para deslizarse hacia abajo hasta la cámara de incineración.
5. Cierre la tapa del inodoro.
6. Presione el botón de inicio (Ilustración 3). Cuando la trampilla se cierra, comienza la incineración. Entonces, el inodoro ya está listo para un nuevo uso.
7. Una luz amarilla en el panel de control indica que está teniendo lugar la incineración. La luz estará encendida durante todo el proceso de incineración.

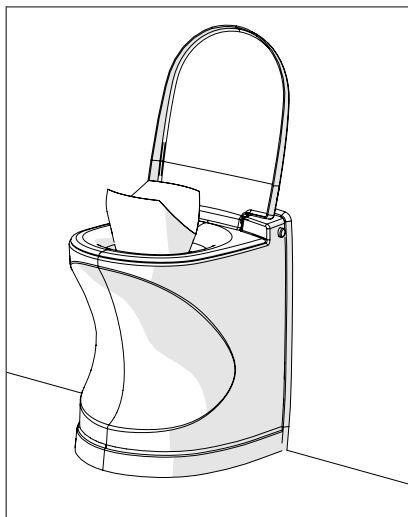


Ilustración 1

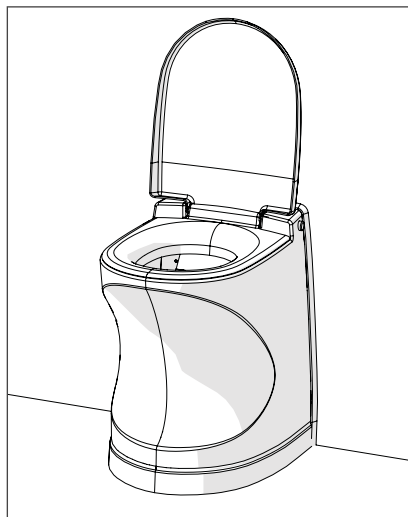


Ilustración 2

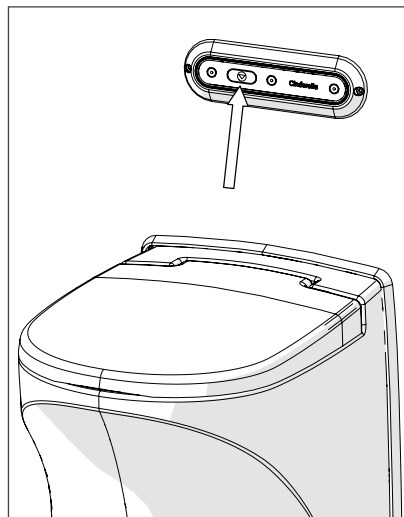


Ilustración 3

INFORMACIÓN GENERAL SOBRE EL USO DE CINDERELLA TRAVEL

Asegúrese de que el recipiente de cenizas esté en la posición correcta.

1. Coloque siempre un forro de taza en la taza antes de usar el inodoro. La tapa del inodoro debe estar siempre cerrada cuando el inodoro no esté en uso.
2. La incineración no puede iniciarse hasta que la tapa esté cerrada.
3. Si se abre la tapa, se detiene el proceso de incineración. Entonces, el inodoro ya está listo para el uso. Después de cada visita, la incineración se reinicia pulsando el botón de inicio en el panel de control. El inodoro detecta automáticamente que la incineración ha terminado.
4. La luz amarilla del panel de control se apaga al terminar la incineración. El ventilador se detiene cuando la temperatura en la cámara de incineración ha descendido lo suficiente (1-1,5 horas después de terminar la incineración).

VACIADO DEL RECIPIENTE DE CENIZAS

Se recomienda vaciar el recipiente de cenizas una vez por semana o cuando se encienda la señal luminosa (luces intermitentes amarillas y rojas alternas en el panel de control) que indica que hay que vaciarlo, lo cual sucede después de aproximadamente 70 ciclos de incineración.

1. Espere a que el inodoro se haya enfriado y el ventilador se haya detenido. No desconecte la alimentación de 12 V.
2. Extraiga la carcasa del inodoro de su conexión con la pared posterior. Para tirar mejor de la carcasa, coloque los dedos alrededor de los "botones" (Ilustración 4).
3. La carcasa se moverá automáticamente hacia fuera y hacia arriba con la ayuda del mecanismo de elevación interior, y luego permanecerá en la posición de servicio.
4. Afloje el muelle de cierre y levante el pestillo de la parte delantera del recipiente de cenizas (Ilustración 5).
5. Extraiga el recipiente de cenizas. Retire el depósito del recipiente de cenizas y vacíe la ceniza (Ilustración 6).
6. Limpie las sales de orina y los residuos quemados del contenedor extraíble. Vea cómo se limpia el contenedor extraíble de la manera más efectiva en la sección de "Mantenimiento".
7. Vuelva a colocar el contenedor extraíble en el recipiente de cenizas.
8. Empuje el recipiente de cenizas hasta el fondo para que quede fijo en su posición.
9. Tire del pestillo para volver a colocarlo en su posición y ponga el recipiente de cenizas en su sitio.
10. Baje la carcasa presionando con ambas manos contra la parte de atrás de la cara superior de la tapa del inodoro (Ilustración 7). Asegúrese de que el marco de la pared del inodoro (la moldura blanca) rodea el borde de la carcasa.

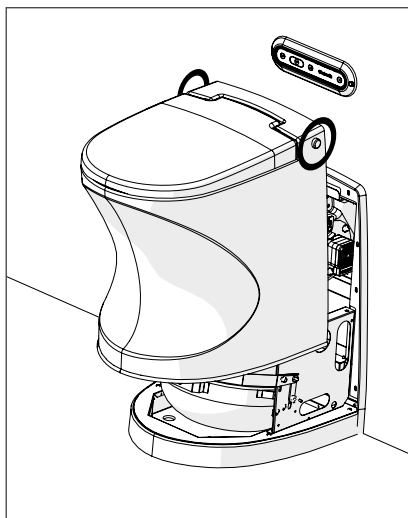


Ilustración 4

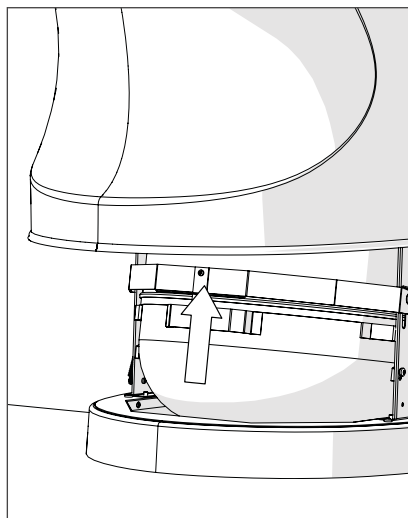


Ilustración 5

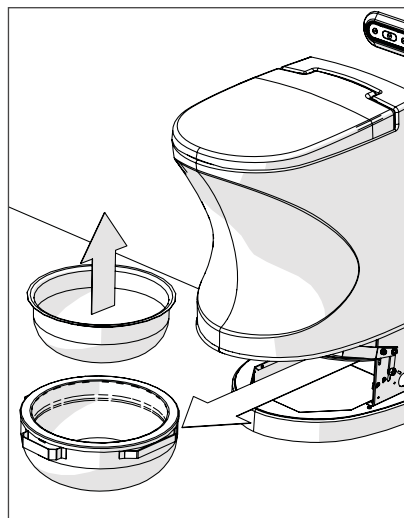


Ilustración 6

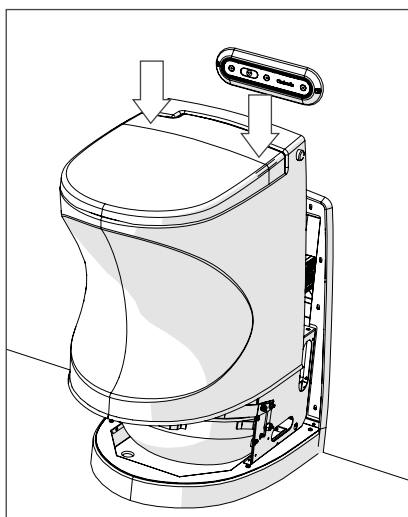


Ilustración 7

! NOTA!

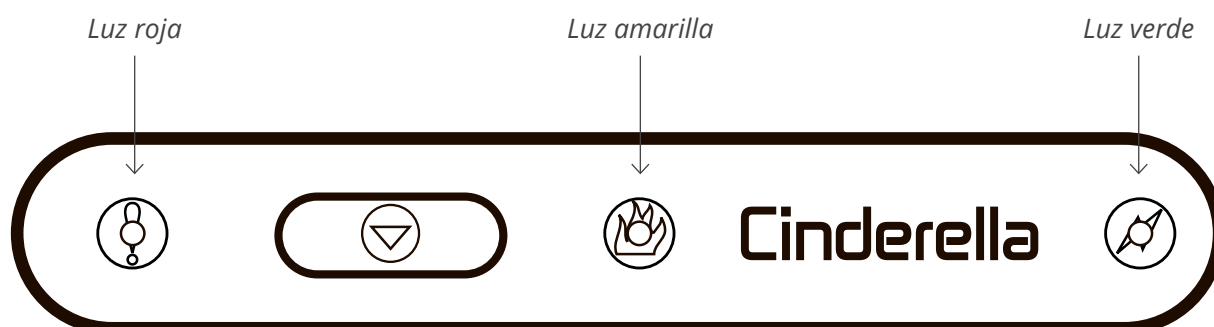
Los restos de ceniza están limpios y exentos de bacterias y patógenos. Normalmente se pueden vaciar como residuos domésticos. Sin embargo, puede haber restricciones en ciertos países, por lo que le rogamos que se informe sobre la normativa correspondiente del país en que se encuentre y se deshaga de las cenizas conforme a esas normas.

USO EN INVIERNO

En el caso de que la unidad se utilice en una zona donde sea probable que se acumule nieve en el techo de la caravana o autocaravana, por favor, utilice la prolongación de la salida de gases que se suministra con el inodoro. Así la salida de gases no se bloqueará con la nieve, lo que reduciría la circulación de aire y perjudicaría la incineración. NOTA: Recuerde retirar la prolongación de la salida de gases durante el transporte.

SEÑALES LUMINOSAS

Hay tres luces en el panel de control: roja, amarilla y verde. Cuando una de estas luces está encendida, indica en qué modo de funcionamiento se encuentra el inodoro o informa de un error (véase la sección aparte sobre solución de problemas).



TIPO DE LUZ	SEÑAL LUMINOSA	ESTADO
● Luz verde	La luz se mantiene encendida	Inodoro conectado a una alimentación de 12 V
● Luz amarilla	La luz se mantiene encendida	Incineración en curso. La incineración se detiene si se abre la tapa del inodoro, y el inodoro estará entonces listo para su uso.
● Luz roja	Intermitente	La tapa del inodoro está abierta.
●● Luces roja y amarilla	Intermitentes alternativamente	Se recomienda vaciar el recipiente de cenizas.

MANTENIMIENTO

Cinderella funciona en un entorno extremo, con temperaturas elevadas, ácidos y gases de escape. Esto da lugar a la necesidad de un mantenimiento preventivo del recipiente de cenizas, las tuberías, el ventilador y el convertidor catalítico. Se recomienda utilizar un taller autorizado de caravanas para realizar el mantenimiento correspondiente a las revisiones periódicas de la caravana o autocaravana.

NO OBSTANTE, LA MAYOR PARTE DEL MANTENIMIENTO LO PUEDE LLEVAR A CABO USTED MISMO:

LIMPIEZA DEL RECIPIENTE DE CENIZAS



- El recipiente de cenizas sólo debe vaciarse y limpiarse cuando el inodoro se haya enfriado lo suficiente.
- No utilice detergentes que contengan cloro ni otras sustancias abrasivas, ya que esto puede corroer el contenedor extraíble y dañar el convertidor catalítico.

Se llevará a cabo cada vez que se vacíe el recipiente de cenizas (véase la descripción en la página 79).

1. Retire el recipiente de cenizas.
2. Retire el contenedor extraíble del recipiente de cenizas y vacíe la ceniza.
3. Vierta agua caliente en el contenedor extraíble para disolver los residuos quemados y las sales de orina. Deje el agua durante una hora.
4. Vierta el agua y cepille cualquier residuo del contenedor extraíble. No raspe con ningún objeto metálico ya que esto puede dañar la superficie.

LIMPIEZA DE LA TAZA



- El inodoro tiene que haberse enfriado.
- No utilice detergentes que contengan cloro ni otras sustancias abrasivas.
- No use ningún utensilio que pueda rayar la superficie metálica de la taza.

Se llevará a cabo según sea necesario o cada tres vaciados del recipiente de cenizas.

1. Abra la tapa del inodoro. Presione y mantenga presionado el botón de inicio hasta que se abra la trampilla de la taza.
2. La trampilla de la taza permanecerá abierta hasta que la tapa del inodoro se cierre de nuevo. Una función de seguridad asegura que la trampilla sólo puede colocarse en posición abierta cuando el inodoro está suficientemente frío.
3. Limpie la taza con un paño suave (Ilustración 8). Alternativamente, puede usar toallas de papel y luego echarlas en la cámara de incineración después de la limpieza. Cuando termine, cierre la tapa del inodoro. Entonces se cerrará la trampilla de la cámara de incineración.

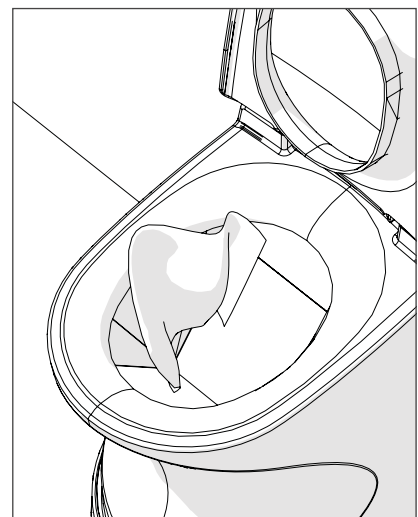


Ilustración 8

LIMPIEZA DEL CONVERTIDOR CATALÍTICO

Se llevará a cabo si se sospecha que la incineración es deficiente o cuando se haya completado un ciclo de 30 días de uso.

1. Espere a que el inodoro se enfríe y el ventilador se detenga.
2. Extraiga la carcasa del inodoro de la pared posterior. La carcasa se moverá automáticamente hacia fuera y hacia arriba con la ayuda de un mecanismo de elevación interior y permanecerá en la posición de servicio.
3. Levante completamente la carcasa para extraerla del mecanismo de elevación (Ilustración 9).
4. Afloje el tornillo de la tapa del ventilador (Ilustración 10).
5. Quite la tapa del ventilador. Afloje el tornillo de retención girándolo ligeramente hacia atrás. Entonces, levántelo (Ilustración 11).
6. Retire el tubo del catalizador con el convertidor catalítico (Ilustración 12).
7. Enjuague el convertidor catalítico en agua caliente (Ilustración 13).
8. Vuelva a montar las piezas en orden inverso. Asegúrese de que el tubo del catalizador se coloca en la misma posición que estaba antes de desmontarlo.
9. Vuelva a colocar la carcasa del inodoro en el mecanismo de elevación.
10. Ejecute un ciclo de incineración en seco (presionando el botón de inicio) para secar el convertidor catalítico.

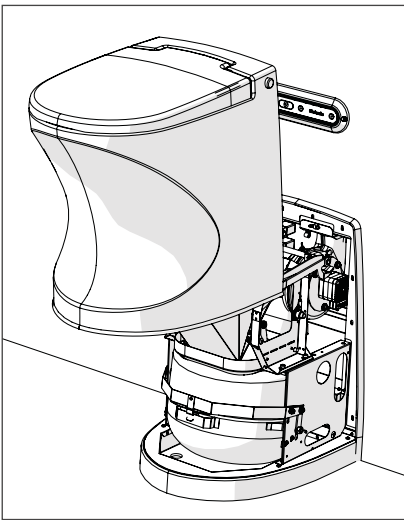


Ilustración 9

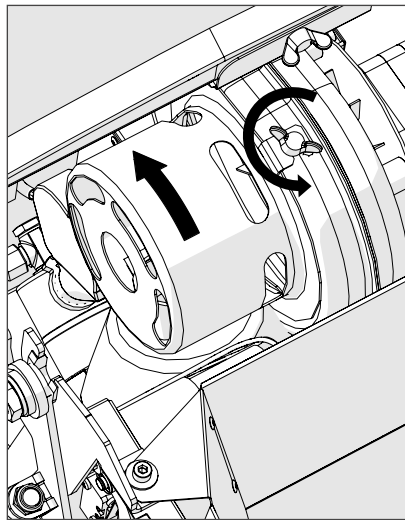


Ilustración 10

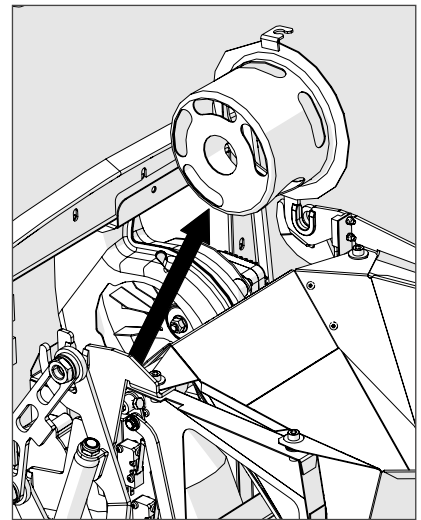


Ilustración 11

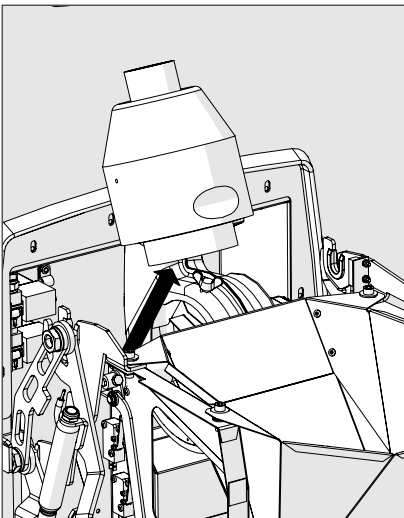


Ilustración 12

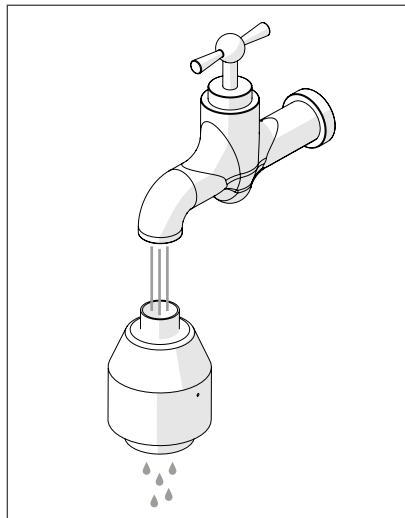


Ilustración 13

SOLUCIÓN DE PROBLEMAS

Error	● Luz roja	● Luz amarilla	● Luz verde	Señal sonora	Solución
Problema con el ventilador de salida de gases.	Intermitente		Intermitente	10 pitidos	<ol style="list-style-type: none"> 1. Reinicie el inodoro. 2. Abra y cierre la tapa del inodoro. 3. Inicie la incineración. 4. Si el error se repite, póngase en contacto con el concesionario o con el servicio técnico.
Problema con el ventilador de gas.	Intermitente	Intermitente	Intermitente	10 pitidos	<ol style="list-style-type: none"> 1. Reinicie el inodoro. 2. Abra y cierre la tapa del inodoro. 3. Inicie la incineración. 4. Si el error se repite, póngase en contacto con el concesionario o con el servicio técnico.
Problema con el quemador de gas después de 3 intentos de encenderlo.		Intermitente		Continuo pitidos	<ol style="list-style-type: none"> 1. Compruebe que el gas está conectado. 2. Conéctelo si es necesario y reinicie el inodoro. 3. Rearme el termostato si es necesario. 4. Abra y cierre la tapa del inodoro. 5. Inicie la incineración. 6. Si el error se repite, póngase en contacto con el concesionario o con el servicio técnico.
La trampilla está atascada.	Intermitente			10 pitidos	<p>Cuando el inodoro está caliente:</p> <ol style="list-style-type: none"> 1. Presione el botón de inicio varias veces sin insertar un nuevo forro de taza. 2. Abra la tapa después de cada intento. Si esto no funciona, espere a que el inodoro se enfríe (el ventilador se detendrá). <p>Cuando el inodoro está frío:</p> <ol style="list-style-type: none"> 1. Abra la tapa del inodoro y presione "Start". La tapa se abre. 2. Elimine la causa de la obstrucción.
El recipiente de cenizas no está en la posición correcta.	Intermitente	Intermitente		3 pitidos	Coloque el recipiente de cenizas en la posición correcta.
Error en el sensor de temperatura, cortocircuito o avería.		Intermitente	Intermitente	Continuo	Trate de reiniciar el inodoro. Si esto no funciona, póngase en contacto con el concesionario o con el servicio técnico.
Termostato disparado.		Intermitente		Continuo	Rearme el termostato (ver sección aparte).
El recipiente de cenizas está lleno. El inodoro no está listo para usar.	Iluminado	Iluminado		Continuo	Vacíe y limpie el recipiente de cenizas.
Sin luces, sin sonido.					Compruebe que el interruptor principal de la caravana o autocaravana esté encendido. Compruebe que la tensión de 12 V esté conectada.
Olor a quemado en el exterior de la caravana o autocaravana.					Limpie el convertidor catalítico. Asegúrese de que el tubo de salida de gases esté abierto.
Tensión baja < 11,0 V.			Intermitente		Solucione el problema de alimentación de 12 V de la caravana o autocaravana.
Tensión mínima admisible < 10,5 V. El suministro de gas está cerrado.			Intermitente (después de 1,5 min)	10 pitidos, recurrentes	Solucione el problema de alimentación de 12 V de la caravana o autocaravana.
Tensión excesivamente baja. Cierre inmediato.				10 pitidos	Solucione el problema de alimentación de 12 V de la caravana o autocaravana.



Reinicie el inodoro manteniendo pulsado el botón de inicio durante 8 segundos. Puede soltar el botón cuando oiga un pitido largo.

REARME DEL TERMOSTATO

Si la temperatura de la cámara se eleva demasiado, se disparará el termostato. Para rearmarlo, sitúese frente al inodoro y extraiga la carcasa del inodoro de la pared posterior. El termostato está en el lado derecho (Ilustración 14). Presione el botón. Cuando oiga y sienta un clic (respuesta táctil), el termostato se ha rearmado. Si no hay respuesta táctil, son otras las razones por las que se ha iluminado la luz amarilla.

SERVICIO

Cinderella Travel funciona en un ambiente ácido y la cámara de incineración alcanza temperaturas elevadas. Por lo tanto, en algún momento será necesario un servicio de mantenimiento o reparación. Recuerde que el mantenimiento preventivo retrasará considerablemente la necesidad de servicio.

Si el inodoro requiere un servicio, póngase en contacto con su concesionario e indique el número de serie del inodoro para que el taller conozca el modelo y las piezas de repuesto que pueden ser necesarias para repararlo. Visite www.cinderellaeco.com en donde encontrará una lista de nuestros talleres de servicio.

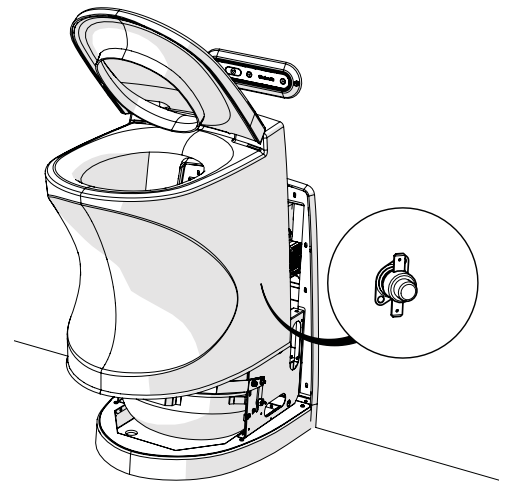


Ilustración 14

GARANTÍA



¿Qué cubre esta garantía?

Esta garantía cubre los defectos de materiales o mano de obra de su inodoro de incineración Cinderella en las condiciones, durante el período y con las excepciones que se establecen a continuación.

¿Qué es lo que no cubre esta garantía?

Esta garantía no cubre el desgaste normal, ni los daños causados por accidentes, fuerza mayor, uso excesivo, mal uso, incumplimiento de las instrucciones del fabricante o mantenimiento inadecuado. Los daños consecuentes e incidentales no son recuperables en virtud de esta garantía. Cinderella Eco Group no ofrece garantía "in situ". Esto significa que el inodoro se debe llevar a un concesionario autorizado que pueda hacerse cargo del servicio. Si no es posible llevarlo, el concesionario puede cobrar por el transporte.

¿Cuánto tiempo dura la garantía?

Esta garantía tiene una duración de tres (3) años a partir de la fecha original de compra.

¿Cómo se solicita un servicio?

Para concertar un servicio, póngase en contacto con su concesionario de autocaravanas o visite un proveedor de servicio autorizado. Las opciones de servicio disponibles dependen del país en el que se solicita el servicio.

Es posible que se le pida que proporcione una prueba de los datos la compra cuando haga una reclamación en virtud de esta garantía.

Para más información sobre la garantía, por favor, consulte nuestra página web: www.cinderellaeco.com

Cinderella Eco Group

Sjøvikvegen 67
NO-6475 Midsund
Noruega
www.cinderellaeco.com



Cinderella[®]

INCINERATION TOILETS