

## N4000 series

### spare part list

#### N4080

Front	2
Controls	30
Back	40

#### N4090

Front	4
Controls	32
Back	40

#### N4097

Front	6
Controls	34
Back	40

#### N4100

Front	8
Controls	32
Back	42

#### N4104

Front	10
Controls	34
Back	42

#### N4108

Front	12
Controls	32
Back	40

#### N4112

Front	14
Controls	34
Back	40

#### N4141

Front	18
Controls	38
Back	44

#### N4142

Front	20
Controls	38
Back	44

#### N4145

Front	22
Controls	32
Back	46

#### N4150

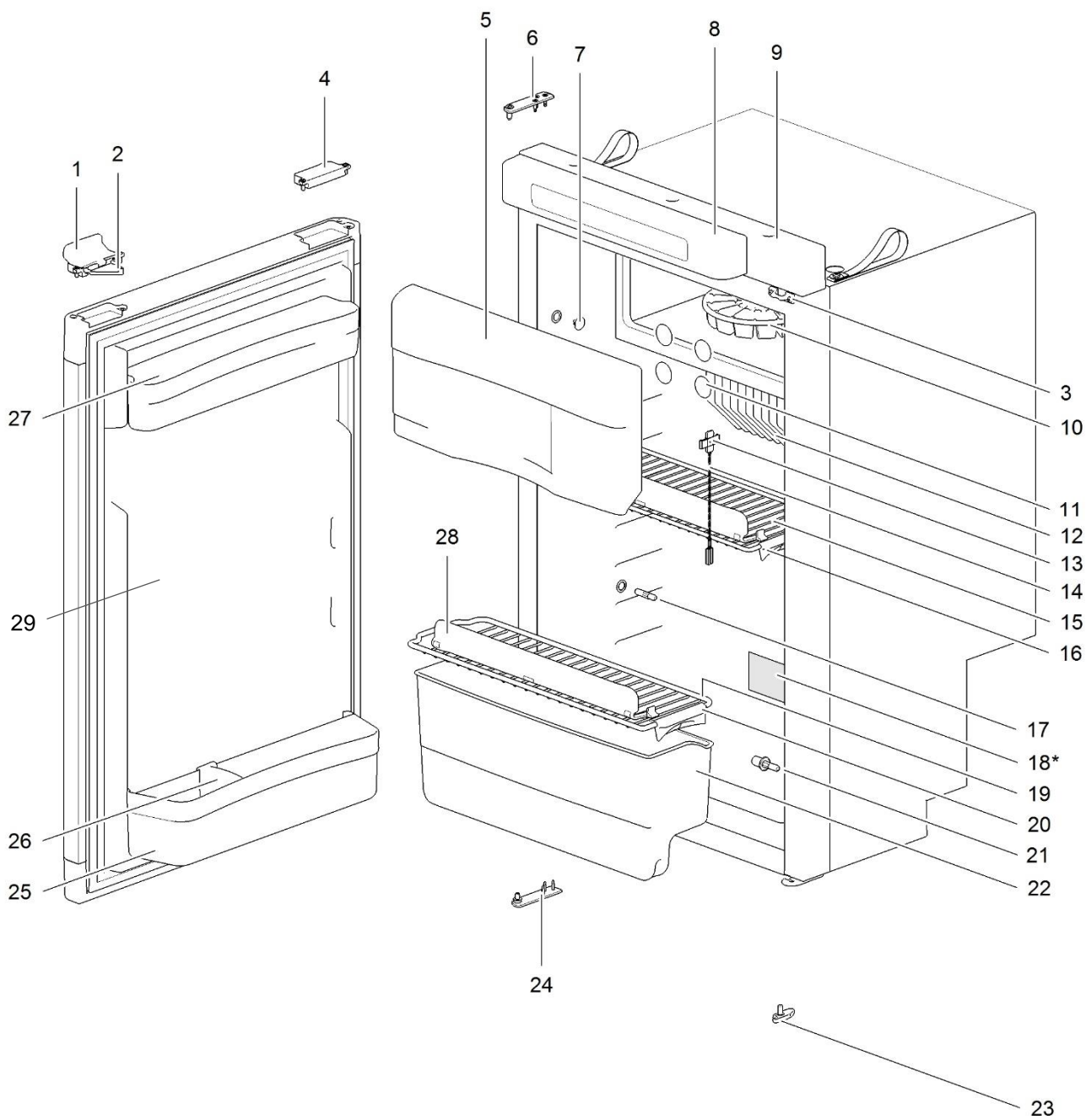
Front	24
Controls	34
Back	46

#### N4170

Front	26
Controls	32
Back	46

#### N4175

Front	28
Controls	34
Back	46



18\*

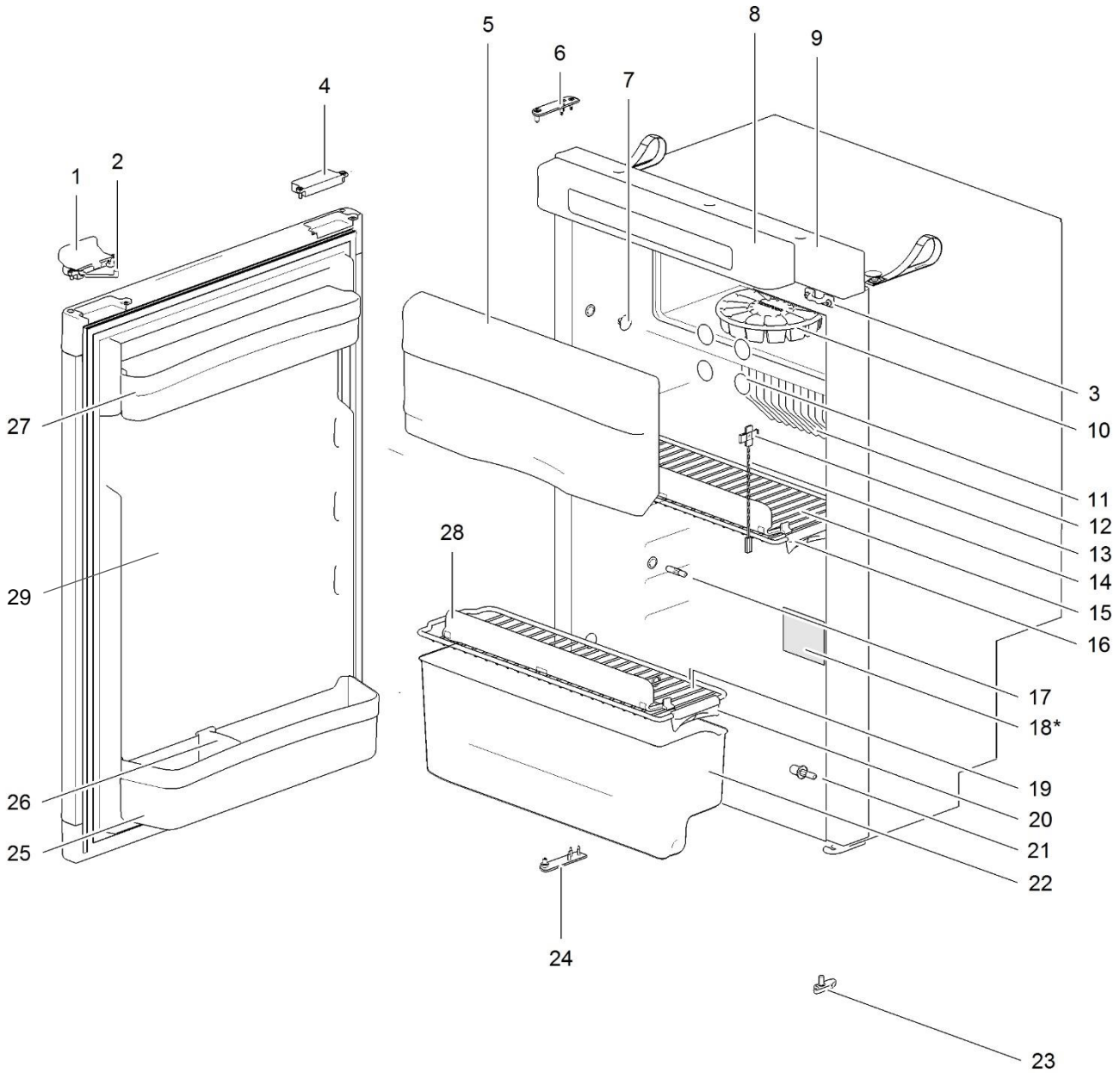
Model No. <u>                    </u> Type <u>CE</u> <u>EN</u> <u>EN</u> Serie No. <u>                    </u> Climate Class <u>SN</u>	
230 V AC, 50 Hz, 15 A, 1150 W, 12 VDC, 1.60 W, 58R12	
Inside Volume Outside Volume Volume (Net) Static Volume	106 L
Factory Volume Compressor Oil Weight Volume Charge Weight Height Width Depth	200321-20-0037 white (35P) 0.300/24, 30 ml/kg 102 L 602 602 602
CE 0863 003207 Part No. 034002	034002
ABSORBER NH3 + 154.0 g NA3CFO6 + 10.1 g g max = 21 kg	030819
CFC/HCFC FREE / FRON / CFCW FREE	0020, Swiss/Engl, EUR

SPECIMEN

LE974\_N3080-front\_1015-V03

	Spare part number	Spare part number	Colours available
1	Latch		27
2	Storage strap (2x)	626986	27
3	Strike plate		
4	Pocket cover		
5	Freezer door		08
	Hinge freezer door (2x)	624680	08
6	Hinge plate		
7	Cap (2x)	623622	08
8	Control panel	<i>Refer to page 30</i>	
9	Mounting box		
10	Ice cube tray		
11	Cap freezer bolt (6x)	624479	08
12	Fin		
13	Fin clip		
14	Thermistor		
15	Shelf 416 x 176	690800	08
16	Clip shelf small	623626	08
17	Hinge pin		
18	Identification label *		
19	Shelf 416 x 130	690801	08
20	Clip shelf small	623626	08
21	Hinge pin		
22	Vegetable bin	690802	08
23	Latch bottom	624001	27
24	Hinge plate		
25	Door bin flat wide	690804	08
26	Bottle retainer	626989	12
27	Door bin flat shallow	690803	08
28	Shelf food retainer	691188	08
29	Door	63502927R	
	Door panel		62931027SP

\* With a request for information or service, always provide the serial number of the refrigerator. The serial number is the code below the barcode on the identification label.



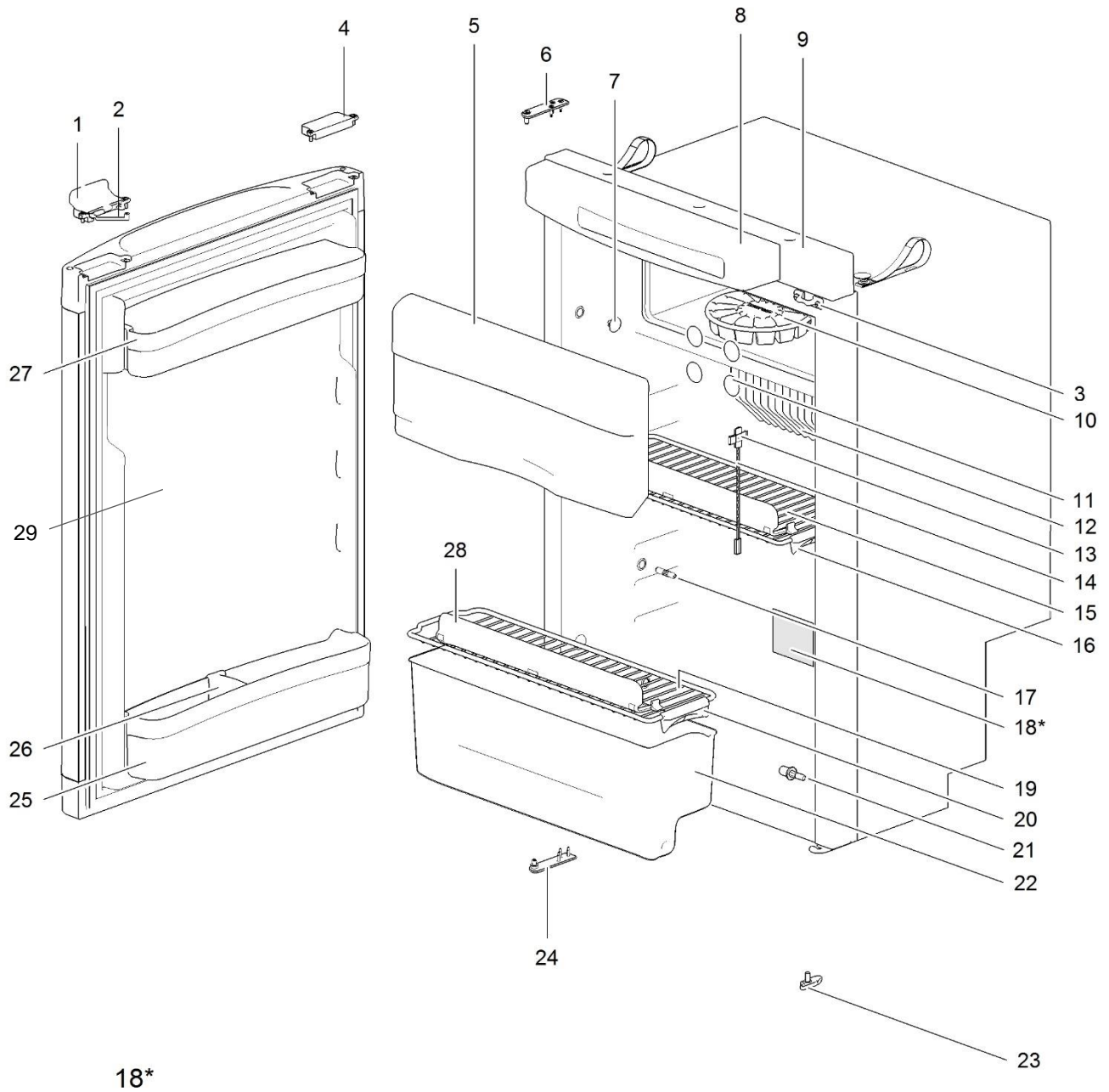
18\*

<b>TRISTAR</b>		Typ: <b>ETB</b>	CE
Model No:	209 980	209 980 001	209 980 002
Serie No:			
209 980 001		209 980 002	209 980 003
Gravura Tipologia	100 L	200 L	250 L
Refrigerante	R600a	R600a	R600a
Consumo Anual (kWh)	108	108	108
Garantía Anual (h)	1000	1000	1000
Clase Energética	1000	1000	1000
Clase de Eficiencia	1000	1000	1000
		E013N1000811	
CE 0085 EN3007	Part No:	034007	
ABSORBER: R600a + 100 g		MAXIMUM: 100 g	21/2011
CFC/HCFC/FREE (FOM, FOM, FOM)		000010	000010

LE978\_N3090-front\_1015-V03

	Spare part number	Spare part number	Spare part number	Colours available
1	Latch			
2	Storage strap (2x)	626986	691468	27
3	Strike plate			
4	Pocket cover			
5	Freezer door		690852	08
	Hinge freezer door (2x)	624680		
6	Hinge plate			
7	Cap (2x)	623622		08
8	Control panel	<i>Refer to page 32</i>		
9	Mounting box			
10	Ice cube tray			
11	Cap freezer bolt (6x)	624479		08
12	Fin			
13	Fin clip		623077	
14	Thermistor			
15	Shelf 455 x 179	690814		08
16	Clip shelf small	623626		08
17	Hinge pin			
18	Identification label *			
19	Shelf 455 x 133	690815		08
20	Clip shelf small	623626		08
21	Hinge pin			
22	Vegetable bin	690816		08
23	Latch bottom	624001		27
24	Hinge plate			
25	Door bin flat wide	690818		08
26	Bottle retainer	626989		12
27	Door bin flat shallow	690817		08
28	Shelf food retainer	691188		08
29	Door	69154027R		
	Door panel		69157127SP	

\* With a request for information or service, always provide the serial number of the refrigerator. The serial number is the code below the barcode on the identification label.



18\*



LE988\_N3097-front\_1015-V03

	Spare part number	Spare part number	Spare part number	Colours available
1	Latch			
2	Storage strap (2x)	626986	626985** (framed doors)	691739** (frameless doors)
3	Strike plate			
4	Pocket cover			
5	Freezer door		690852	08
	Hinge freezer door (2x)	624680		
6	Hinge plate			
7	Cap (2x)	623622		08
8	Control panel	<i>Refer to page 34</i>		
9	Mounting box			
10	Ice cube tray			
11	Cap freezer bolt (6x)	624479		08
12	Fin			
13	Fin clip			
14	Thermistor		623077	
15	Shelf 455 x 179	690814		08
16	Clip shelf small	623626		08
17	Hinge pin			
18	Identification label *			
19	Shelf 455 x 133	690815		08
20	Clip shelf small	623626		08
21	Hinge pin			
22	Vegetable bin	690816		08
23	Latch bottom	624001		27
24	Hinge plate			
25	Door bin flat wide	690824		08
26	Bottle retainer	626989		12
27	Door bin flat shallow	690823		08
28	Shelf food retainer	691188		08
29	Door			
	<i>Framed</i>	63500127R		
	<i>Frameless</i>		690152107R (smoke PF)	690152138R (piano black)
	Door panel	62931127SP (framed)		

\* With a request for information or service, always provide the serial number of the refrigerator. The serial number is the code below the barcode on the identification label.

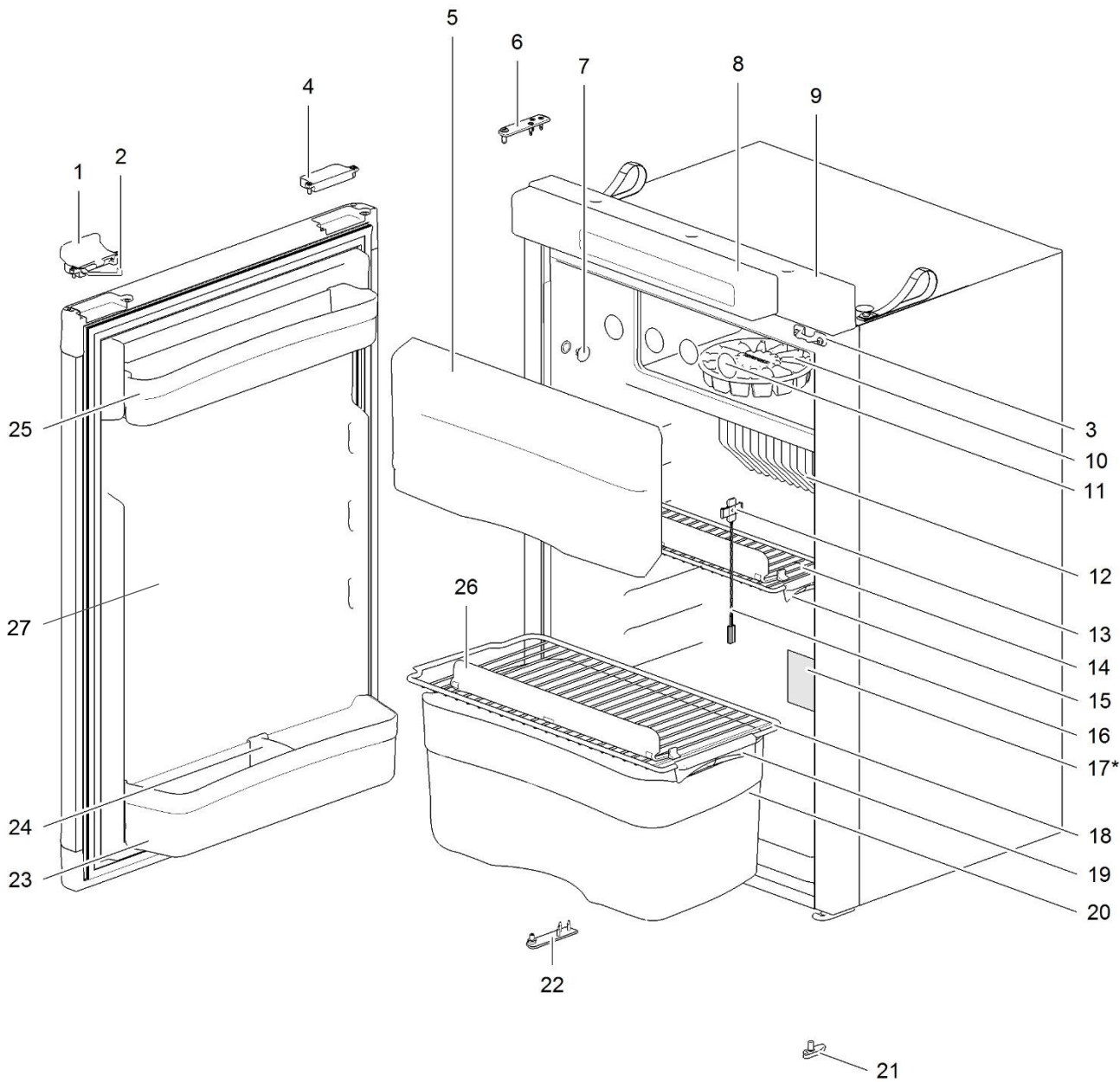
\*\*

62698527



69173927





17\*

<b>TRIFLEX</b>		Type: C11, 15C	
Model No		Shower Class	23
Serial No		Year	2021
230 VAC / 50/60 Hz / 150 W / 13 VOC / 140 W			
Storage Volume		138112	
Refrigerator Volume	108 L		
Freezer Volume	25 L		
Brands Volume	5 L		
Freezer Volume	1750031 28-20031 index		
Serial No	1288P 020621- 38 index		
Volume Code			
Volume Code			
App			
Material	102		
Material			
Material			
CE 0863 042207	Part No	034007	
ABSORBER: NH3 = 154.6 g	NO2C204 = 10.1 g	g max = 25 mm	
COOLING: FREE / FROST FREE		85019	
		9020_Berlin/Polen_CSP	

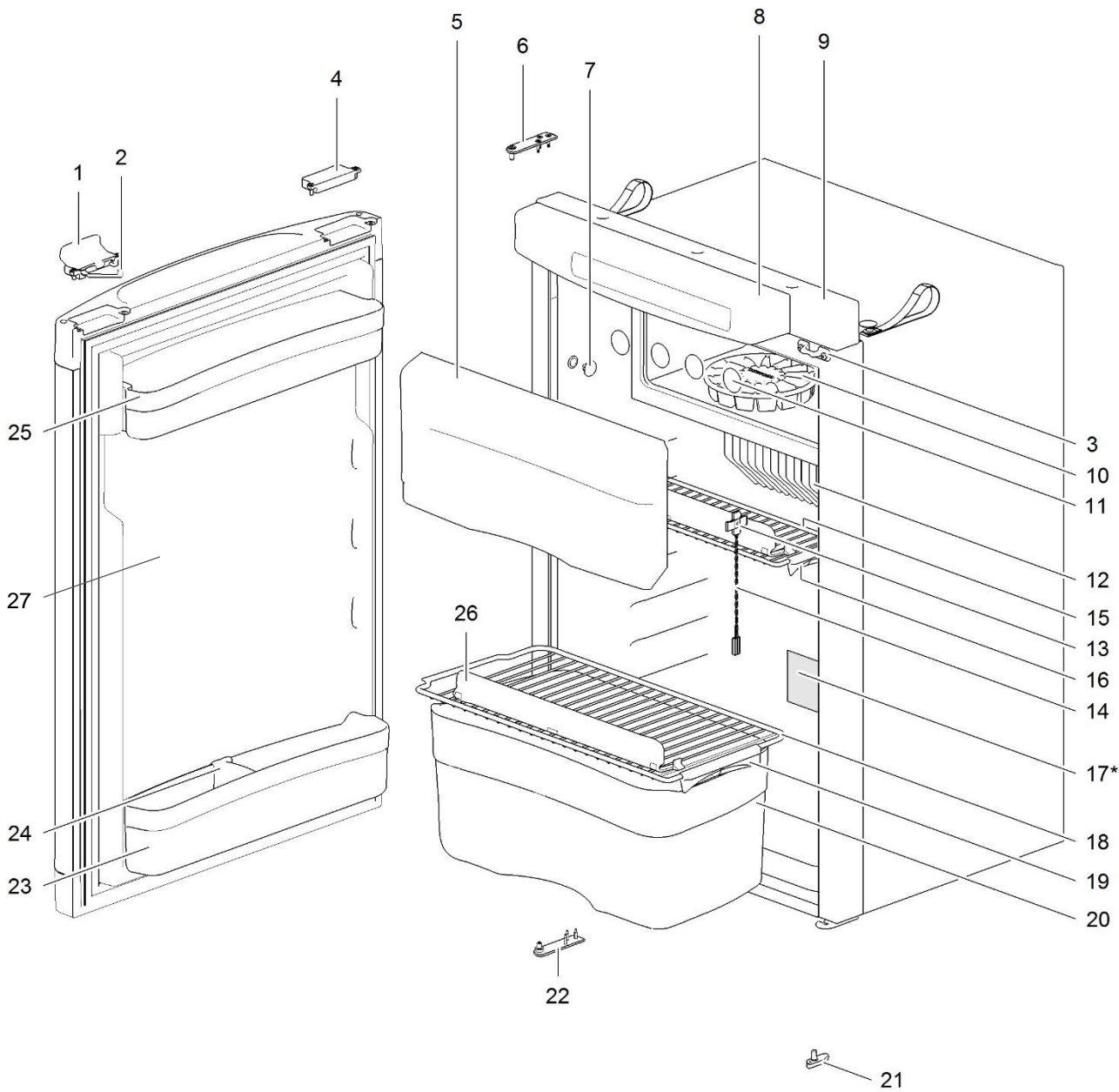
SPECIMEN

LE989\_N3100-front\_1015-V03



	Spare part number	Spare part number	Spare part number	Colours available
1	Latch			
2	Storage strap (2x)	626986	691468	27
3	Strike plate			
4	Pocket cover			
5	Freezer door		690852	
	Hinge freezer door (2x)	624680		08
6	Hinge plate			
7	Cap (2x)	623622		08
8	Control panel	<i>Refer to page 32</i>		
9	Mounting box			
10	Ice cube tray			
11	Cap freezer bolt (6x)	624479		08
12	Fin			
13	Fin clip		623077	
16	Thermistor			
14	Shelf 455 x 133	690815		08
15	Clip shelf small	623626		08
17	Identification label *			
18	Shelf 454 x 220	690828		08
19	Clip shelf large	623625		08
20	Vegetable bin	690829		08
21	Latch bottom	624001		27
22	Hinge plate			
23	Door bin flat wide	690818		08
24	Bottle retainer	626989		12
25	Door bin flat shallow	690817		08
26	Shelf food retainer	691188		08
27	Door	69154027R		
	Door panel		69157127SP	

\* With a request for information or service, always provide the serial number of the refrigerator. The serial number is the code below the barcode on the identification label.



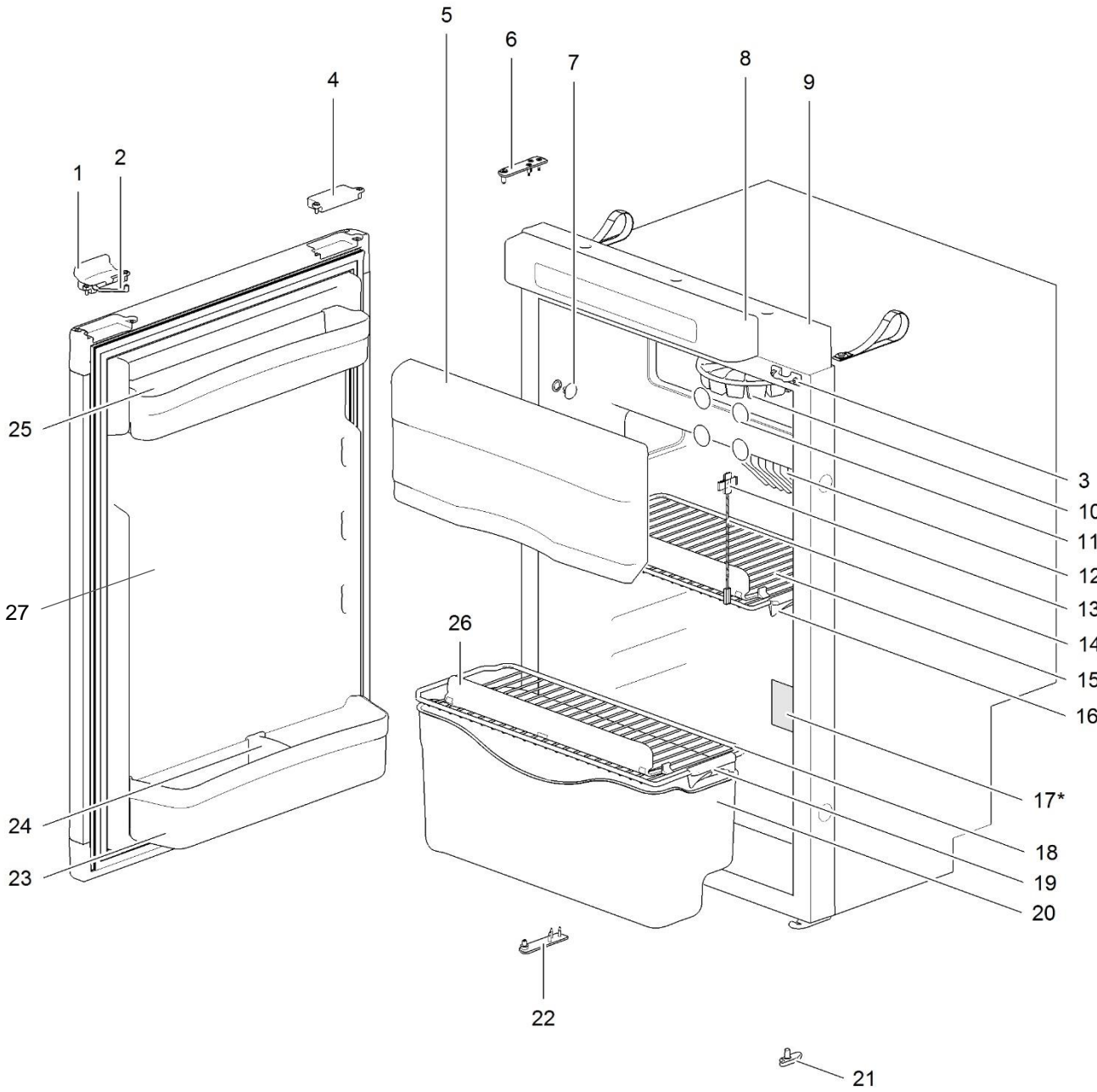
17\*



LE990\_N3104-front\_1015-V03

	Spare part number	Spare part number	Spare part number	Colours available
1	Latch			
2	Storage strap (2x)	626986	691739	27
3	Strike plate			
4	Pocket cover			
5	Freezer door		690852	08
	Hinge freezer door (2x)	624680		
6	Hinge plate			
7	Cap (2x)	623622		08
8	Control panel	<i>Refer to page 34</i>		
9	Mounting box			
10	Ice cube tray			
11	Cap freezer bolt (6x)	624479		08
12	Fin			
13	Fin clip		623077	
14	Thermistor			
15	Shelf 455 x 133	690815		08
16	Clip shelf small	623626		08
17	Identification label *			
18	Shelf 454 x 220	690828		08
19	Clip shelf large	623625		08
20	Vegetable bin	690829		08
21	Latch bottom	624001		27
22	Hinge plate			
23	Door bin curved wide	690824		08
24	Bottle retainer	626989		12
25	Door bin curved shallow	690823		08
26	Shelf food retainer	691188		08
27	Door			
	<i>Framed</i>	63500127R		
	<i>Frameless</i>		690152107R (smoke PF)	690152138R (piano black)
	Door panel	62931127SP (framed)		

\* With a request for information or service, always provide the serial number of the refrigerator. The serial number is the code below the barcode on the identification label.



17\*

<b>FRIGIDAIRE</b>		Type: <b>ETX</b>	CE
Model No		Climate Class	SN
Serie No		230 VAC / 50-60 Hz / 150 W / 12 VDC / 140 W	20 130112
Gravimetric Volume	100 L	Net Weight	25 kg
Volume Brackets		Volume Comp.	
Volume Brackets		Volume Comp.	
Power Volume		Volume Comp.	
Volume Comp.		Volume Comp.	
Net Weight	102	Volume Comp.	
Net Weight		Volume Comp.	
Net Weight		Volume Comp.	
CE Mark	Part No. 63402	E013N1000611	
ABBORRER	100 x 100 g	ABBORRER	100 x 100 g
ABBORRER	100 x 100 g	ABBORRER	100 x 100 g
ABBORRER	100 x 100 g	ABBORRER	100 x 100 g

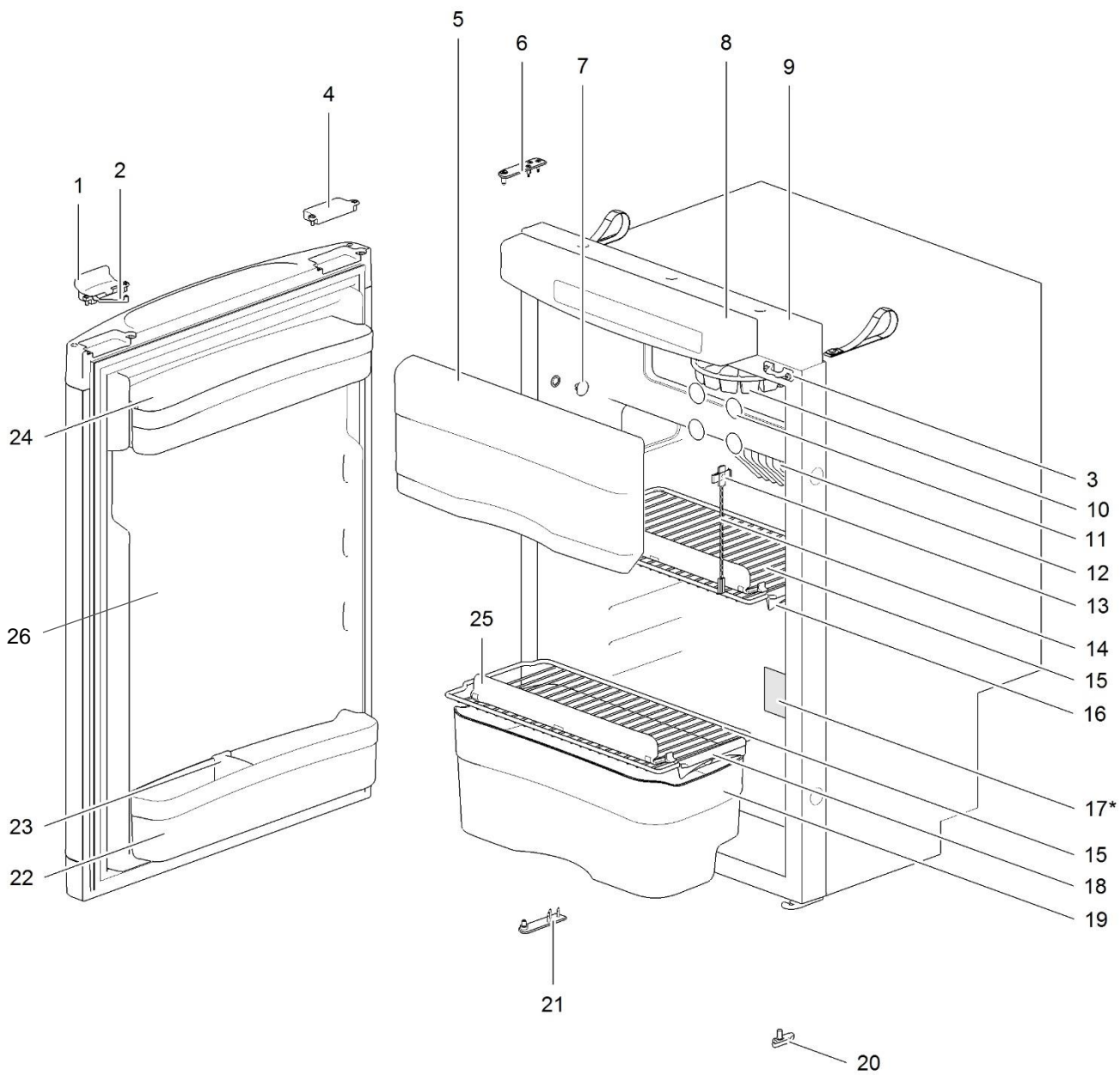
SPECIMEN

LE991\_N3108-front\_1015-V02

		Spare part number	Spare part number	Spare part number	Colours available
1	Latch				
2	Storage strap (2x)	626986	691468		27
3	Strike plate				
4	Pocket cover				
5	Freezer door		690852		08
	Hinge freezer door (2x)	624680			
6	Hinge plate				
7	Cap (2x)	623622			08
8	Control panel	<i>Refer to page 32</i>			
9	Mounting box				
10	Ice cube tray				
11	Cap freezer bolt (6x)	624479			08
12	Fin				
13	Fin clip			623077	
14	Thermistor				
15	Shelf 454 x 205	690831			08
16	Clip shelf large	623625			08
17	Identification label *				
18	Shelf 455 x 174	690832			08
19	Clip shelf small	623626			08
20	<del>Vegetable bin</del>	<del>690833</del>			<del>08</del>
21	Latch bottom	624001			27
22	Hinge plate				
23	Door bin flat wide	690818			08
24	Bottle retainer	626989			12
25	Door bin flat shallow	690817			08
26	Shelf food retainer	691188			08
27	Door	69154027R			
	Door panel		69157127SP		

\* With a request for information or service, always provide the serial number of the refrigerator. The serial number is the code below the barcode on the identification label.

XXXXXX = not available anymore



17\*



LE992\_N3112-front\_1015-V04

		Spare part number	Spare part number	Spare part number	Colours available
1	Latch				
2	Storage strap (2x)	626986	626985** (framed doors)	691739** (frameless doors)	27
3	Strike plate				
4	Pocket cover				
5	Freezer door		690852		
	Hinge freezer door (2x)	624680			08
6	Hinge plate				
7	Cap (2x)	623622			08
8	Control panel LED	<i>Refer to page 34</i>			
9	Mounting box				
10	Ice cube tray				
11	Cap freezer bolt (6x)	624479			08
12	Fin				
13	Fin clip			623077	
14	Thermistor				
15	Shelf 454 x 205	690831			08
16	Clip shelf large	623625			08
17	Identification label *				
18	Clip shelf large	623625			08
19	Vegetable bin	690834			08
20	Latch bottom	624001			27
21	Hinge plate				
22	Door bin curved wide	690824			08
23	Bottle retainer	626989			12
24	Door bin curved shallow	690823			08
25	Shelf food retainer	691188			08
26	Door				
	<i>Framed</i>	63500127R			
	<i>Frameless</i>		690152107R (smoke PF)	690152138R (piano black)	
	Door panel	62931127SP (framed)			

\* With a request for information or service, always provide the serial number of the refrigerator. The serial number is the code below the barcode on the identification label.

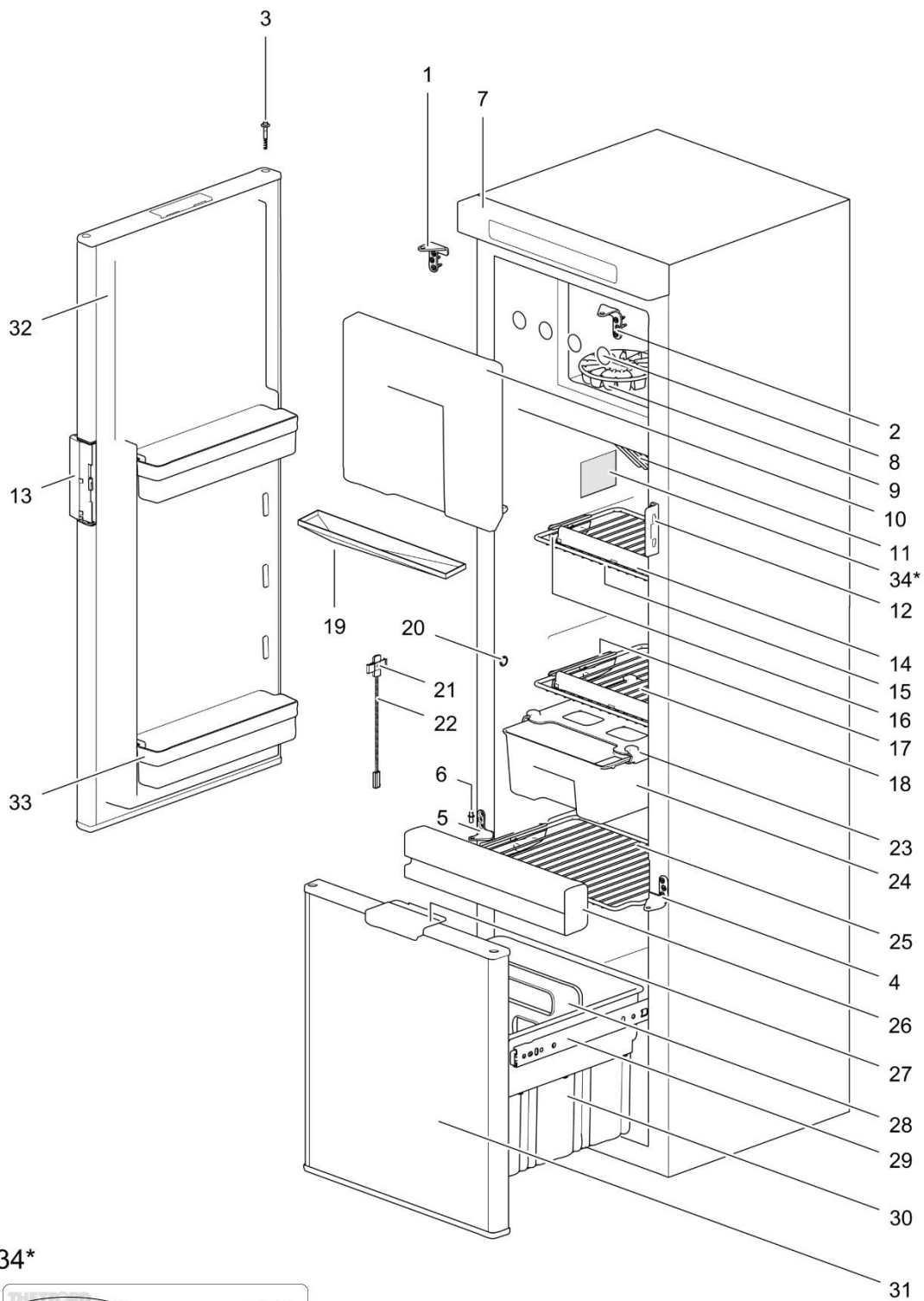
\*\*

62698527



69173927





34\*

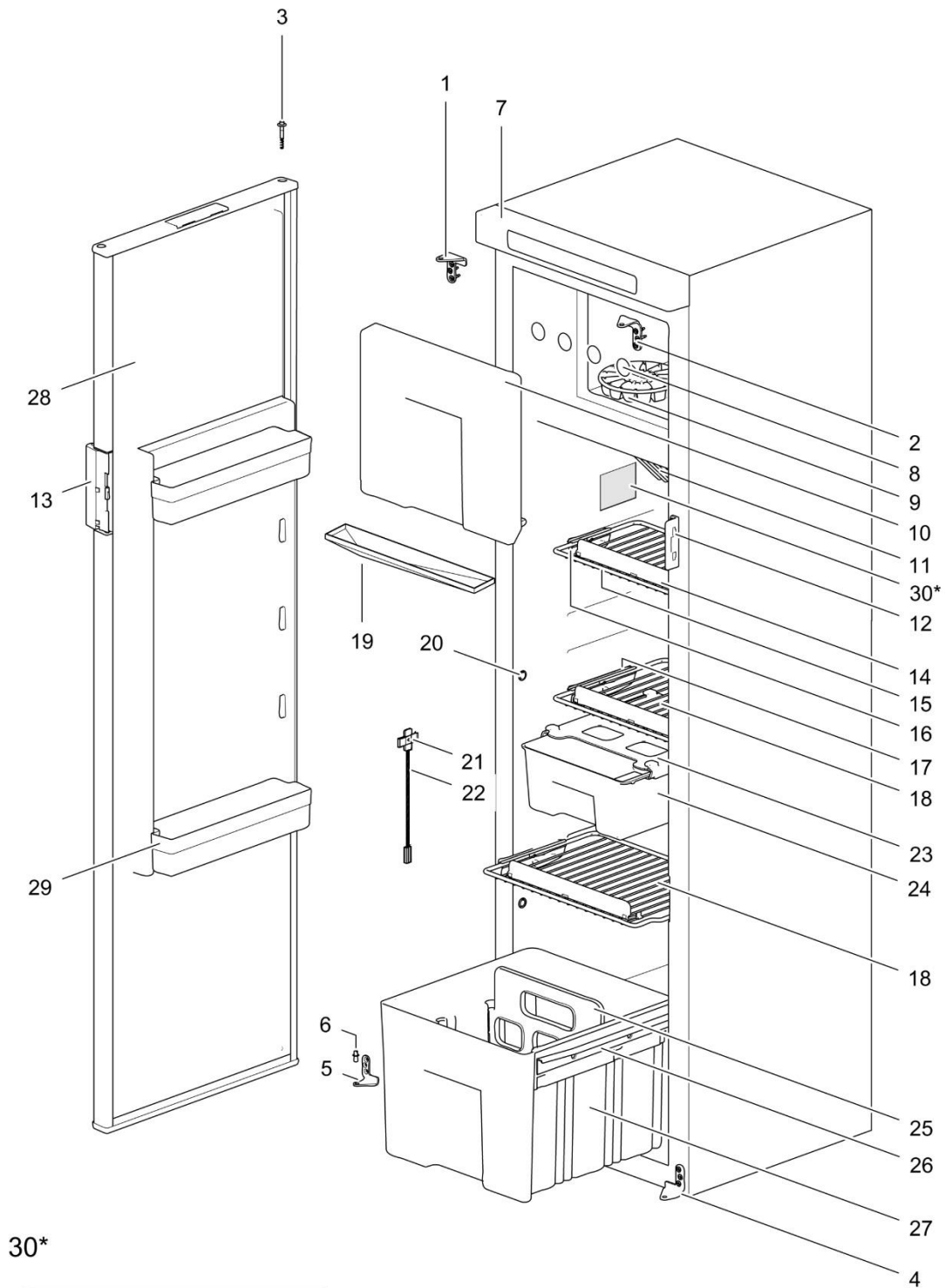


LE1111\_N3141-front



		Spare part number	Spare part number	Colours available
1	Hinge plate top left	691456		27
2	Hinge plate top right			
3	Hinge pin (including spring)			
4	Hinge plate bottom right			
5	Hinge plate bottom left			
6	Hinge pin bottom			
7	Control panel	<i>Refer to page 38</i>		
8	Cap freezer bolt (6x)	624479		08
9	Ice cube tray			
10	Freezer door		691112	08
	Hinge freezer door (2x)	624680		
11	Fin			
12	Door lock plate		691113	
13	Door handle			
14	Shelf food retainer	691114		08
15	Shelf 340 x 182	691115		08
16	Clip shelf small	623626		08
17	Clip shelf large	623625		08
18	Shelf 340 x 241	691116		08
19	Drip tray	691885		08
20	Cap (2x)	623622		08
21	Fin clip		623077	
22	Thermistor			
23	Guiding cover	691118		08
24	Slide-out box	692253		144
25	Shelf 340 x 268	691117		08
26	Divider bar	Not available		
27	Drawer handle	691287		27
28	Drawer divider	691120		08
29	Drawer guides	691123		
30	Drawer bin	691288		08
31	Drawer door	69052127R		
	Door panel Drawer		690631138SP	
32	Cabinet door	69051927R		
	Door panel Cabinet		690630138SP	
33	Door bin	692254		144
34	Identification label*			
NA	Clip - door conversion (2x)	691127		

\* With a request for information or service, always provide the serial number of the refrigerator. The serial number is the code below the barcode on the identification label.



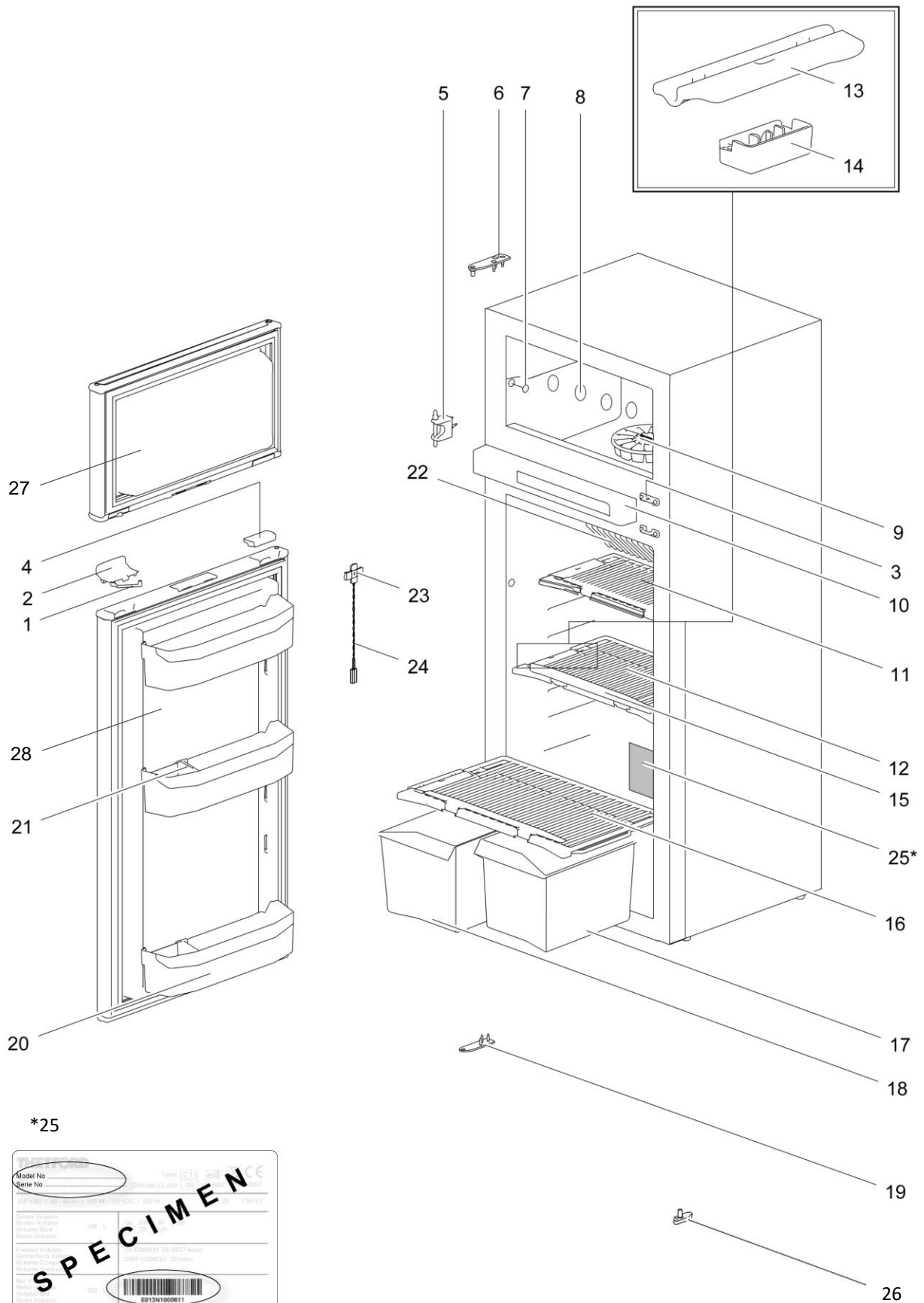
30\*



LE1110\_N3142-front

		Spare part number	Spare part number	Colours available
1	Hinge plate left	691456		27
2	Hinge plate right			
3	Hinge pin (including spring)			
4	Hinge plate bottom right			
5	Hinge plate bottom left			
6	Hinge pin bottom			
7	Control panel	<i>Refer to page 38</i>		
8	Cap freezer bolt (6x)	624479		08
9	Ice cube tray			
10	Freezer door		691112	08
	Hinge freezer door (2x)	624680		
11	Fin			
12	Door lock plate		691113	
13	Door handle			
14	Shelf food retainer	691114		08
15	Shelf 340 x 182	691115		08
16	Clip shelf small	623626		08
17	Clip shelf large	623625		08
18	Shelf 340 x 241	691116		08
19	Drip tray	691885		08
20	Cap (2x)	623622		08
21	Fin clip		623077	
22	Thermistor			
23	Guiding cover	691118		08
24	Slide-out box	692253		144
25	Drawer divider	691120		08
26	Drawer guides	691122		
27	Drawer bin	691457		08
28	Cabinet door	69051727R		
	Door panel Cabinet	690629138SP (piano black)	690629107SP (smoke PF)	
29	Door bin	692254		144
30	Identification label*			
NA	Clip - door conversion (2x)	691127		

\* With a request for information or service, always provide the serial number of the refrigerator. The serial number is the code below the barcode on the identification label.



\*25

**THOR**

Model No.  Type  CE  
 Serie No.  Schrank-CL-Info  0905

370 VAC, 50/60 Hz, 50/60 W, 12 VCC, 1.62 kW, 130 L

Größe Volumen 198 L  
 Netto Volumen  
 Volumen Brutto  
 Netto Gewicht

Hersteller Informationen  
 Gefrierfach-Vol. 120 L  
 Gefrierfach-Vol. 120 L  
 Volumen Gefrierfach 120 L  
 Netto Gewicht 182

CE-0043 04X2287 Part No. 034007

ABSORBER 1445 x 194 B g NACHFOLG 10 L g p max = 21 bar

CPAP HCFG, FREEZER, FCOW, FCOW FREE

820019  
 9920\_Schrank/03ap\_EUR

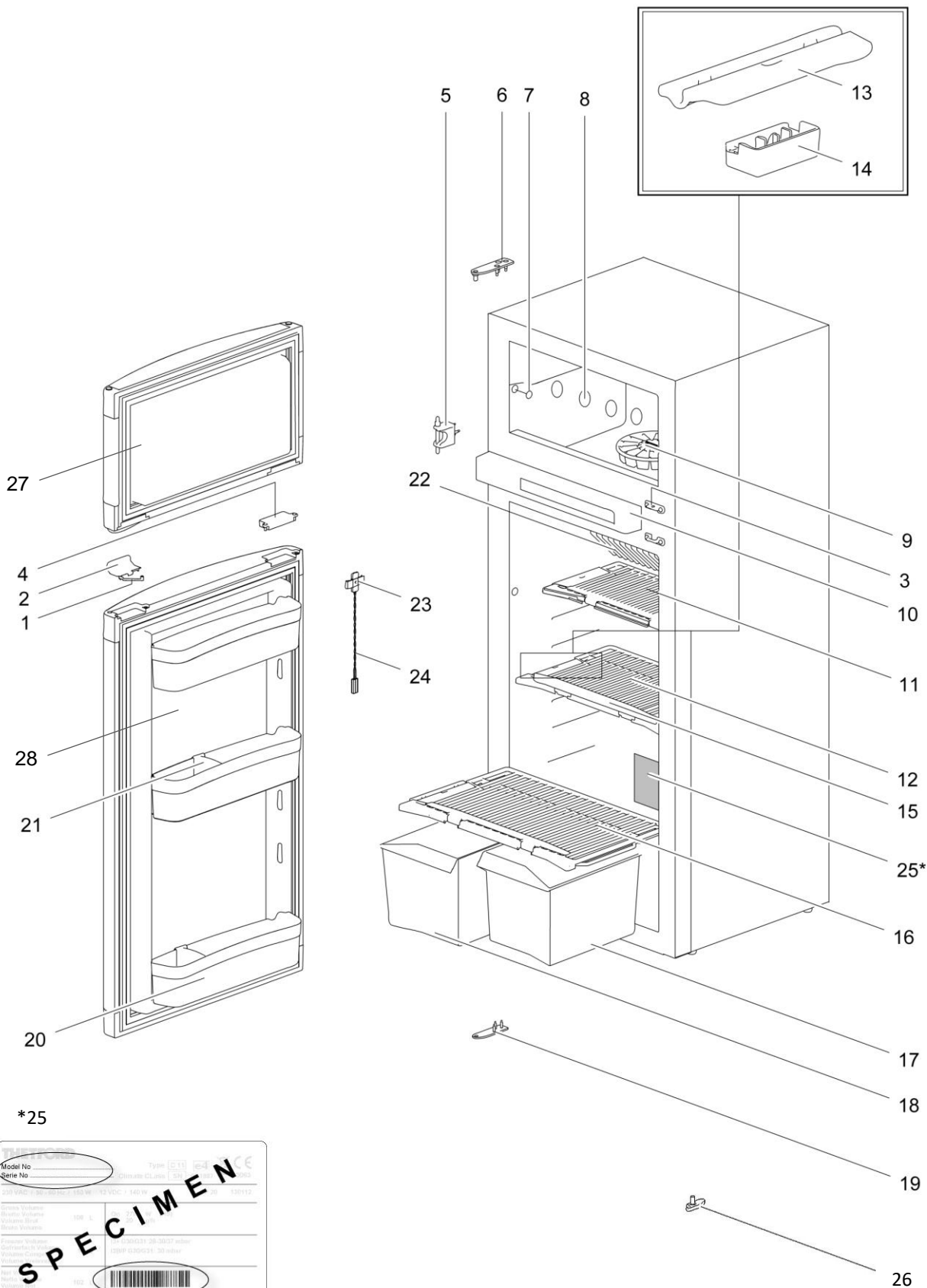
**SPECIMEN**

ED131000611

N3145-front\_0718-V04

		Spare part number	Spare part number	Spare part number	Colours available
1	Storage strap (2x)	626986			
2	Latch		691468		27
3	Strike plate				
4	Pocket cover				
5	Hinge center				
6	Hinge plate				
7	Cap (2x)	623622			08
8	Cap freezer bolt (6x)	624479			08
9	Ice cube tray				
10	Control panel	<i>Refer to page 32</i>			
11	Shelf rack 415 x 150	692510			144
	Clip shelf rack small	692513			08
	Clip rack safety lock	692515			08
12	Shelf rack 415 x 200	692511			144
13	Clip shelf rack large	692514			08
14	Clip rack safety lock	692515			08
15	Food retainer	692516			08
16	Shelf rack 415 x 200	692511			144
	Clip shelf rack large	692514			08
	Clip rack safety lock	692515			08
17	Vegetable bin right	692523			144
18	Vegetable bin left	692522			144
19	Hinge Plate				
20	Door bin flat	692519			144
21	Bottle retainer	692521			08
22	Fin				
23	Fin clip			623077	
24	Thermistor				
25*	Identification label				
26	Bottom latch	624001			27
27	Freezer door			69154427R	
	Door panel Freezer	69157327SP (matt black)	691523138SP (piano black)		
28	Cabinet door			69154327R	
	Door panel Cabinet	69157227SP (matt black)	691520138SP (piano black)		

\* With a request for information or service, always provide the serial number of the refrigerator. The serial number is the code below the barcode on the identification label.



\*25

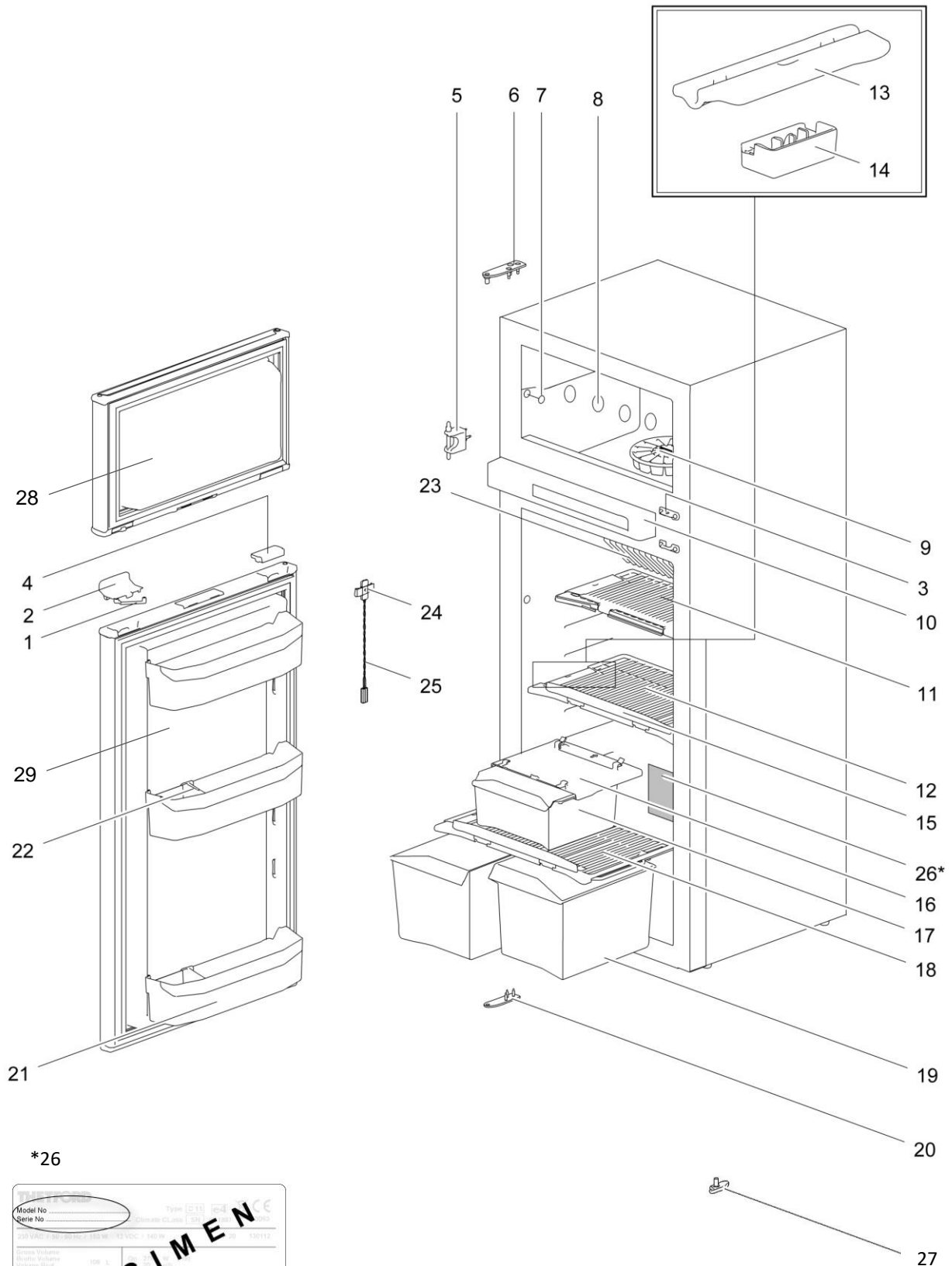
**SPECIMEN**

Model No	Type	CE
Series No	Climate Class	
200V/50Hz/50°C/145W/12VDC/140W 200V/50Hz/50°C/145W/12VDC/140W		
Gross Volume Storage Volume Volume Ref. Net Volume	200311-20-2007 200311-20-2007 200311-20-2007	
Net Volume Volume Ref. Net Volume		
CE 0003 00027 Part No: 234007		
ABSORBER 480 ± 154.8 g CYCLES: FREE / FROZ. / FROZ. FREE	NAERGA = 10.1 g pmax = 21 bar 000019 0020_SeriesF/Model_EUR	

N3150-front\_0718-V04

		Spare part number	Spare part number	Spare part number	Colours available
1	Storage strap (2x)	626986			
2	Latch		691739		27
3	Strike plate				
4	Pocket cover				
5	Hinge center				
6	Hinge plate				
7	Cap (2x)	623622			08
8	Cap freezer bolt (6x)	624479			08
9	Ice cube tray				
10	Control panel	<i>Refer to page 32</i>			
11	Shelf rack 415 x 150	692510			144
	Clip shelf rack small	692513			08
	Clip rack safety lock	692515			08
12	Shelf rack 415 x 200	692511			144
13	Clip shelf rack large	692514			08
14	Clip rack safety lock	692515			08
15	Food retainer	692516			08
16	Shelf rack 415 x 200	692511			144
	Clip shelf rack large	692514			08
	Clip rack safety lock	692515			08
17	Vegetable bin right	692523			144
18	Vegetable bin left	692522			144
19	Hinge Plate				
20	Door bin curved	692520			144
21	Bottle retainer	692521			08
22	Fin				
23	Fin clip			623077	
24	Thermistor				
25*	Identification label				
26	Bottom latch	624001			27
27	Freezer door				
	<i>Framed</i>	69237127R			
	<i>Frameless</i>		692372138R (piano black)	692372107R (smoke PF)	
	Door panel Freezer	691455SP (framed)			
28	Cabinet door				
	<i>Framed</i>	63503227R			
	<i>Frameless</i>		690153138R (piano black)	690153107R (smoke PF)	
	Door panel Cabinet	691454SP (framed)			

\* With a request for information or service, always provide the serial number of the refrigerator. The serial number is the code below the barcode on the identification label.



\*26

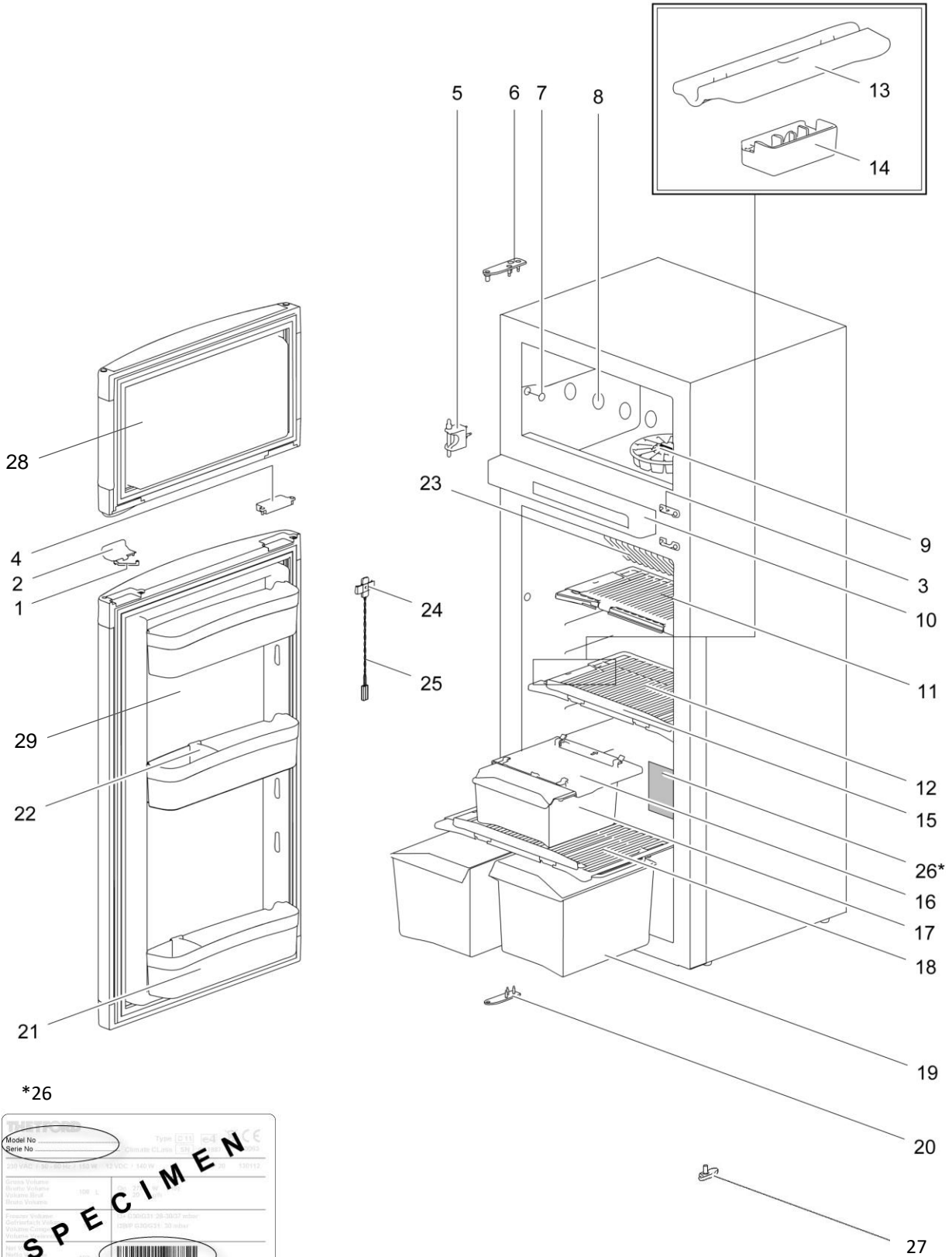
<b>WILLOW</b> Model No. _____ Type _____ Serie No. _____	
240 VAC ~ 50-60 Hz ~ 150 W / 12 VOC ~ 640 W 230 VAC ~ 50-60 Hz ~ 150 W / 12 VOC ~ 640 W	
Gross Volume Netto Volume Volume Brutt Volume Netto	150 L 100 L 150 L 100 L
Frost-free Volume Gefrierfach Volumen Gefrierfach Volumen Gefrierfach	
100 L 100 L 100 L 100 L	
Part No. _____ Volume _____ Netto Volume _____ E013N1000611	
LE-0183 0183007 Part No. 0183007	
ABSORBER 140 L ~ 140 L g. MASSGABE 10 L g. g.max = 21 kg	
CFC/HCFC FRIED / FROST FREI 820919 0020_00007/0000_EUR	

LE1063-N3170-front\_0518-V04



		Spare part number	Spare part number	Spare part number	Colours available
1	Storage strap (2x)	626986			
2	Latch		691468		27
3	Strike plate				
4	Pocket cover				
5	Hinge center				
6	Hinge plate				
7	Cap (2x)	623622			08
8	Cap freezer bolt (6x)	624479			08
9	Ice cube tray				
10	Control panel	<i>Refer to page 32</i>			
11	Shelf rack 415 x 200	692511			144
	Clip shelf rack large	692514			08
	Clip rack safety lock	692515			08
12	Shelf rack 415 x 250	692512			144
13	Clip shelf rack large	692514			08
14	Clip rack safety lock	692515			08
15	Food retainer	692516			08
16	Slide out box guide	692518			144
17	Slide out box	692517			144
18	Shelf rack 415 x 250	692512			144
	Clip shelf rack large	692514			08
	Clip rack safety lock	692515			08
19	Vegetable bin reversible	692524			144
20	Hinge plate				
21	Door bin flat	692519			144
22	Bottle retainer	692521			08
23	Fin				
24	Fin clip			623077	
25	Thermistor				
26*	Identification label				
27	Bottom latch	624001			27
28	Freezer door			69154427R	
	Door panel Freezer	69157327SP (matt black)	691523138SP (piano black)		
29	Cabinet door			69154327R	
	Door panel Cabinet	69157227SP (matt black)	691520138SP (piano black)		

\* With a request for information or service, always provide the serial number of the refrigerator. The serial number is the code below the barcode on the identification label.



\*26

THOMSON

Model No.   Type **CL11** **CE**  
 Serie No.   Climate CL116 (31)

205 (94) x 595 (233) x 153 (60) mm | 13 VDC | 140 W | 120 (48) x 100 (39) x 130 (51) mm

Climate Volume: 150 L  
 Storage Volume: 100 L  
 Storage Depth: 600 mm  
 Storage Volume: 100 L

Compressor Volume: 300(3) 30-30(3) cubic cm  
 Compressor Type: (SMP) 6106(3) 30 cubic cm

Net Weight: 18.2 kg  
 Net Weight: 18.2 kg  
 Net Weight: 18.2 kg

CE 0863 042207 Part No. 254007

ABSORBER NH3 = 154.8 g NAJERGA = 10.1 g p.max = 21 bar

CFR/HCFC FREE / FKW, FCKW FREE

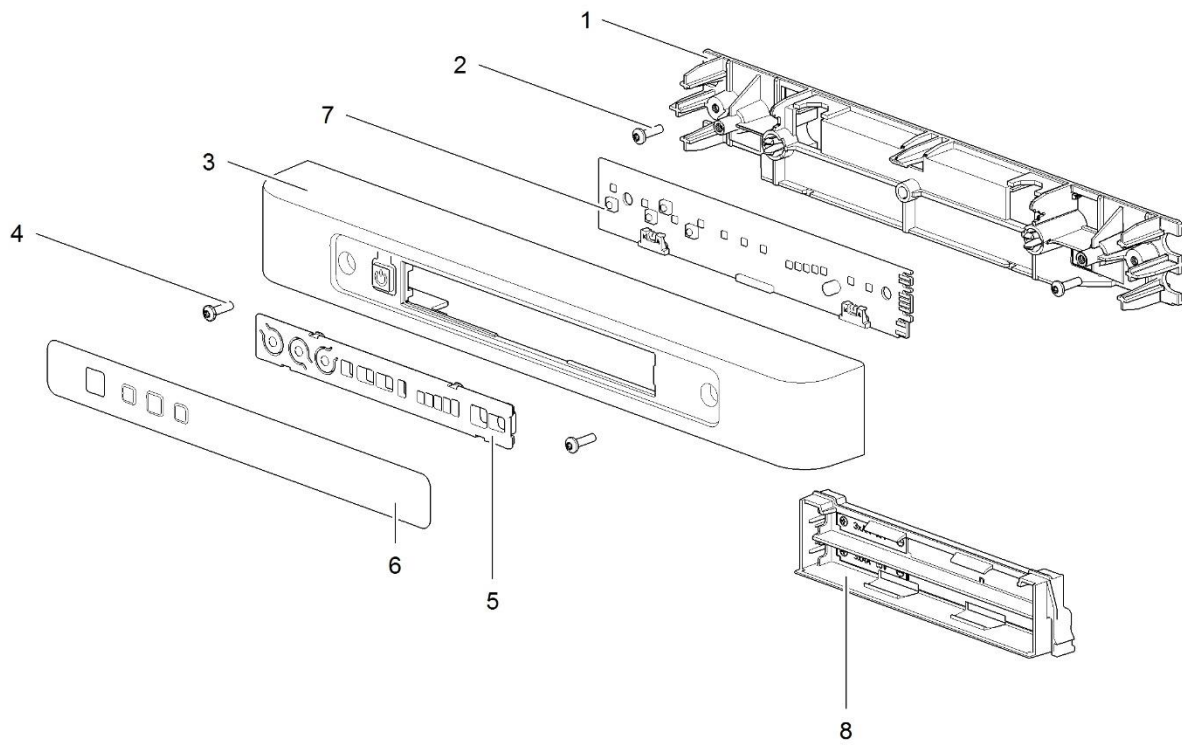
520019 3030\_ServisF/Modr\_EUR

SPECIMEN

LE1063-N3170-front\_0518-V04

		Spare part number	Spare part number	Spare part number	Colours available
1	Storage strap (2x)	626986	691739		27
2	Latch				
3	Strike plate				
4	Pocket cover				
5	Hinge center				
6	Hinge plate				
7	Cap (2x)	623622			08
8	Cap freezer bolt (6x)	624479			08
9	Ice cube tray				
10	Control panel	<i>Refer to page 32</i>			
11	Shelf rack 415 x 200	692511			144
	Clip shelf rack large	692514			08
	Clip rack safety lock	692515			08
12	Shelf rack 415 x 250	692512			144
13	Clip shelf rack large	692514			08
14	Clip rack safety lock	692515			08
15	Food retainer	692516			08
16	Slide out box guide	692518			144
17	Slide out box	692517			144
18	Shelf rack 415 x 250	692512			144
	Clip shelf rack large	692514			08
	Clip rack safety lock	692515			08
19	Vegetable bin reversible	692524			144
20	Hinge plate				
21	Door bin curved	692520			144
22	Bottle retainer	692521			08
23	Fin				
24	Fin clip			623077	
25	Thermistor				
26*	Identification label				
27	Bottom latch	624001			27
27	Freezer door				
	<i>Framed</i>	69237127R			
	<i>Frameless</i>		692372138R (piano black)	692372107R (smoke PF)	
	Door panel Freezer	691455SP (framed)			
28	Cabinet door				
	<i>Framed</i>	63503227R			
	<i>Frameless</i>		690153138R (piano black)	690153107R (smoke PF)	
	Door panel Cabinet	691454SP (framed)			

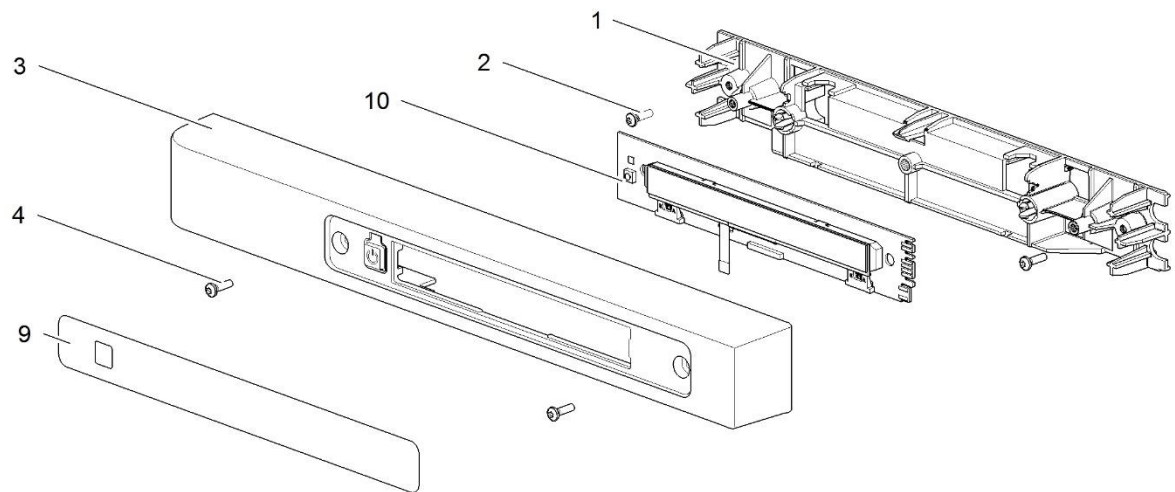
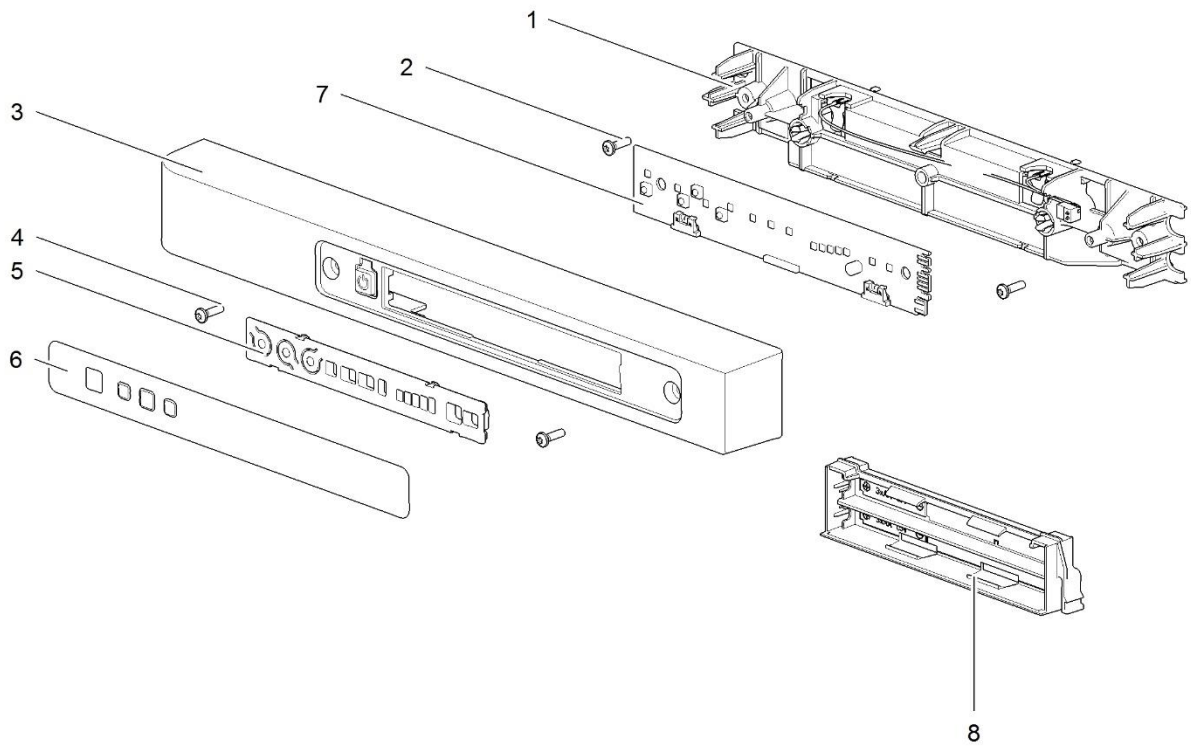
\* With a request for information or service, always provide the serial number of the refrigerator. The serial number is the code below the barcode on the identification label.



		Spare part number	Spare part number	Spare part number	Colours available
1	Technical panel flat	690806			
2	Screws				
3	Housing flat	690807			27
4	Screws				
5	Overlay LED+		<del>692242</del>		
6	Sticker LED+	692240	691105	692243	
7	PCB LED+ DM				
	PCB LED+ DM FOR BATTERY PACK			692244 <sup>1</sup>	
8	Battery pack accessory				69288727 <sup>1</sup>
	Battery hatch				

<sup>1</sup>including spare part 'sticker LED+' (#6)

~~xxxxxx~~ = not available anymore



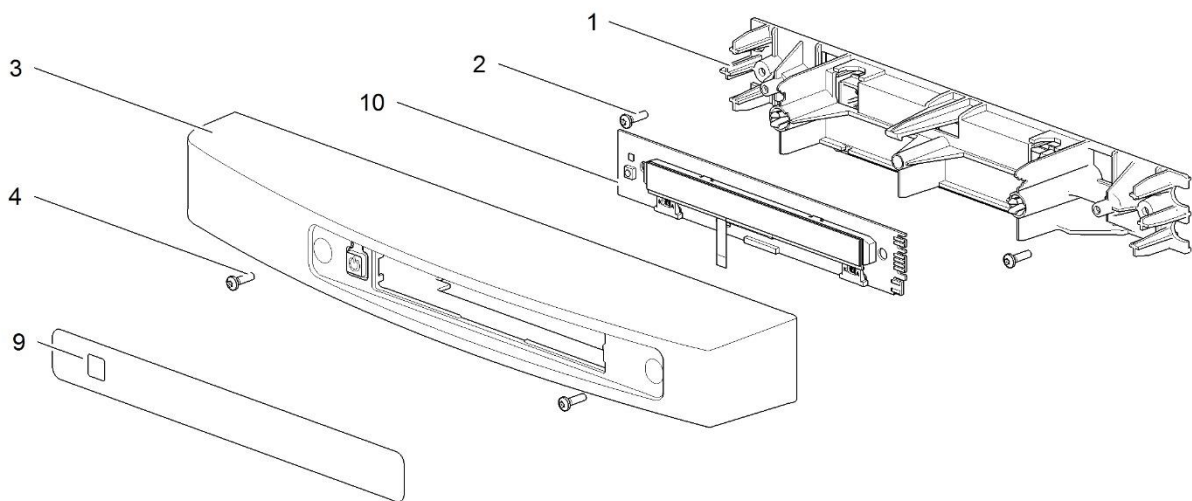
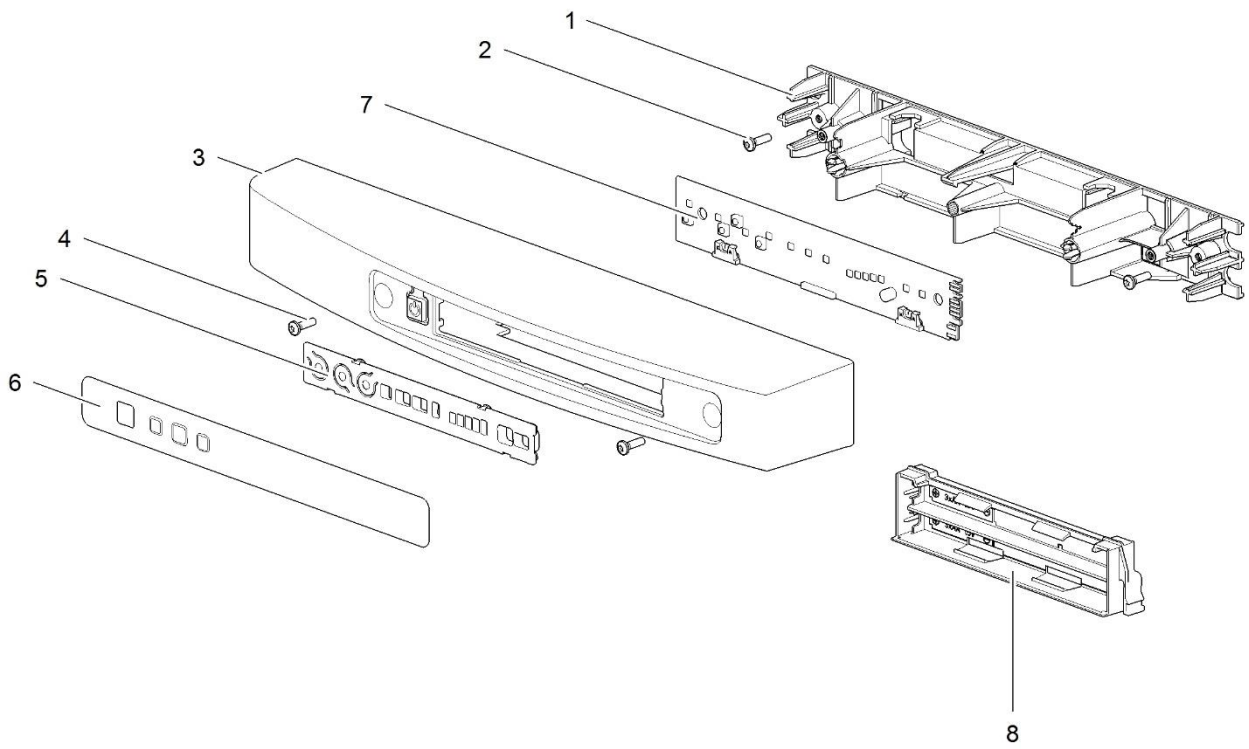
LE1004\_Control Panel+flat525\_1214-V04

Spare part number

1	Technical panel flat	690806		
2	Screws			
3	Housing flat			
	Right hinged flat door 10 mm	691463		
	Left hinged flat door 10 mm	691464		
4	Screws			
5	Overlay LED+		<del>692242</del>	
6	Sticker LED+	692240	691105	692243
7	PCB LED+ DM			692244 <sup>1</sup>
	PCB LED+ DM FOR BATTERY PACK <sup>1</sup>			69288727 <sup>1</sup>
8	Battery pack accessory			
	Battery hatch			
9	Sticker LCD	692241	692245	
10	PCB LCD DM			

<sup>1</sup> including spare part 'Sticker LED+' (#6)

XXXX = not available anymore



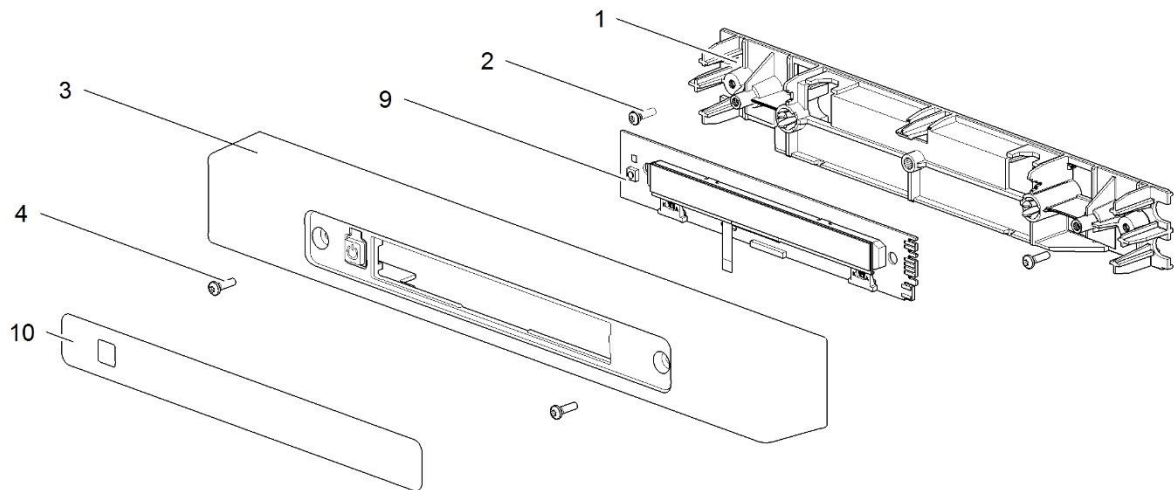
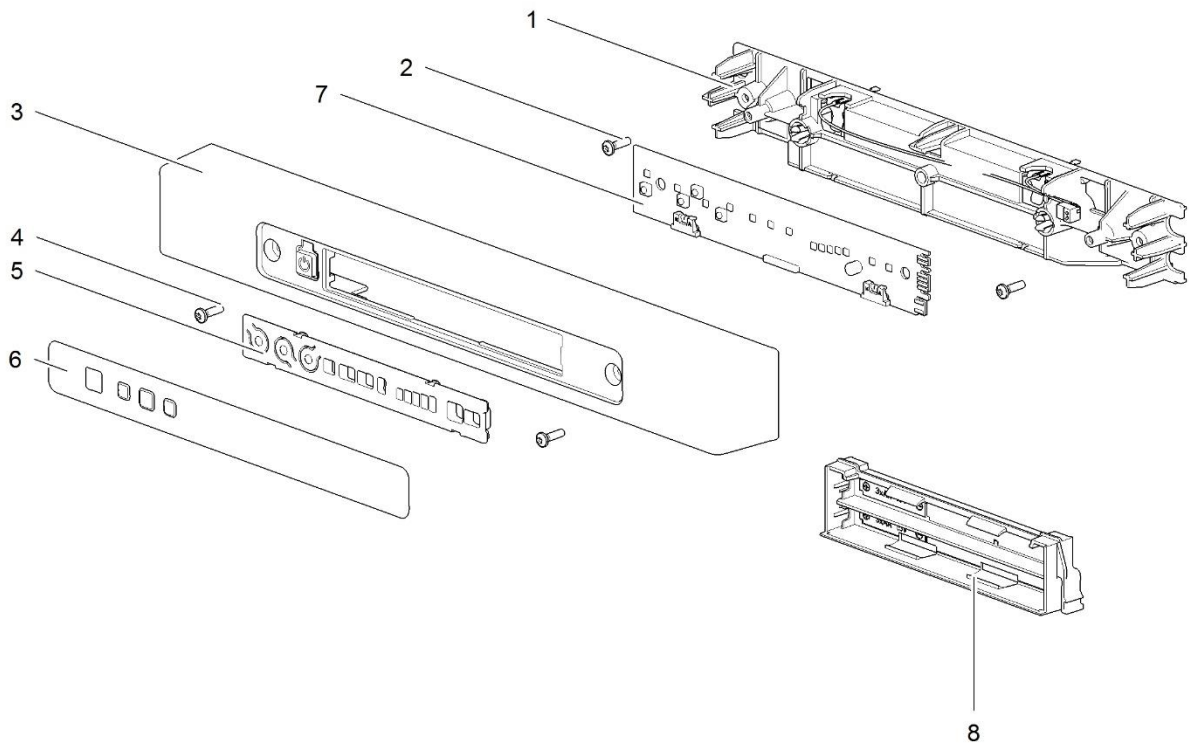


Spare part number

1	Technical panel curved	690825		
2	Screws			
3	Housing curved			
	Right hinged	69082627		
	Left hinged	69082727		
4	Screws			
5	Overlay LED+		<del>692242</del>	
6	Sticker LED+	692240	691105	692243
7	PCB LED+ DM			
	PCB LED+ DM FOR BATTERY PACK <sup>1</sup>			692244 <sup>1</sup>
8	Battery pack accessory			69288727 <sup>1</sup>
	Battery hatch			
9	Sticker LCD	692241	692245	
10	PCB LCD DM			

<sup>1</sup> including spare part 'Sticker LED+' (#6)

xxxxxx = not available anymore



LE1113\_Control Panel+flat418\_1214-V02

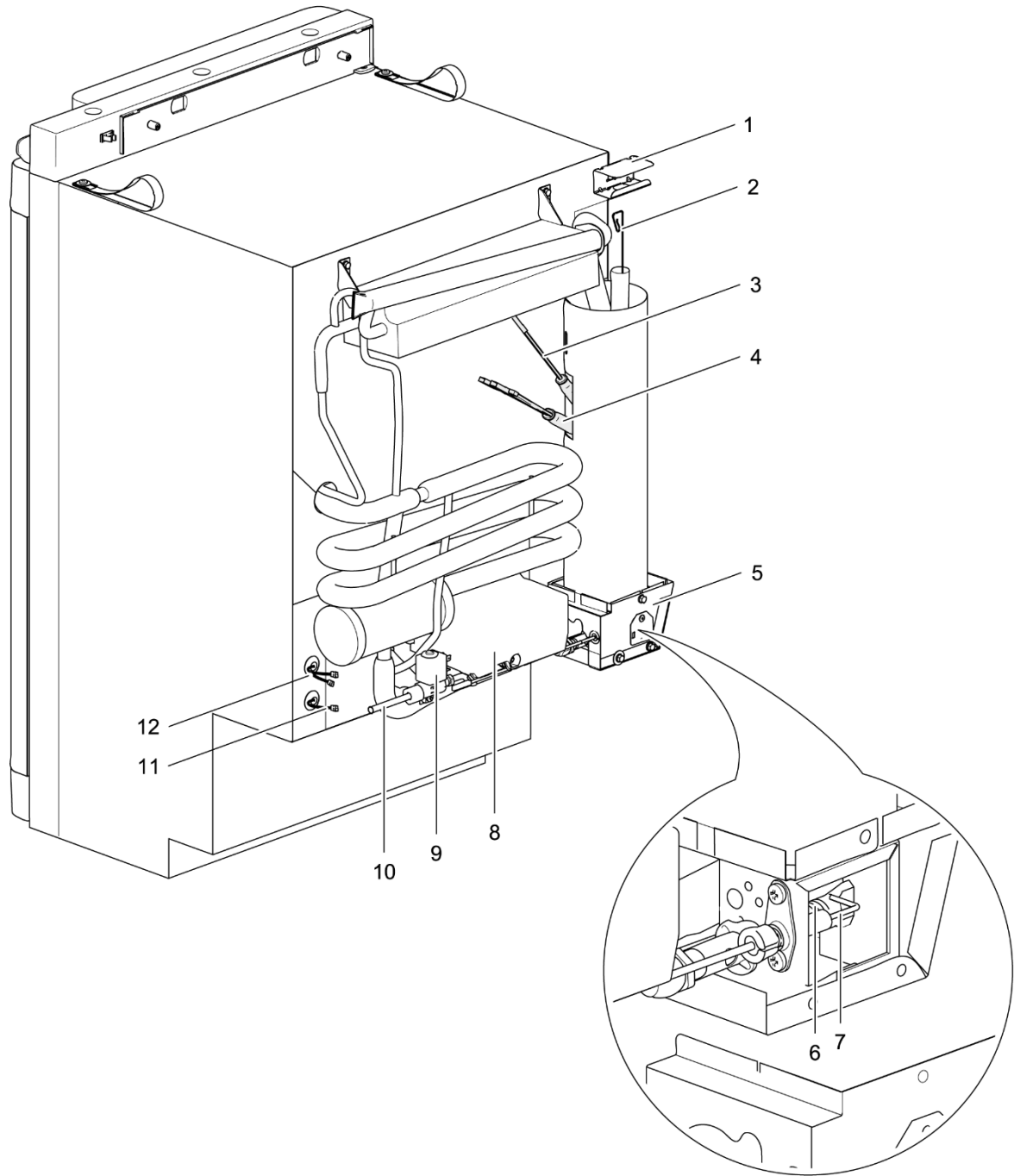
## Spare part number

1	Technical panel flat	691102		
2	Screws			
3	Housing flat	69110427		
4	Screws			
5	Overlay LED+		<del>692242</del>	
6	Sticker LED+	692240	691105	692243
7	PCB LED+ DM			692244 <sup>1</sup>
	PCB LED+ DM FOR BATTERY PACK <sup>1</sup>			69288727 <sup>1</sup>
8	Battery pack accessory			
	Battery hatch			
9	PCB LCD DM		692245	
10	Sticker LCD	692241		

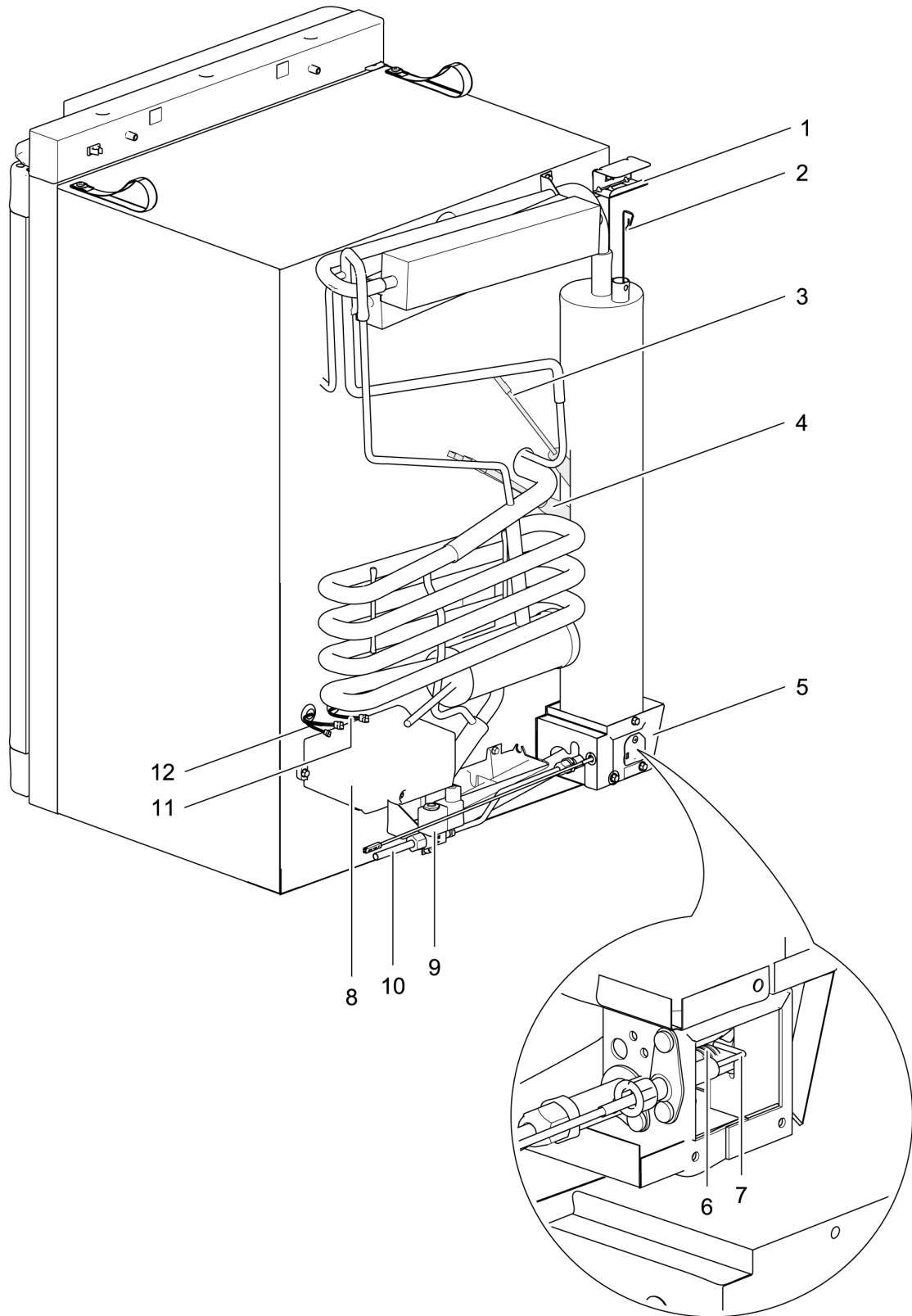
<sup>1</sup> including spare part 'Sticker LED+' (#6)

~~xxxxxx~~ = not available anymore

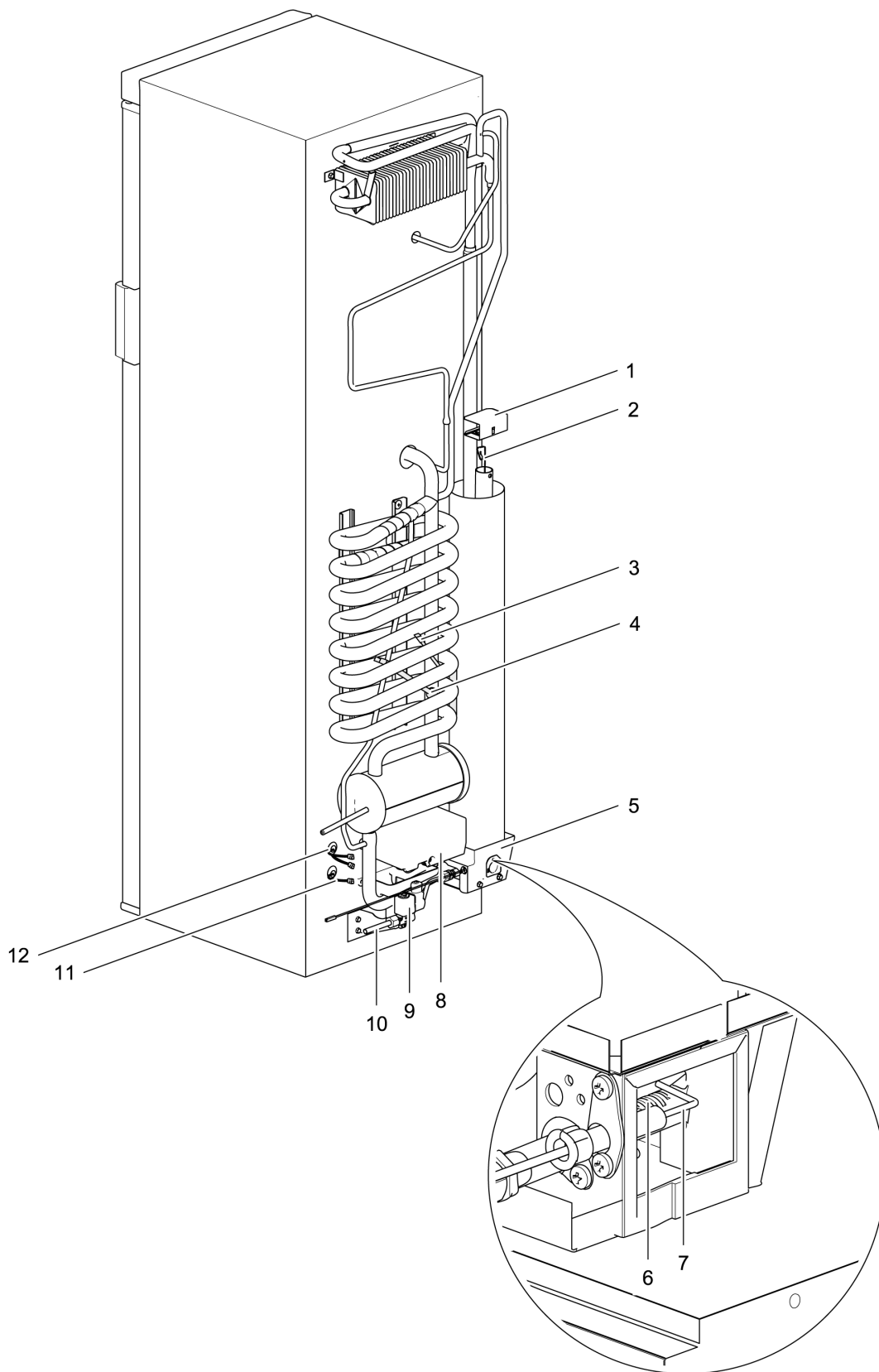
N4080-N4090-N4097-N4108-N4112-back



		Spare part number	Spare part number	Colours available
1	Heat cap	690812		
2	Heat diffuser	690878		
3	Heater AC	692250		
4	Heater DC	633574		
5	Heater box			
6	Burner assembly	634570		
7	Spark electrode	690813		
8	Power control board	692247		
9	Gas valve	690810		
10	Gas pipe			
11	Thermistor cable			
	Loose connector temperature <i>power board side</i>	690855	690853	
12	Communication cable			
	Loose connectors communication and CI-bus	690856	690854	



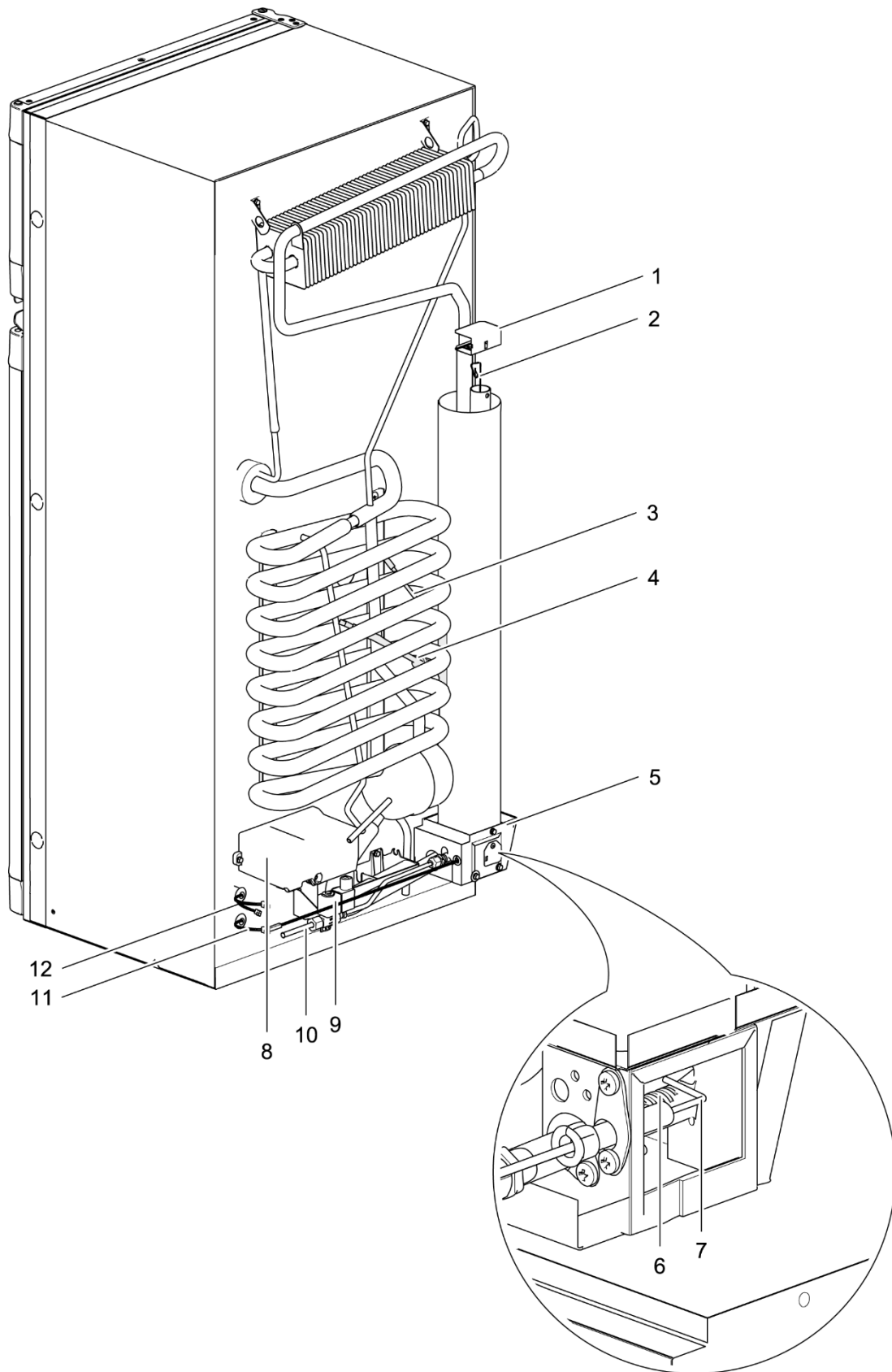
		Spare part number	Spare part number	Colours available
1	Heat cap	690812		
2	Heat diffuser	690878		
3	Heater AC	692250		
4	Heater DC	633574		
5	Heater box			
6	Burner assembly	623019		
7	Spark electrode	690830		
8	Power control board	692247		
9	Gas valve	690810		
10	Gas pipe			
11	Thermistor cable			
	Loose connector temperature <i>power board side</i>	690855	690853	
12	Communication cable			
	Loose connectors communication and CI-bus	690856	690854	



N4141-N4142-back



		Spare part number	Spare part number	Colours available
1	Heat cap	690839		
2	Heat diffuser	692583		
3	Heater AC	691193		
4	Heater DC	691125		
5	Heater box			
6	Burner assembly	623058		
7	Spark electrode	690840		
8	Power control board	692247		
9	Gas valve	690810		
10	Gas pipe			
11	Thermistor cable			
	Loose connector temperature <i>power board side</i>	690855	690853	
12	Communication cable			
	Loose connectors communication and CI-bus	690856	690854	



N4145-N4150-N4170-N4175-back

		Spare part number	Spare part number	Colours available
1	Heat cap	690839		
2	Heat diffuser	690879		
3	Heater AC	691193		
4	Heater DC	691125		
5	Heater box			
6	Burner assembly	623058		
7	Spark electrode	690840		
8	Power control board	692247		
9	Gas valve	690810		
10	Gas pipe			
11	Thermistor cable			
	Loose connector temperature <i>power board side</i>	690855	690853	
12	Communication cable			
	Loose connectors communication and CI-bus	690856	690854	

<b>Colour Numbers</b>	<b>Description</b>	<b>Colour reference</b>
07	Traffic Grey	RAL 7042
08	White	MP 1013 MP FR 85 R7
12	Blue	RAL 5012
27(R)	Black	RAL 9005
30	Mocha	NCS S 2005-Y40R
90	Anthracite Grey	RAL 7016
136	Black Grey	RAL 7021
138R	Piano Black	AM50CI EG schwarz 8325 VA 82-99139/10