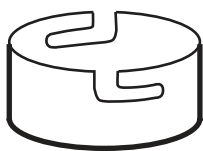
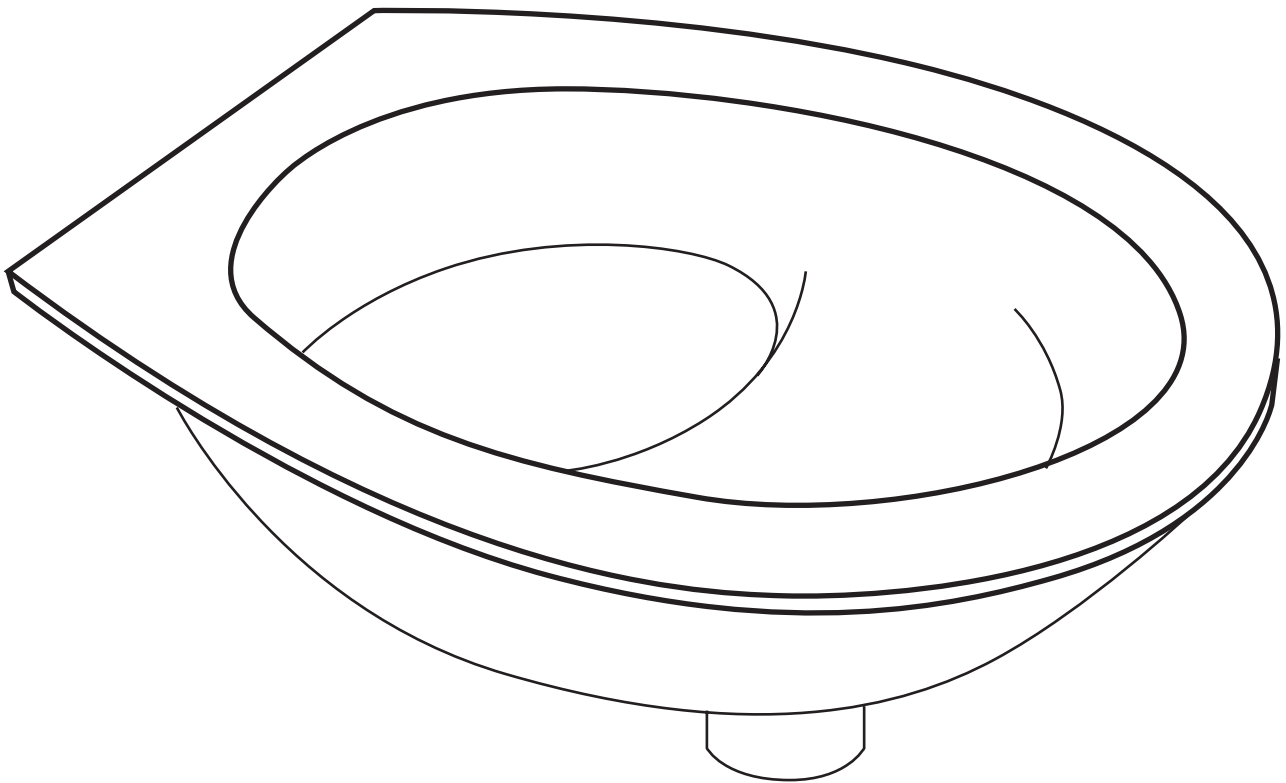
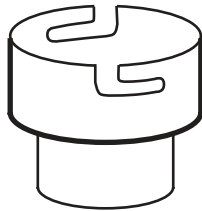




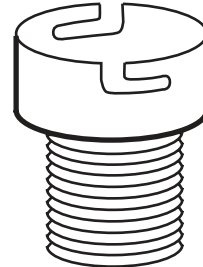
TROBOLO®



U6AXX1360



U6BXX1361



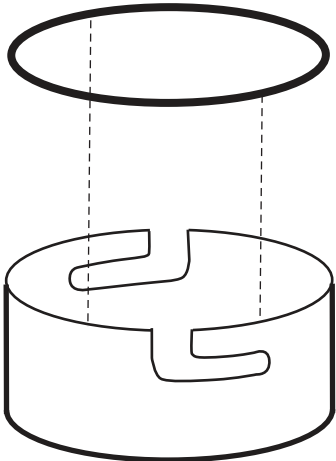
U6CXX1362

MAN.HTU6XX1366.3

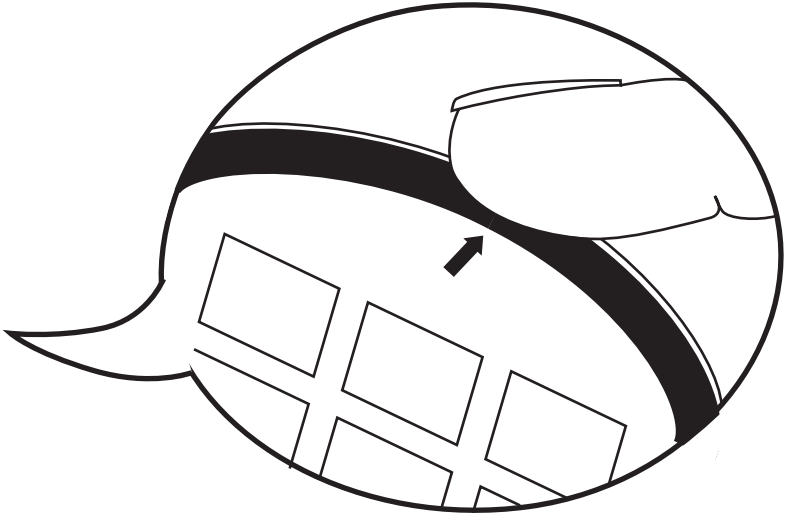
Adapter installation

Adapter-Montage / Installation adaptateur

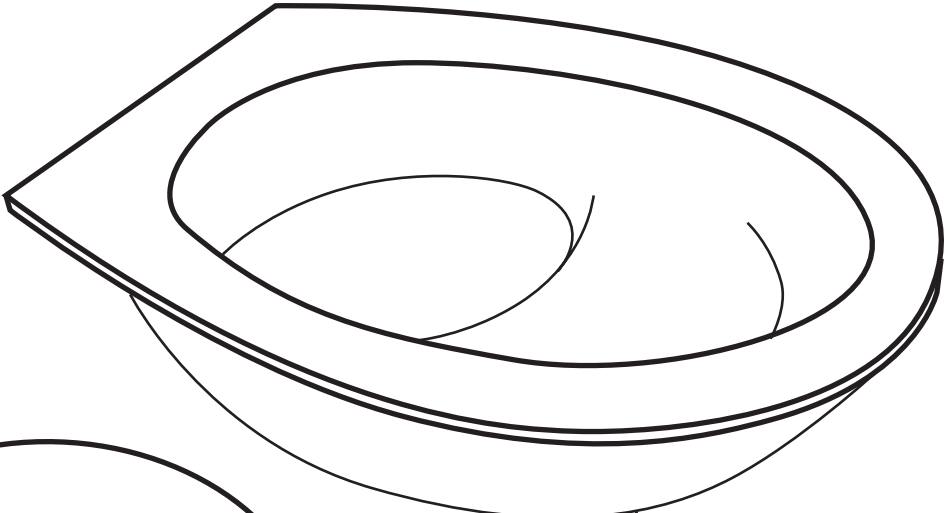
1



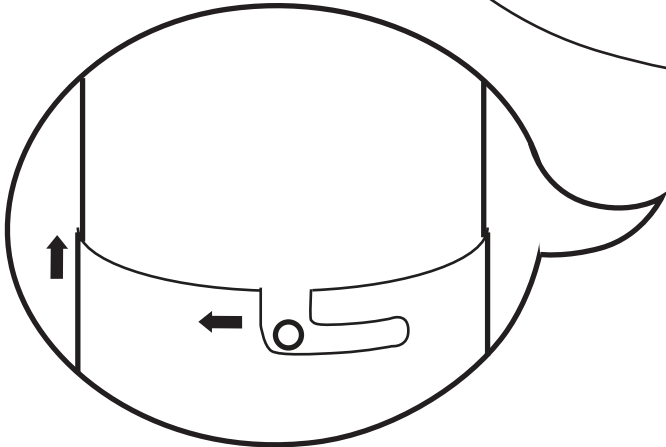
U6AXX1360



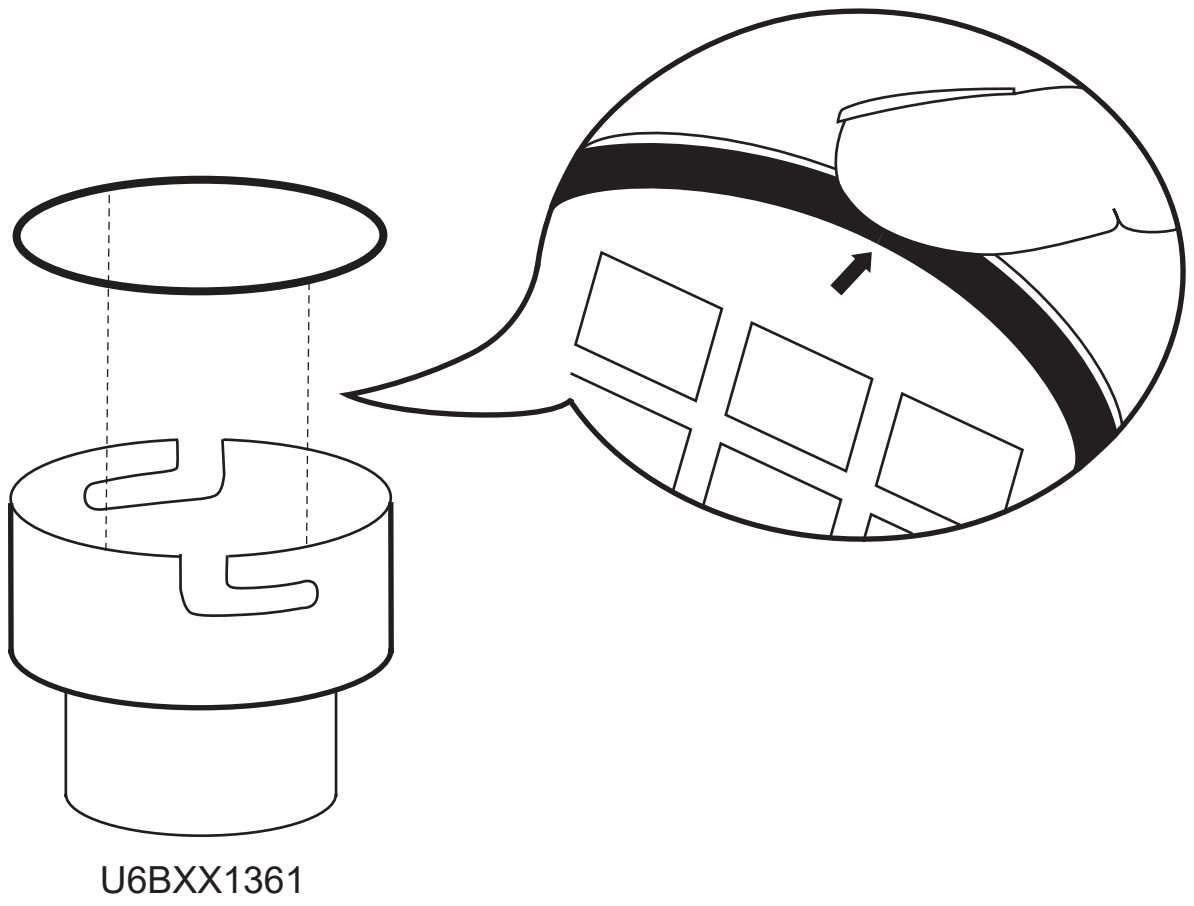
2



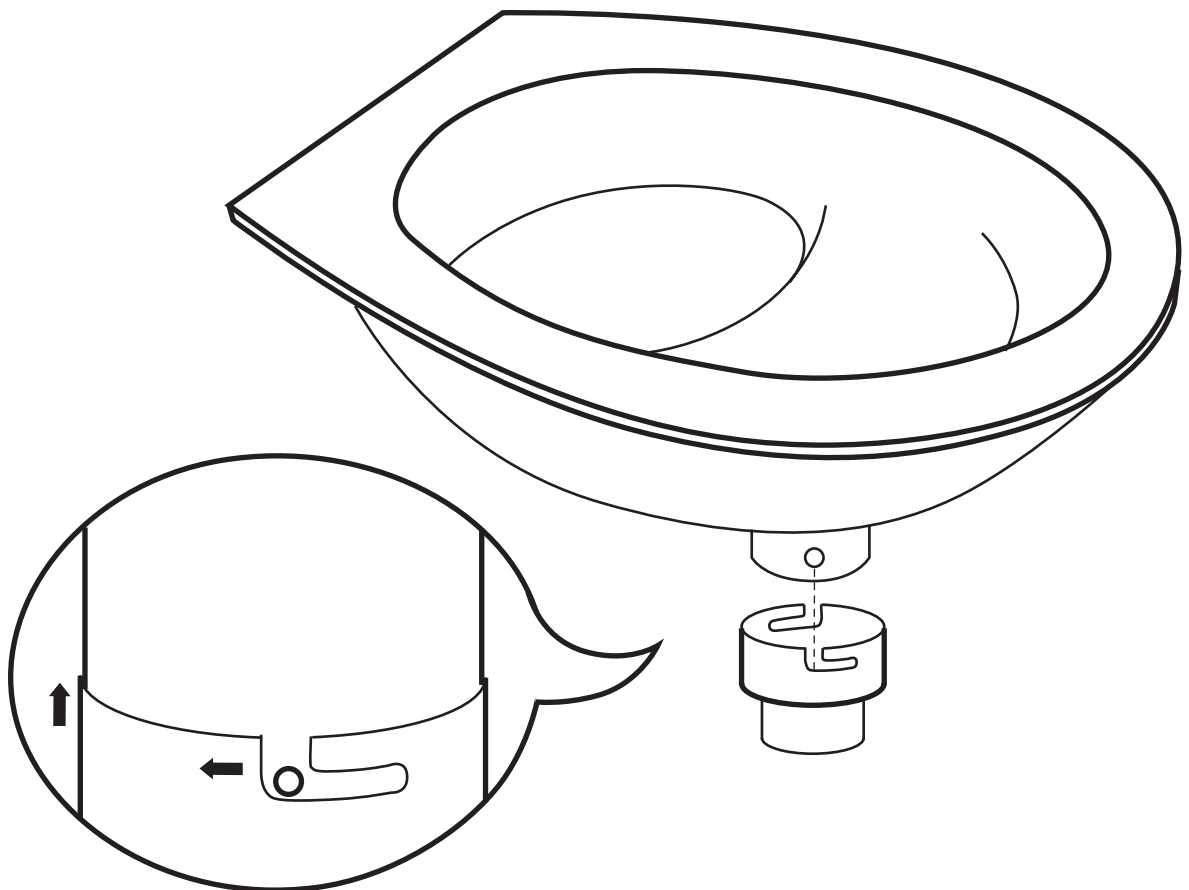
U6GXX1358



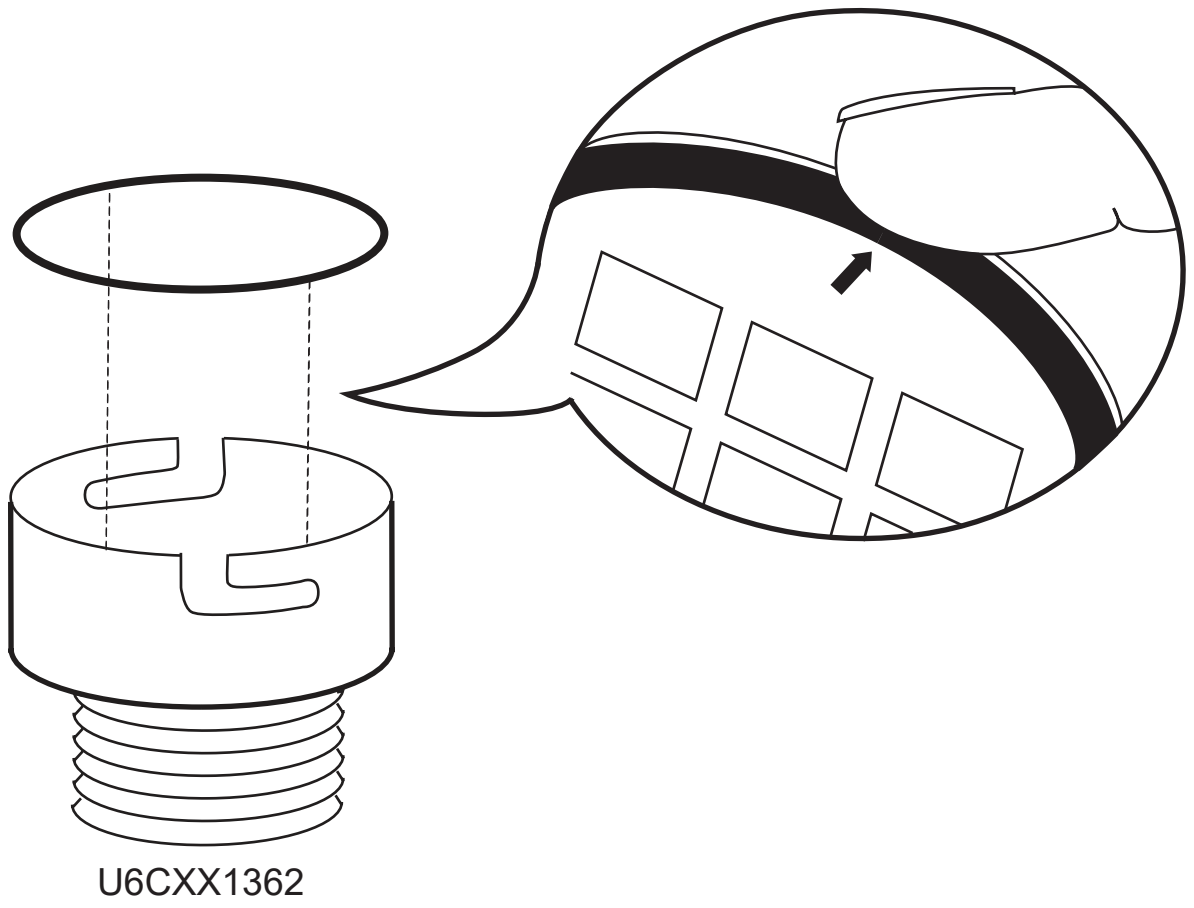
1



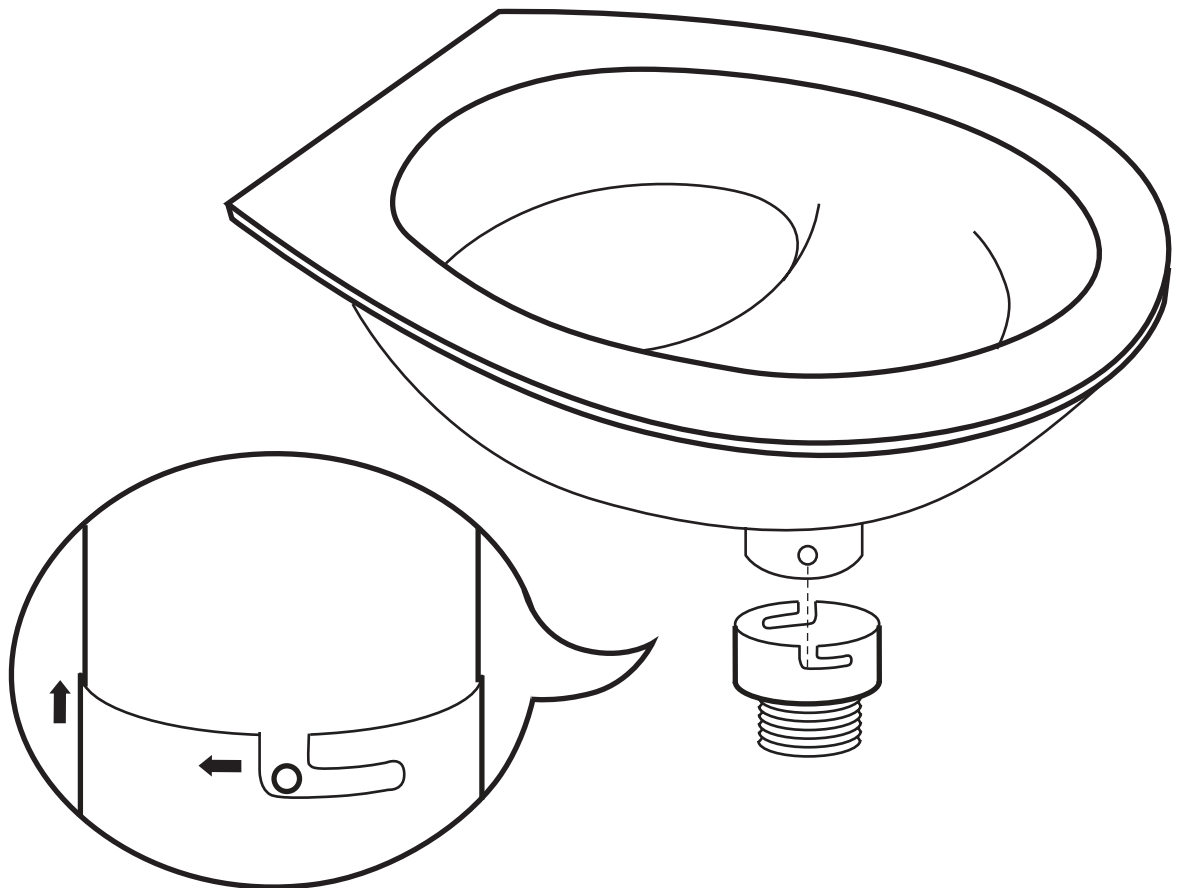
2



1



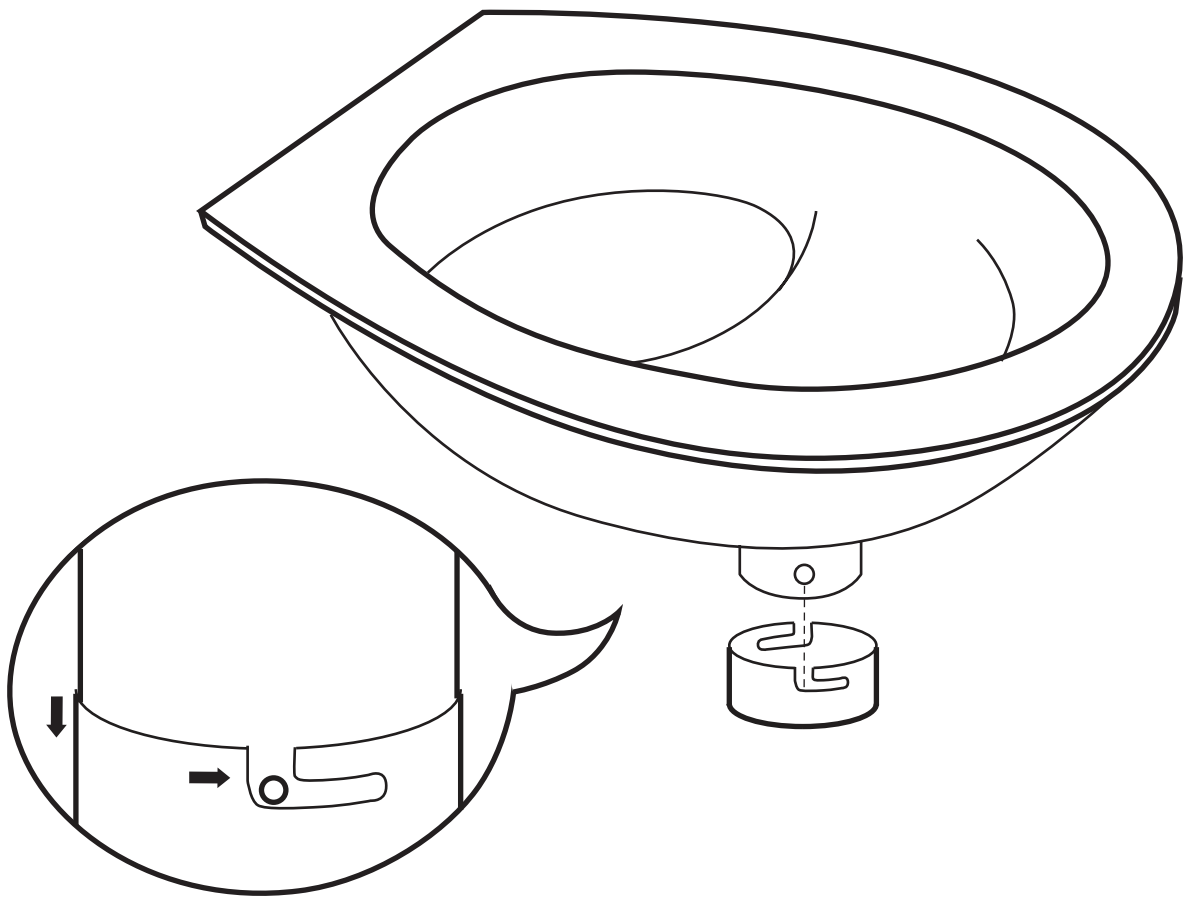
2



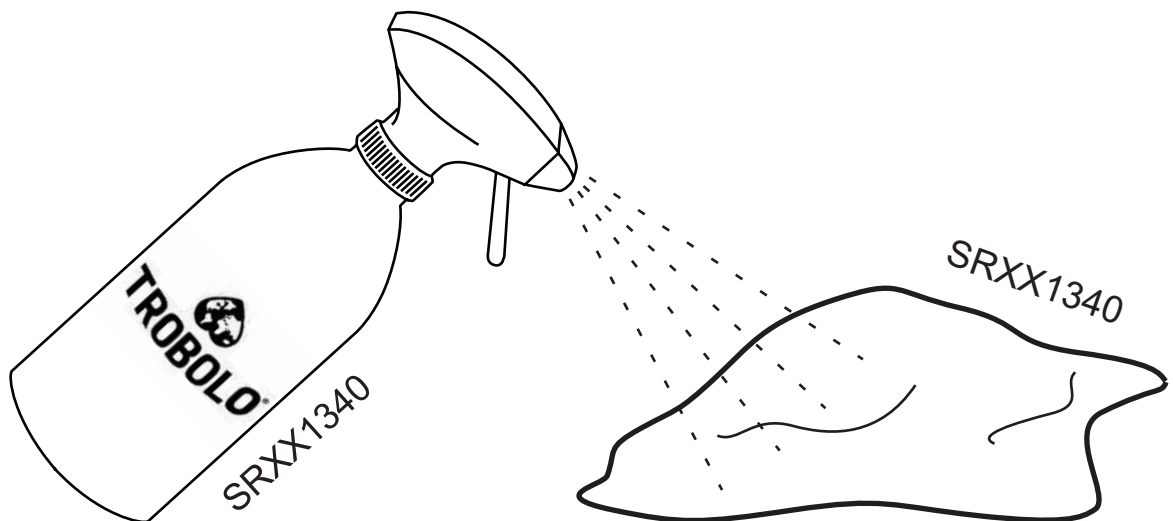
Cleaning

Reinigung / Nettoyage

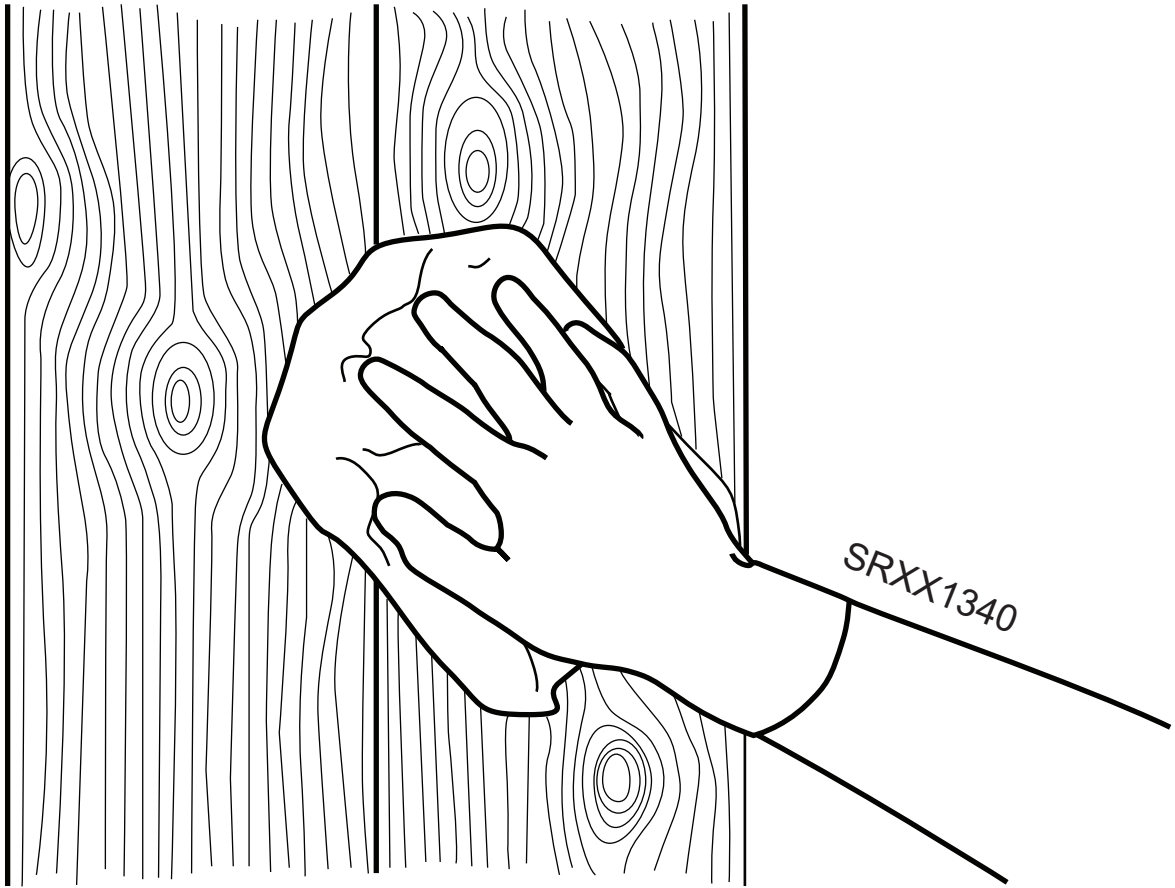
1



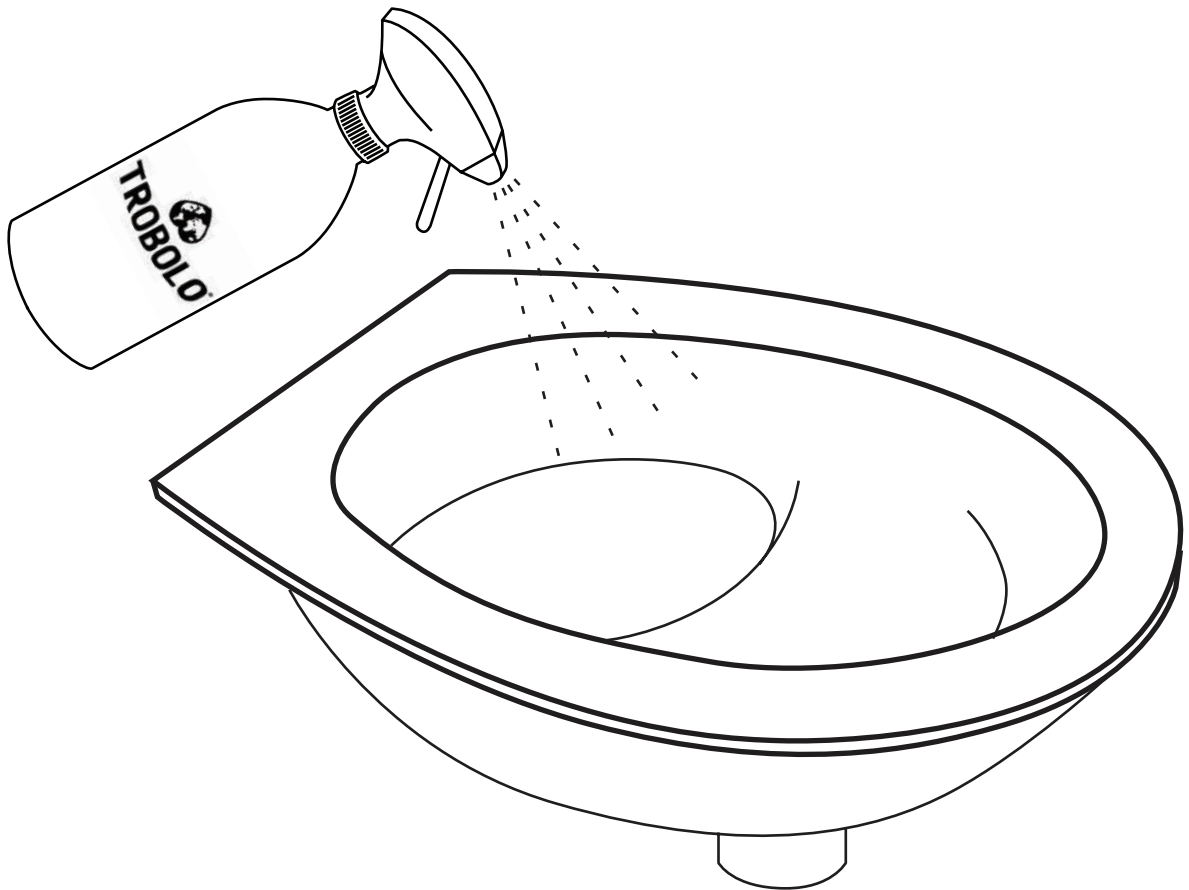
2



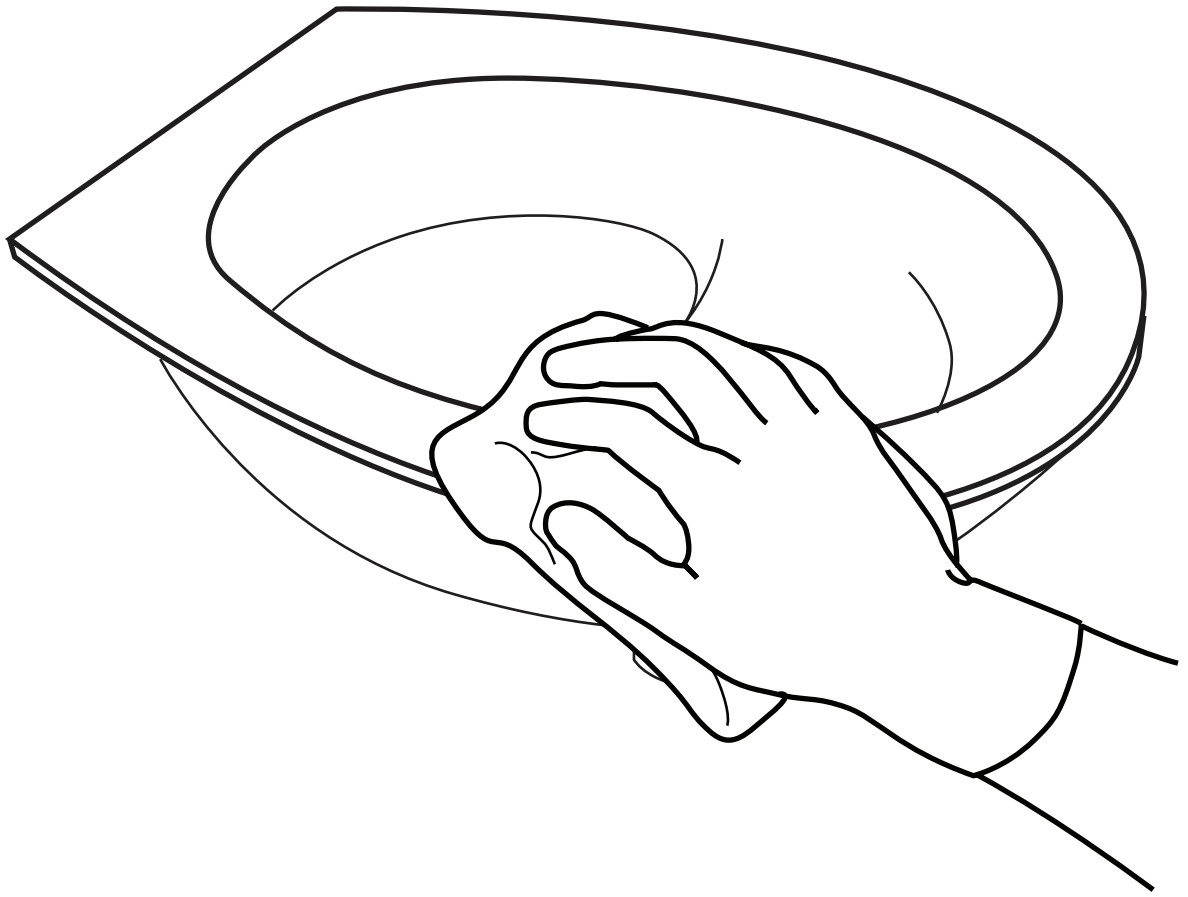
3



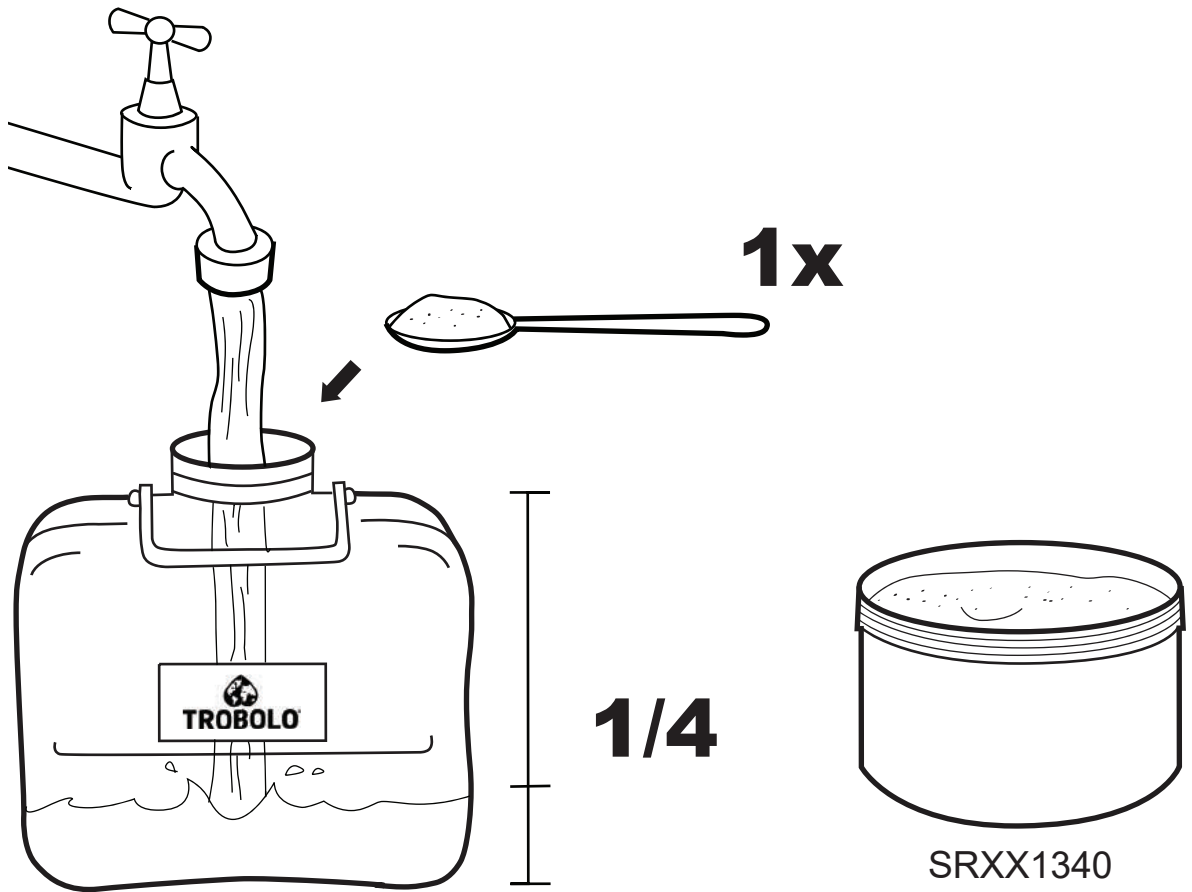
4



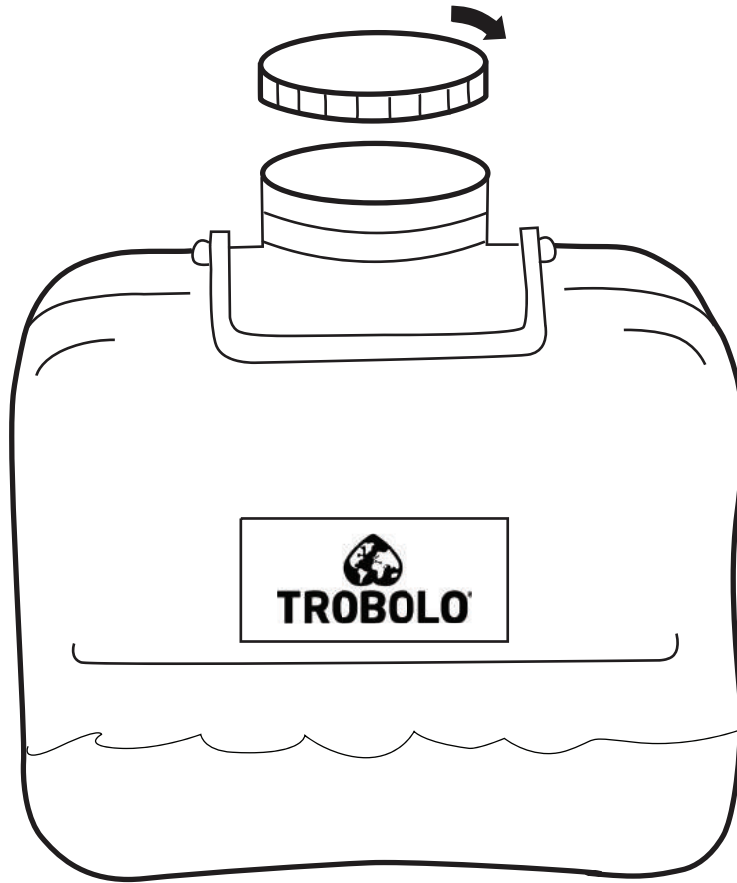
5



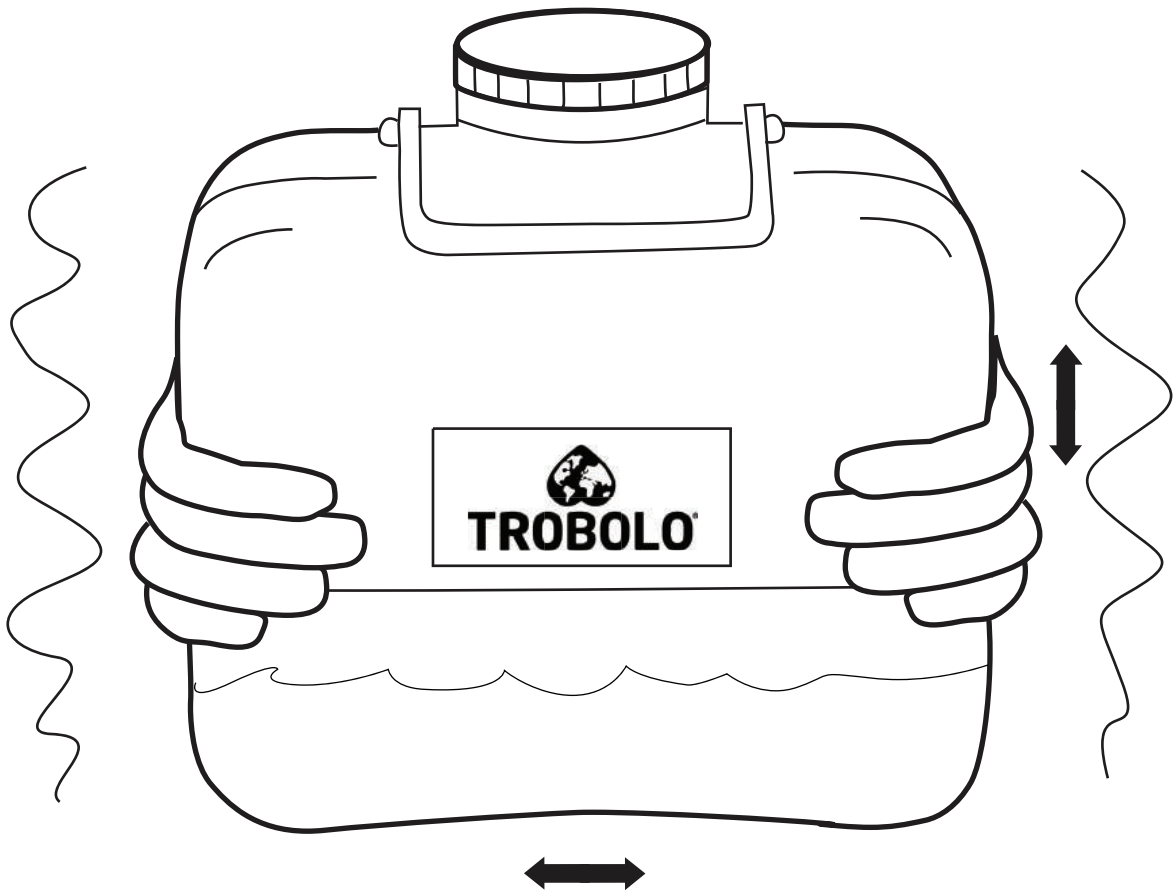
6



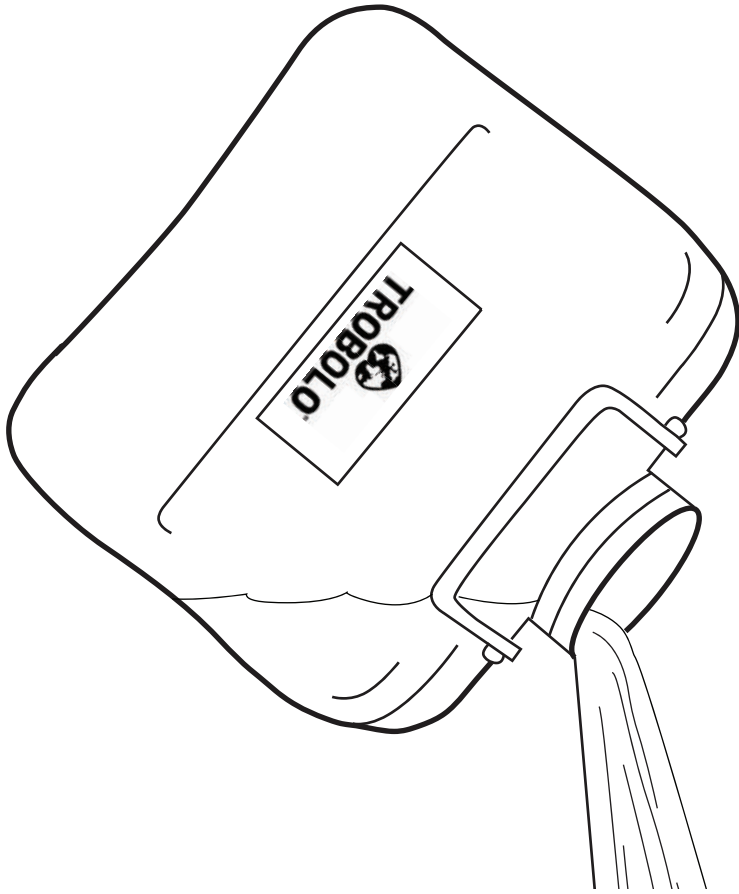
7



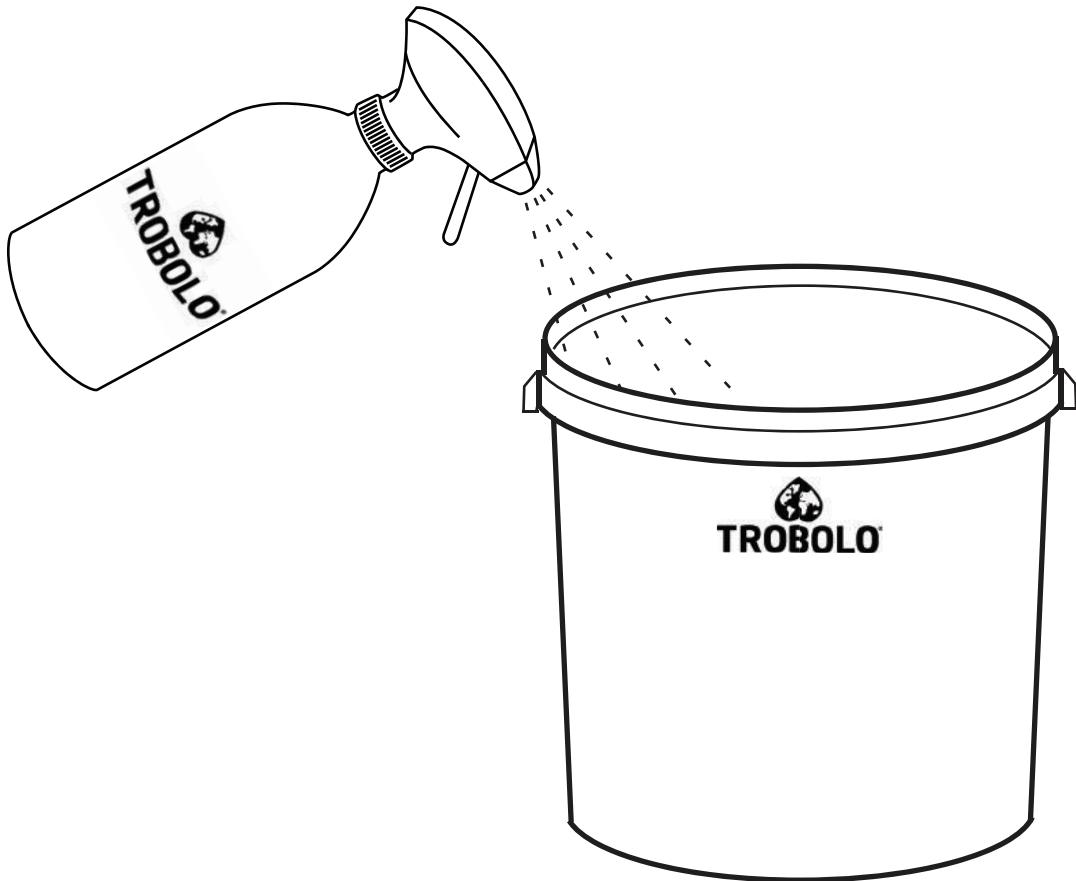
8



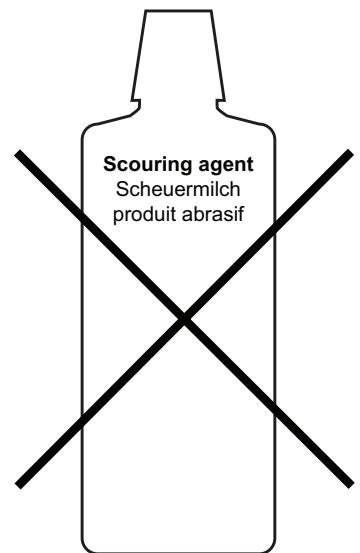
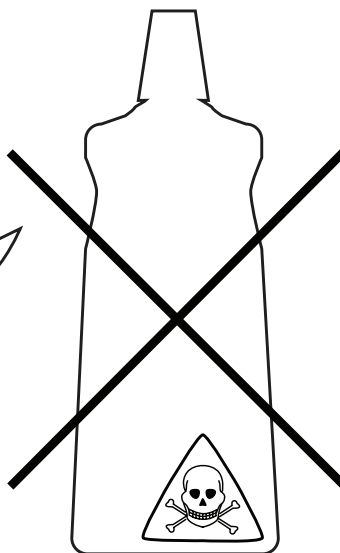
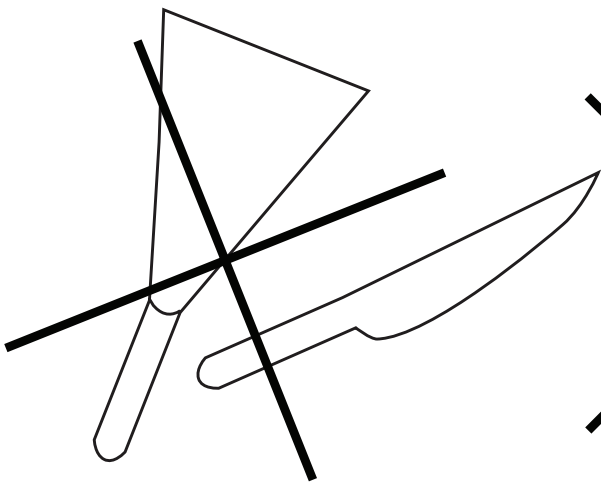
9



10

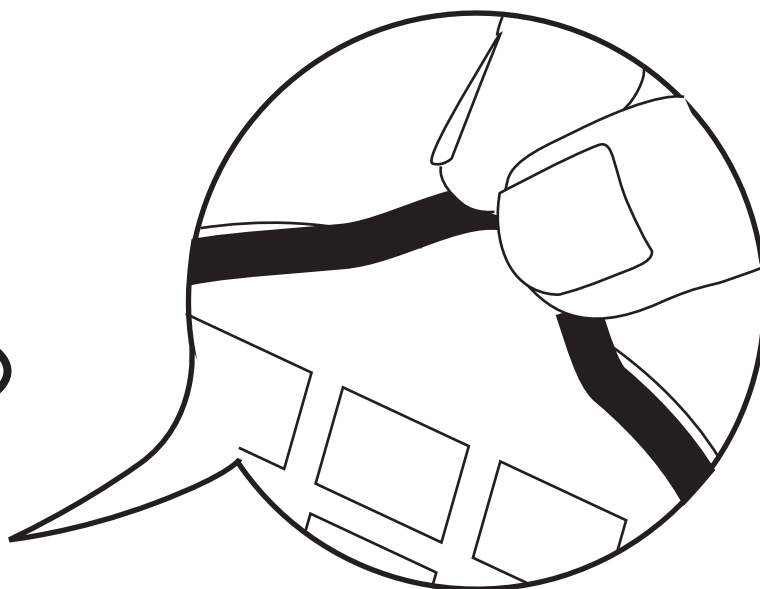
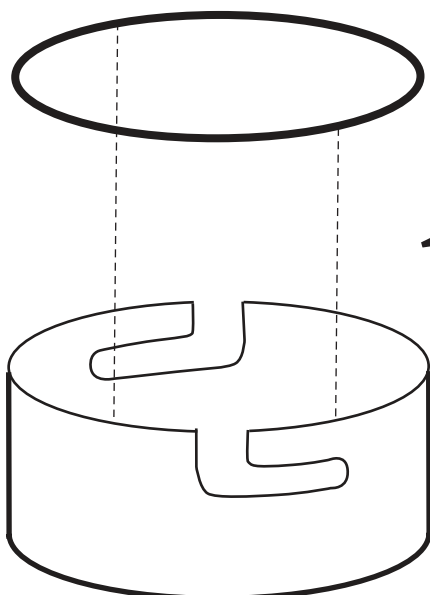
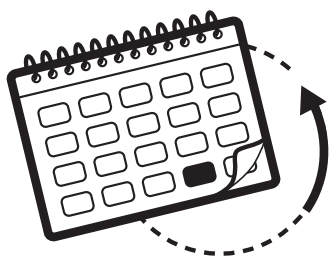


11



Replacement of the seal

Austausch der Dichtung / Remplacement du joint en caoutchouc



U6AXX1360

U6BXX1361

U6CXX1362



TROBOLO®

Designed in Germany.
Manufactured in Europe.

www.trobolo.com