



Ministry
of Transportation and Infrastructures

DEPARTMENT OF LAND TRANSPORTATION AND INFORMATION AND STATISTICAL SYSTEMS
Office of Traffic Control and Land Transportation Safety – MOT 2

EC TYPE-APPROVAL CERTIFICATE

Statement concerning

- type-approval
- extension of type-approval
- refusal of type-approval
- revocation of approval

of a type of vehicle/~~component~~/technical entity as regarding directive 74/408/EEC, last amended by directive 96/37/EC.

Type-approval number: **e3*74/408*96/37*1549*01**

Reason for extension: **modifications made to the svivel plate**

PART I

- 0.1 Trademark (trade name of manufacturer): **FASP TAPPEZZERIA s.r.l.**
- 0.2 Type and general trade name (specify any variants):
FIAT AUTO S.p.A. 244 ????? ??? FASP TAPPEZZERIA s.r.l.
- 03. Means of identifying the type, if marked on vehicle / component/ technical entity:
- 03.1. Position of mark: **punched on right wheelhouse, interior cab compartment**
- 04. Vehicle category: **N1-N2-M1 special use MOTOR HOME (basic vehicle cat. N1)**
- 0.5. Name and address of manufacturer: **FASP TAPPEZZERIA s.r.l. Via Golgi, 27 - 25064 GUSSAGO (Brescia)**
- 0.7. For components and technical entities, position and method of application of the EC type-approval mark: **N/A**
- 0.8. Address of assembly plant/s: **Via Golgi, 27 - 25064 GUSSAGO (BS)**

PART II

1. Other information (where suitable): see Addendum I
2. Technical service in charge of tests: **C.S.R.P.A.D. ROME** (Higher Research Center for Automotive Vehicle and Device Testing)
3. Date of test report: **08 June 2004**
4. Test report number: **9442/CE**
5. Observations: see Addendum I
6. Place: **ROME**
7. Date: **16 July 2004**
8. Signature: **DIRECTOR (Mr. Alessandro DE GRAZIA, engineer)**
9. The table of contents of the type-approval file is attached, which has been filed with the type-approval authority and from which a copy may be requested.

*Addendum I to EC type-approval certificate n. e3*74/408*96/37*1549*01*

concerning type-approval of a vehicle as regarding directive 74/408/EEC, last amended by directive 96/37/EC.

1. Other information:
 - 1.1. Brand name and type of approved seats, as components (if present): **original FIAT or FASP**
 - 1.2. For each row of seats: single / ~~bench, stationary~~/ adjustable, ~~stationary~~ / adjustable back, ~~folding~~ / reclining back
 - 1.3. Position and layout of seats: **2 front seats facing forward**
 - 1.4. Eventual seats with integrated safety belt anchorage: **N/A**
 - 1.5. For each seat, type of headrest: ~~integrated~~ / removable / ~~separate~~: **original FIAT or FASP**
 - 1.6. Brief description of the type of vehicle with regard to seat anchorage and the minimum distance between them (in the case of type-approval issued for seat anchorage of vehicles in categories M2 and M3): **N/A**
5. Observations: **with the same seat anchorage and the same safety-belt anchorage, the FASP swivel plate may be installed with original seats, or rather the FASP plate with FASP seats.**

FASP TAPPEZZERIA S.r.l.		
INFORMATION DOCUMENTATION TABLE OF CONTENTS		
Information document number	FTPEHS11	Date 11 May 2004
0.-	GENERAL DATA	Page 1
1.-	GENERAL CONSTRUCTION CHARACTERISTICS OF THE VEHICLE	Page 1
9.-	BODY	Page 1
DOCUMENTS ATTACHED TO THE INFORMATION DOCUMENT		
ATTACHMENT -A-	DRAWINGS	page 1
ATTACHMENT -B-	PHOTOS	page 1
<p>[STAMP: DEPARTMENT OF LAND TRANSPORTATION AND INFORMATION AND STATISTICAL SYSTEMS <i>Office of Traffic Control and Land Transportation Safety – MOT 2</i> TYPE-APPROVED with certificate n. e3*74/408*96/37*1549*01 on 16 July 2004]</p>		
S.T.C. Studio Tecnico Consociato Altobelli & Anzillotti Via Monte Pollino, 5 – Località Colleverde 00010 Guidonia (ROMA) – Telephone 0774365012 Fax 0774365015 Site www.stceurope.it e-mail s.t.c@libero.it - stc.european.group@libero.it - info@stceurope.it		

e3*74/408*96/37*1549*01 (Stamp and signature)

In accordance with Attachment I of Directive 70/156/EEC regarding EEC type-approval of a vehicle concerning seats, their anchorage, and headrests (Directive 74/408/EEC, last amended by directive 96/37/EC)

ATTACHMENT I- Appendix I

INFORMATION DOCUMENT

Number/date **FTPEHS11** **11 May 2004**

TRADE NAME OF MANUFACTURER

FASP TAPPEZZERIA S.r.l.

TRADE NAME OF MANDATORY

N/A

MOTOR VEHICLE

AUTOMOTIVE VEHICLE

TYPE DESIGNATION

FIAT AUTO S.p.A. 244 ????? ??? FASP TAPPEZZERIA S.r.l.

S.T.C. Studio Tecnico Consociato Altobelli & Anzillotti
Via Monte Pollino, 5 – Località Colleverde 00010 Guidonia (ROMA) – Telephone 0774365012 Fax 0774365015
Site www.stceurope.it e-mail s.t.c@libero.it - stc.european.group@libero.it - info@stceurope.it

e3*74/408*96/37**1549*01 (Stamp and signature)

FASP TAPPEZZERIA 25064 Gussago (Brescia)	Dir. 74/408/EEC, last amended by Dir. 96/37/EC		PAGE	1
	MOTOR VEHICLE		DATE	11 May 2004
	FIAT AUTO S.p.A. 244 ????? ??? FASP TAPPEZZERIA S.r.l.		Information Doc. No. FTPEHS11	File: 260hfds0.xls
0.	GENERAL DATA			
0.1.	Brand name (trade name of manufacturer): FASP TAPPEZZERIA S.r.l.			
0.2.	Type and general trade name(s): FIAT AUTO S.p.A. 244 ????? ??? FASP TAPPEZZERIA S.r.l.			
0.3.	Means of identifying the type, if marked on vehicle: ZFA244000*????????			
0.3.1.	Position of mark: on right wheelhouse, interior cab compartment.			
0.4.	Vehicle category: N1-N2-M1 MOTOR HOME for special use (basic vehicles belonging to category N1).			
0.5.	Name and address of manufacturer: FASP TAPPEZZERIA S.r.l. Via Golgi, 27 25064 Gussago (Brescia)			
0.5.1.	Name and address of mandatory: N/A			
0.8.	Address of assembly plant/s: FASP TAPPEZZERIA S.r.l. Via Golgi, 27 25064 Gussago (Brescia)			
1	GENERAL CONSTRUCTION CHARACTERISTICS OF THE VEHICLE			
1.1.	Photos and/or drawings of a representative vehicle: - omission-			
9.	BODY			
9.1.	Type of body: CHASSIS-CAB			
9.2.	Materials and construction methods: Steel construction with the use of standard marketed sections.			
9.10.	Interior finishes: -omission-			

e3*74/408*96/37*1549*01 (Stamp and signature)

FASP TAPPEZZERIA 25064 Gussago (Brescia)	Dir. 74/408/EEC, last amended by Dir. 96/37/EC		PAGE	2
	MOTOR VEHICLE		DATE	11 May 2004
	FIAT AUTO S.p.A. 244 ????? ??? FASP TAPPEZZERIA S.r.l.		Information Doc. No. FTPEHS11	File: 260hfds0.xls
9.10.3	Seats			
9.10.3.1	Number: 2			
9.10.3.2	Position and layout: front seats: 2 facing forward rear seats: N/A			
9.10.3.3	Mass: front seats: 30 kg (+) including plate rear seats: N/A			
9.10.3.4.	Characteristics of non-approved seats such as components, descriptions and drawings			
9.10.3.4.1	Seats and their anchorage: front seats: See original vehicle (+). See type-approval no. --- Rear seats: N/A See type-approval no. ---			
9.10.3.4.2	Adjustment device: front seats: adjustable back, see original vehicle or FASP seat. See type-approval no. --- Rear seats: N/A See type-approval no. ---			
9.10.3.4.3	Movement and locking devices: front seats: Longitudinal and height, see original vehicle (+) See type-approval no. --- Rear seats: N/A See type-approval no. ---			
9.10.3.4.4	Safety belt anchorage (if incorporated in seat structure): Every anchorage consists of a hole with a threaded bushing for 7/16" bolt, see original vehicle. See type-approval no. --- See type-approval no. ---			
9.10.3.4.5	Parts of seat used as anchorage: front seats: See original vehicle (+). Rear seats: N/A			
9.10.3.5	Coordinates or diagram of point R (x)			
9.10.3.5.1	Driver's seat: see drawings, Attachment -A-			
9.10.3.5.2	All other seats: N/A			
9.10.3.6	Design seat-back angle			
9.10.3.6.1	Driver's seat: See original vehicle or FASP seat.			
(+) swivel connection plate, mark FASP and type 1305.3998R for permitting seat rotation.				

e3*74/408*96/37*1549*01 (Stamp and signature)

FASP TAPPEZZERIA 25064 Gussago (Brescia)		Dir. 74/408/EEC, last amended by Dir. 96/37/EC		PAGE	3
		MOTOR VEHICLE		DATE	11 May 2004
		FIAT AUTO S.p.A. 244 ????? ??? FASP TAPPEZZERIA S.r.l.		Information Doc. No. FTPEHS11	File: 260hfds0.xls
9.10.3.6.2.	All other seats:	front seats: See original vehicle or FASP seat.			
		rear seats: N/A			
9.10.3.7.	Seat adjustment range				
9.10.3.7.1.	Driver's seat:	See original vehicle.			
		(longitudinal 160 mm, height 80 mm)			
9.10.3.7.2.	All other seats:	front seats: See original vehicle.			
		longitudinal 160 mm or			
		longitudinal 160 mm and height 80 mm.			
		rear seats: N/A			
9.10.4.	Headrest				
9.10.4.1.	Type of types of headrest:	See original vehicle or FASP seat.			
9.10.4.2.	Type-approval number (if available):	front seats: See original vehicle.			
		rear seats: N/A			
9.10.4.3.	For headrests not yet approved				
9.10.4.3.1.	Detailed description of the headrest, indicating in particular the nature of the stuffing material or materials and, where applicable, the position and specifications of the stiffeners and the anchorage elements for the type or types of seats for which type-approval is requested:				
	N/A				
9.10.4.3.2.	In the case of "separate" headrest:				
9.10.4.3.2.1	Detailed description of the part of the structure destined for headrest assembly:				
	N/A				
9.10.4.3.2.2	Dimensioned drawings of elements characteristic of the structure and the headrest:				
	N/A				
	Note: The FASP seats considered are from the 200, 300, 740, 850, and 960 series.				

Basic file: schopsal.xls

e3*74/408*96/37*1549*01 (Stamp and signature)

ATTACHMENT -A-

(DRAWINGS)

REFERENCE INFORMATION DOCUMENT

Number/date

FTPEHS11

11 May 2004

TRADE NAME OF MANUFACTURER

FASP TAPPEZZERIA S.r.l.

TRADE NAME OF MANDATORY

N/A

MOTOR VEHICLE

AUTOMOTIVE VEHICLE

TYPE DESIGNATION

FIAT AUTO S.p.A. 244 ????? ??? FASP TAPPEZZERIA S.r.l.

ATTACHMENT -A- TABLE OF CONTENTS

SUBJECT	Reference	Page
Point R diagram	FTPEHD11	1
FASP swivel plate drawing	FTPEHD12	2

S.T.C. Studio Tecnico Consociato Altobelli & Anzillotti
Via Monte Pollino, 5 – Località Colleverde 00010 Guidonia (ROMA) – Telephone 0774365012 Fax 0774365015
Site www.stceurope.it e-mail s.t.c@libero.it - stc.european.group@libero.it - info@stceurope.it

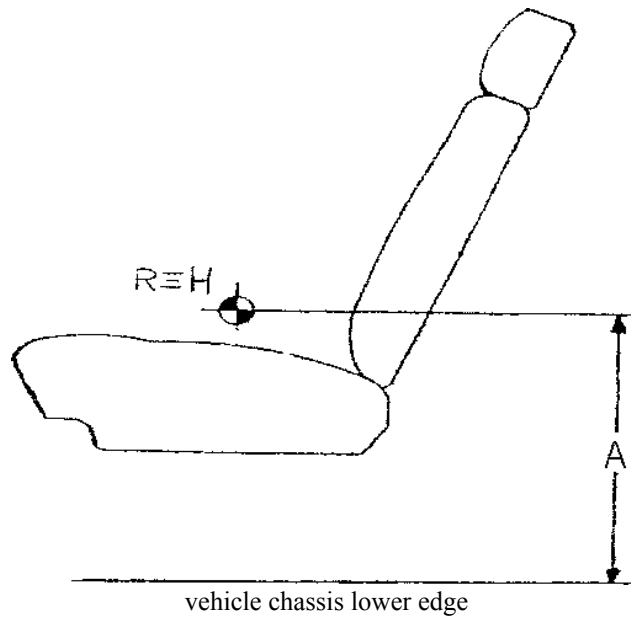
e3*74/408*96/37*1549*01 (Stamp and signature)

FASP TAPPEZZERIA 25064 Gussago (Brescia)	Dir. 74/408/EEC, last amended by Dir. 96/37/EC MOTOR VEHICLE FIAT AUTO S.p.A. 244 ????? ??? FASP TAPPEZZERIA S.r.l.		ATTACHMENT A
			PAGE 1
			DATE 11 May 2004
	Information Doc. No. FTPEHS11	File: 260hfds0.xls	

Point R diagram

DRAWING Number

FTPEHD11



A

original
745 mm

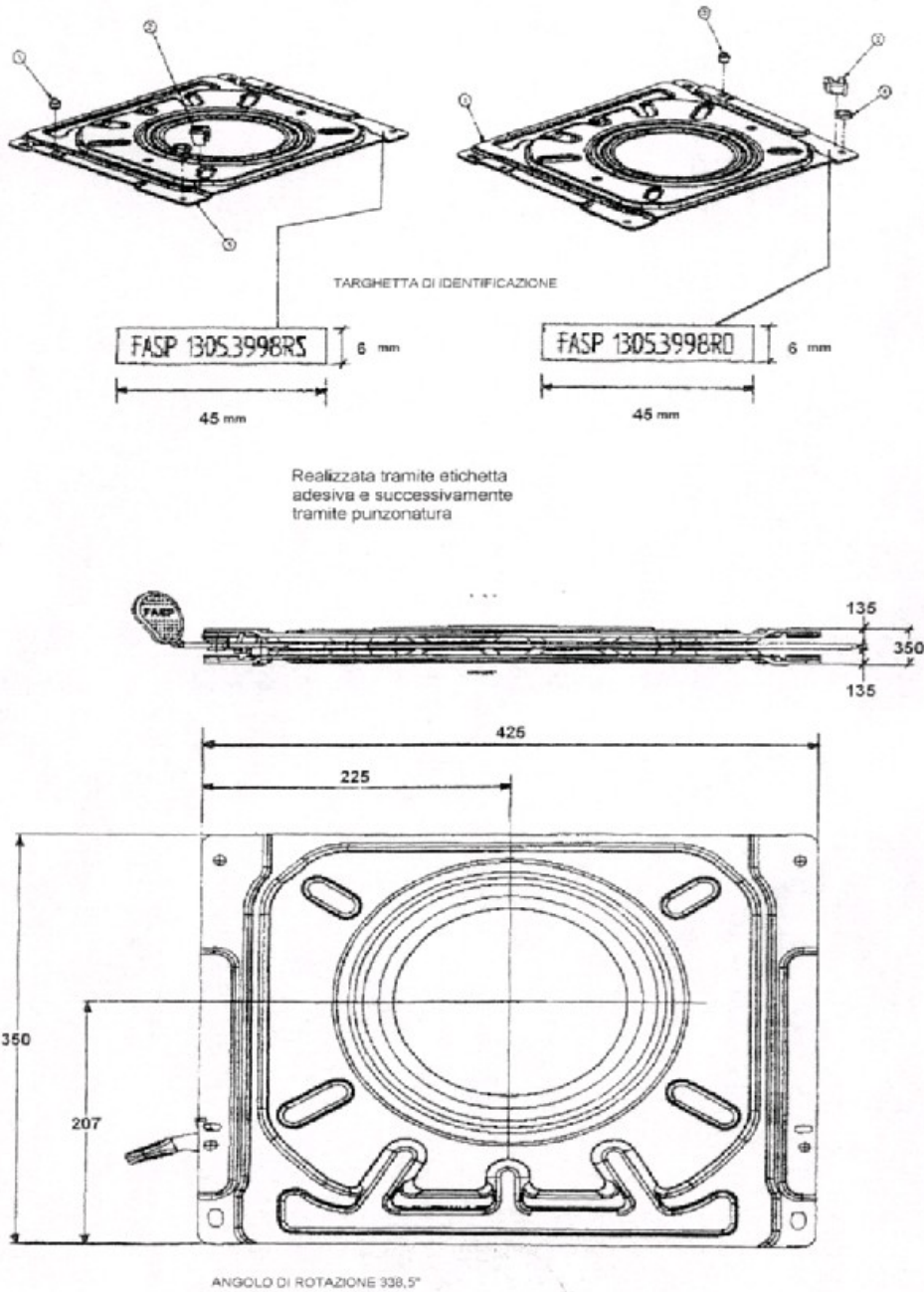
with FASP plate
776 mm

FASP TAPPEZZERIA 25064 Gussago (Brescia)	Dir. 74/408/EEC, last amended by Dir. 96/37/EC MOTOR VEHICLE FIAT AUTO S.p.A. 244 ????? ??? FASP TAPPEZZERIA S.r.l.		ATTACHM ENT	A
			PAGE	2
	Information Doc. No. FTPEHS11		File: 260hfds0.xls	DATE

FASP swivel plate drawing

DRAWING Number

FTPEHD12



e3*74/408*96/37*1549*01 (Stamp and signature)

ATTACHMENT -B-

(PHOTOS)

REFERENCE INFORMATION DOCUMENT

Number/date

FTPEHS11

11 May 2004

TRADE NAME OF MANUFACTURER

FASP TAPPEZZERIA S.r.l.

TRADE NAME OF MANDATORY

N/A

MOTOR VEHICLE

AUTOMOTIVE VEHICLE

TYPE DESIGNATION

FIAT AUTO S.p.A. 244 ????? ??? FASP TAPPEZZERIA S.r.l.

ATTACHMENT -A- TABLE OF CONTENTS

SUBJECT	Reference	Page
FASP swivel plate	FTPEH#11	1

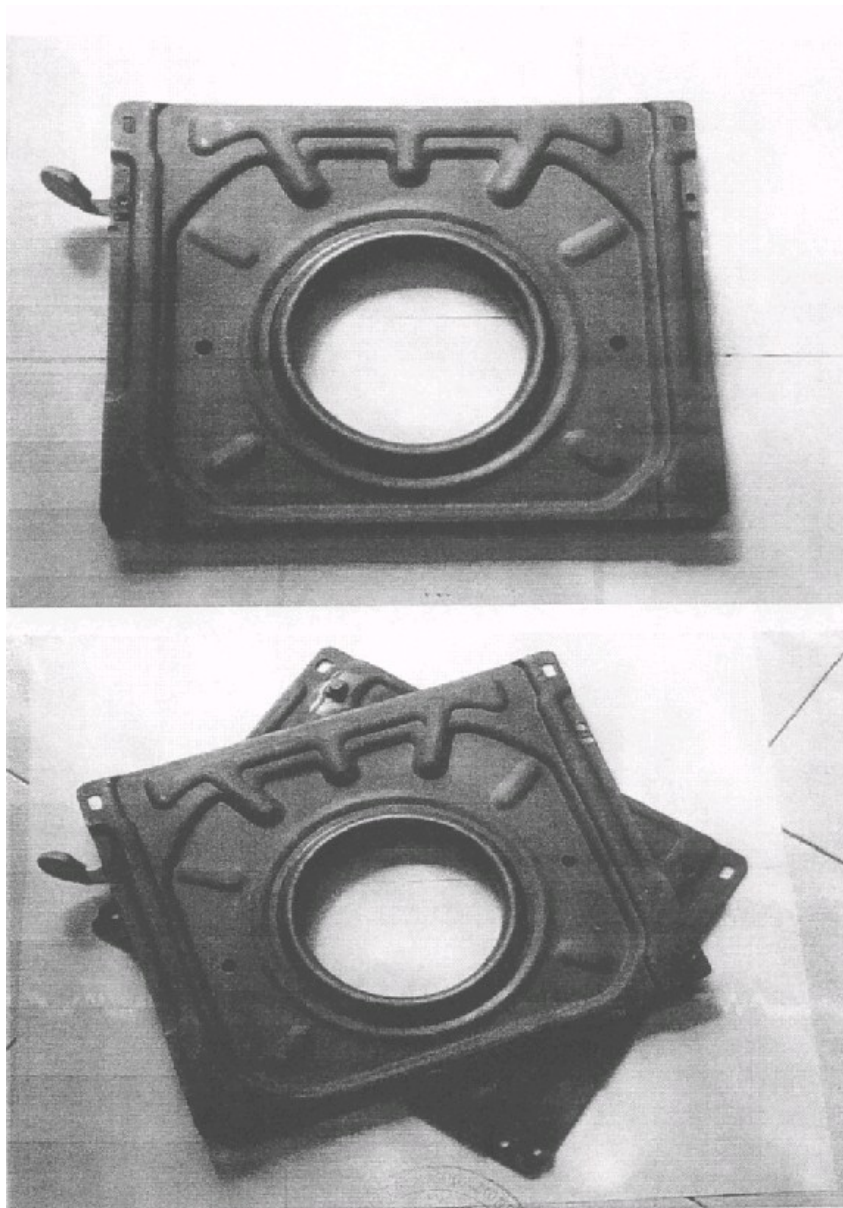
S.T.C. Studio Tecnico Consociato Altobelli & Anzillotti
Via Monte Pollino, 5 – Località Colleverde 00010 Guidonia (ROMA) – Telephone 0774365012 Fax 0774365015
Site www.stceurope.it e-mail s.t.c@libero.it - stc.european.group@libero.it - info@stceurope.it

e3*74/408*96/37*1549*11 (Stamp and signature)

FASP TAPPEZZERIA 25064 Gussago (Brescia)	Dir. 74/408/EEC, last amended by Dir. 96/37/EC		ATTACHM ENT	B
	MOTOR VEHICLE		PAGE	1
	FIAT AUTO S.p.A. 244 ????? ??? FASP TAPPEZZERIA S.r.l.		DATE	11 May 2004
	Information Doc. No. FTPEHS11	File: 260hfs0.xls		

FASP swivel plate

FTPEH#11





Ministry
of Transportation and Infrastructures

DEPARTMENT OF LAND TRANSPORTATION AND INFORMATION AND STATISTICAL SYSTEMS
Higher Research Center for Automotive Vehicle and Device Testing
Via di Settebagni n°333 00138 Roma - Tel. 06-872881 Fax 06-87133903

Prot. no. 2893/04

Rome, 25 JUNE 2004

To the Ministry of Transportation and Infrastructures –
General Office of Traffic Control and Land
Transportation Safety
Div. MOT2
Via G. Caraci, 36 - 00156 ROMA

and CC: To: FASP TAPPEZZERIA S.r.l.
Via Golgi, 27
25064 Gussago (Brescia)

OBJECT: Company FASP TAPPEZZERIA S.r.l.
Automotive vehicle
FIAT AUTO S.p.A. 244 ????? ???FASP TAPPEZZERIA S.r.l.
Extension to partial type-approval according to Directive 96/37/EC
regarding the resistance of seats, their anchorage, and headrests.

FASP TAPPEZZERIA S.r.l. presented the application stated above in order to obtain partial type-approval, according to Directive **96/37/EC** as regards the vehicles indicated in the object.

The presented automotive vehicle has successfully passed the inspections and tests foreseen by the cited directive, and therefore the following are sent:

- application presented by the company with a stamp certifying that the stamp duty was paid.
- report no. 9442/CE of 08 June 04 ;
- information documentation

This certifies that the company has paid the charges stated in law 01/12/1986, no. 870 (Regional Administrative Court of Law 6).

A copy of the report is sent to the applicant company.

THE DIRECTOR
(Mr. Carlo Alberto BARBI, engineer)

MINISTRY OF TRANSPORTATION AND INFRASTRUCTURES

DEPARTMENT OF LAND TRANSPORTATION AND INFORMATION AND STATISTICAL SYSTEMS

HIGHER RESEARCH CENTER FOR AUTOMOTIVE VEHICLE AND DEVICE TESTING

ROME

Report no. 9442/CE

**INSPECTIONS AND TESTS REGARDING THE RESISTANCE OF SEATS, THEIR ANCHORAGE,
AND HEADRESTS (Directive 74/408/EEC – 96/37/EC).**

0. GENERAL DATA

0.1	Brand name (company name)	FASP TAPPEZZERIA S.r.l.
02	Type and trade name	FIAT AUTO S.p.A. 244 ????? ??? FASP TAPPEZZERIA S.r.l.
0.3	Product:	Automotive vehicle
0.4	Category:	N1-N2-M1 for special use MOTOR HOME (basic vehicles belonging to category N 1)
0.5	Name and address of Manufacturer	FASP TAPPEZZERIA S.r.l. Via Golgi, 27 - Gussago (Brescia)
0.6	Name and address of manufacturer's mandatory:	N/A
0.7	Place and date of inspections and tests:	Rome, 08 June 2004
0.8	Prototype presented for tests:	N/A
	Identification number of chassis:	N/A
		Maximum mass technically permitted: 3,850 kg.

INTRODUCTION

Note that the anchoring system of the seats remains unchanged as regards the anchoring system referred to in report n. 9089/CE dated 05 May 2003.

The only variation regards the FASP swivel plate 1305.3998R already foreseen in the reference partial type-approval n. e3*74/408*96/37*1549*00, which has been subject to modifications compared to the former indicated in the same report.

INSPECTIONS

The visual inspections performed on the FASP swivel plate 1305.3998R modified with the addition of ribbing on the sheet metal and with the change of the lever position which allows the same plate to swivel, therefore lead to the consideration that the anchorage of the seats is in no way altered. The inspections performed in relation to the above mentioned report, attached to this present document, are therefore retained valid.

The technical features of the plate in question have been checked and confirmed as seen in the information document n. FTPEHS11, attached to this present report.

The FASP swivel plate 1305.3998R is identified by the registration plate which states the name of the manufacturer and product type.

The photographs of the above mentioned swivel plate are illustrated in Attachment I.

CONCLUSIONS

In consideration of that stated above, the vehicles stated in point 0.2. are declared in conformity with the requirements stated in Directive 74/408/CE - 96/37/CE.

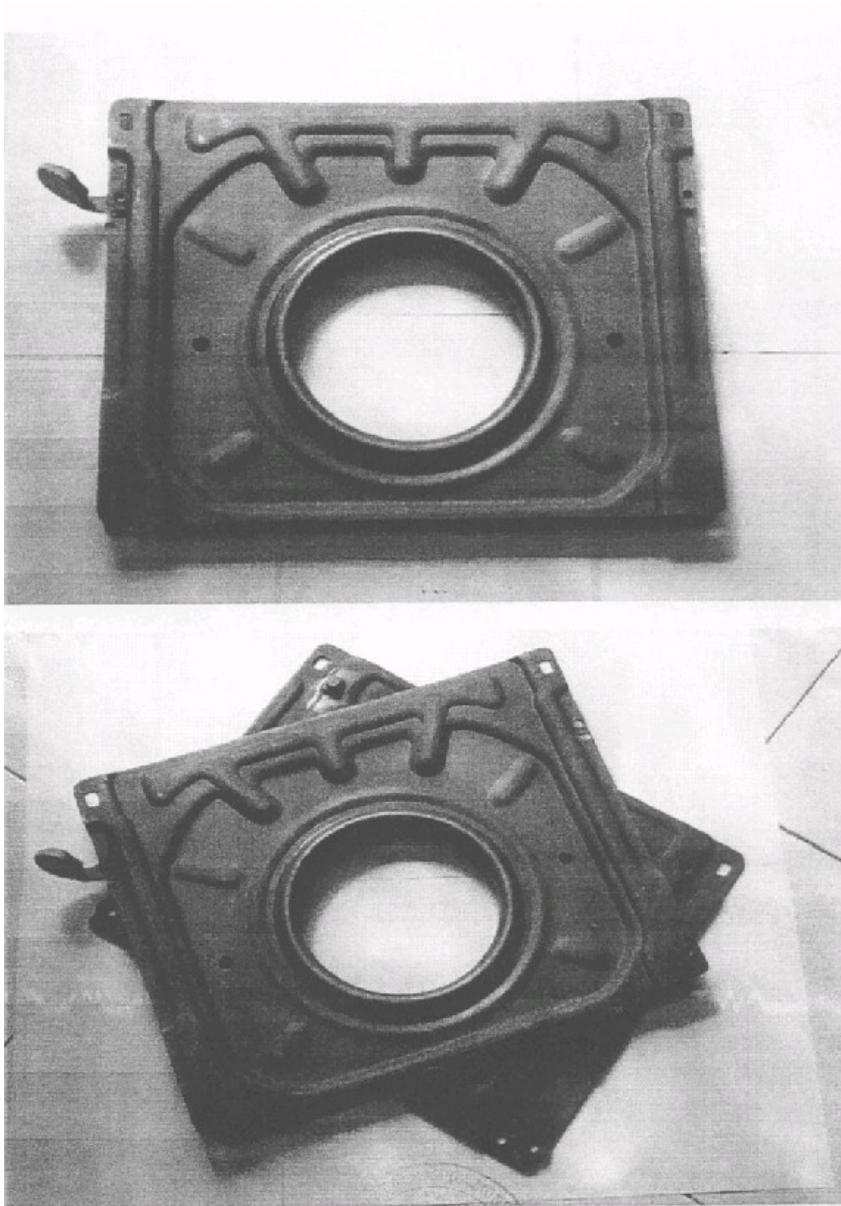
Rome, 08 June 2004

Official of C.S.R.P.A. di Roma
(P.I. Mario VALENTE)

The representative of the applicant company
(S.T.C. Altobelli & Anzillotti)
(P.I. Francesco ALTOBELLI)

THE DIRECTOR of C.S.P.A.D.
(Mr. Carlo Alberto BARBI, engineer)

FASP type 1305.3998R SWIVEL PLATE



MINISTRY OF TRANSPORTATION AND INFRASTRUCTURES

DEPARTMENT OF LAND TRANSPORTATION AND INFORMATION AND STATISTICAL SYSTEMS

HIGHER RESEARCH CENTER FOR AUTOMOTIVE VEHICLE AND DEVICE TESTING

ROME

Report no. 9089/CE

**INSPECTIONS AND TESTS REGARDING THE RESISTANCE OF SEATS, THEIR ANCHORAGE,
AND HEADRESTS (Directive 74/408/EEC – 96/37/EC).**

0. GENERAL DATA

0.1	Brand name (company name)	FASP TAPPEZZERIA S.r.l.
02	Type and trade name	FIAT AUTO S.p.A. 244 ????? ??? FASP TAPPEZZERIA S.r.l.
0.3	Product:	Automotive vehicle
0.4	Category:	N1-N2-M1 for special use MOTOR HOME (basic vehicles belonging to category N 1)
0.5	Name and address of Manufacturer	FASP TAPPEZZERIA S.r.l. Via Golgi, 27 - Gussago (Brescia)
0.6	Name and address of manufacturer's mandatory:	N/A
0.7	Place and date of inspections and tests:	Pomezia, 05 May 2003
0.8	Prototype presented for tests:	FIAT AUTO S.p.A. DUCATO 244
	Identification number of chassis:	ZFA244000*07198126
		Maximum mass technically permitted: 3,850 kg.

INTRODUCTION

The seats, which may be original or FASP type 306 located in the driver's cab, are transformed by means of their interposition with the base plate - a plate that permits 360° rotation on the horizontal plane. Installation of the device with which rotation is obtained (commonly called the swivel plate), by FASP TAPPEZZERIA S.r.l. type 1305.3998, is also permitted on one seat only in the driver's cab. The presented vehicle proves in accordance with the description contained in the technical documentation produced by the manufacturer (information document no. FTPDGS21 and the drawings attached to it).

INSPECTIONS

According to appendix 1 note G to attachment XI of Directive 2001/116CE, inspections and tests were carried out in compliance with category N1 basic incomplete vehicle according to attachment IV of the norm in question. The concerned vehicle is equipped with the following seats:

1 (one) seat (driver's) with longitudinal adjustment, adjustable back, sitting with adjustable height and pivoting, headrest

1 (one) seat (passenger's) with longitudinal adjustment, adjustable back, sitting with pivoting, headrest.

The passenger's seat may be supplied in the version with adjustable height.

In any case, note that the anchoring system of the seats did not sustain serious deformation or breakage during tests carried out to verify the anchorage of the safety belts (lower inner anchorage of the safety belt is obtained on the seat), as inferred from test report 9090/CE.

THE PHOTOS OF ATTACHMENT I ILLUSTRATE THE SWIVEL PLATE.

CONCLUSIONS

In consideration of that stated above, the vehicles stated in point 0.2. are declared in conformity with the requirements stated in Directive 74/408/CE - 96/37/CE.

Rome, 05 May 2003

Official of C.S.R.P.A. di Roma
(P.I. Mario VALENTE)

The representative of the applicant company
(S.T.C. Altobelli & Anzillotti)
(P.I. Francesco ALTOBELLI)

THE DIRECTOR of C.S.P.A.D.
(Mr. Carlo Alberto BARBI, engineer)

C.T.A. type CPGPD01 SWIVEL PLATE

