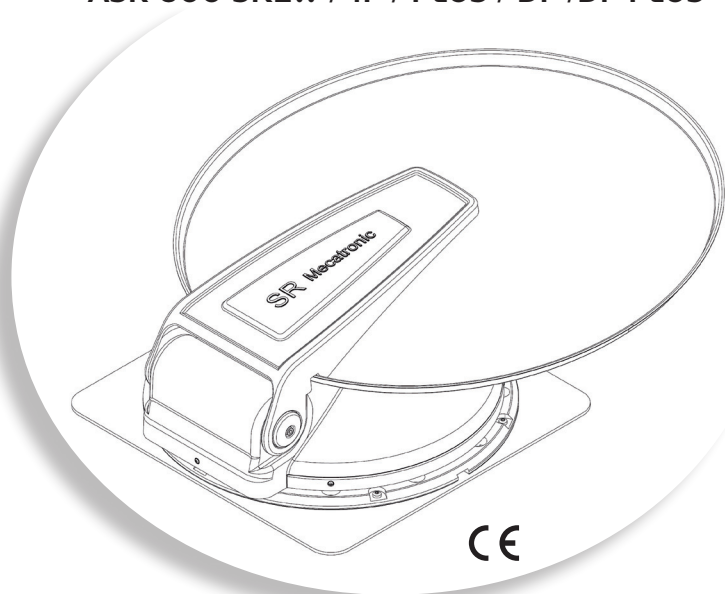


CARBEST

INNOVATIONS FOR MOBILE LIFE

**AUTOMATIC SATELLITE DISH
AUTOMATISCHE SATELLITENANTENNE
ANTENNA SATELLITARE AUTOMATICA**

**ASR 680 SKEW / 1P / PLUS / DF /DF PLUS
ASR 800 SKEW / 1P / PLUS / DF /DF PLUS**



CE

DVB S2

GB

D

IT

**INSTALLATION AND USE MANUAL
GEBRAUCHS-UND INSTALLATIONSHANDBUCH
MANUALE PER L'USO E PER L'INSTALLAZIONE**

TABLE OF CONTENTS



1 INTRODUCTION

1.1 Symbols used.....	Page 3
1.2 Proper use	Page 3
1.3 Description	Page 4
1.4 Components.....	Page 5
1.5 Technical specifications.....	Page 6

2 INSTALLATION

2.1 Assembly instructions of the external unit	Page 7
2.2 Assembly instructions of the cable run box	Page 8
2.3 Assembly instructions of the control box	Page 9
2.4 Assembly instructions of the control unit for Led and Plus versions...	Page 9
2.5 Electrical connections.....	Page 10

3 GENERAL SAFETY REGULATIONS

3.1 Working area	Page 12
3.2 Safety and electric supply	Page 12
3.3 People's safety	Page 12
3.4 Safety during assembly	Page 13

4 USE

4.1 Destination of use	Page 13
4.2 Description of the 1P control panel	Page 14
4.3 Switching on	Page 16
4.4 Satellite search and selection	Page 16
4.5 Satellite dish parking.....	Page 17
4.6 Switching off	Page 17
4.7 Programming the display languages.....	Page 18
4.8 Special notes	Page 18

5 DISPOSAL.....	Page 19
-----------------	---------

6 INFORMATION

6.1 Service	Page 19
6.2 Warranty	Page 20
6.3 Manufacturer's declaration of conformity.....	Page 21
6.4 Troubleshooting	Page 22
6.5 BlueTooth app association	Page 24









Congratulations on buying this Carbest satellite dish with automatic tracking. This is a technologically advanced and high quality product for satellite TV reception in vehicles.

Before installing and operating the, satellite system examine carefully the functions of the device and its proper use.

Carefully read this use manual and always keep it close to the device for quick and easy reference. If the device is transferred to a third party, do not forget to pass on all the necessary documents.

1.1 Description of the symbols used

	Read the instructions manual		Important warning
	Keep to the safety warnings		Dispose of the device in an environmentally friendly manner
	Operations to be performed exclusively by authorised and trained personnel		See the picture concerning the letter shown

1.2 Proper use



Correct use of your Carbest automatic satellite dish, check the following:

1.2.1 Make sure that no trees, walls, buildings or other objects that may compromise the reception of the TV satellite signal are close to the satellite dish before opening it. (see pictures 1A and 1B)



1.2.2. Before switching the system on, make sure that there are no obstacles that might hinder the opening and rotation of the satellite dish (tree branches, balconies, canopies, etc)

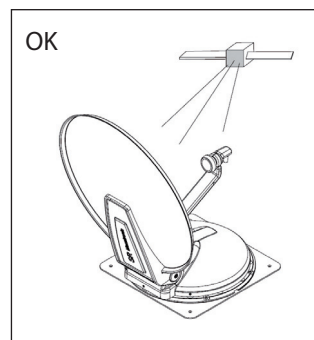
1.2.3 The satellite dish has been designed and tested to resist a wind speed of 120 km/h. However, in the case of very strong wind, we suggest you keep the satellite dish closed because its wide surface may cause damage stress to the roof of your vehicle.

1.2.4 The battery voltage must always be sufficient; if the supply voltage is lower than 10V, the electronic safety circuit will prevent the satellite dish from being lifted.

1.2.5 The battery voltage must always be sufficient; if the supply voltage is lower than 10V, the electronic safety circuit will prevent the satellite dish from being lifted.

1.2.6 The satellite dish must be used only if the external temperature is between -15°C and + 45°C. Using the satellite dish outside these values may damage the satellite dish or cause malfunctions.

1.2.7 After using the satellite dish and before moving off, make sure that the satellite dish is closed. In any case, do not move until the audible signal that indicates that the dish is parked turns off.



1.3 Description

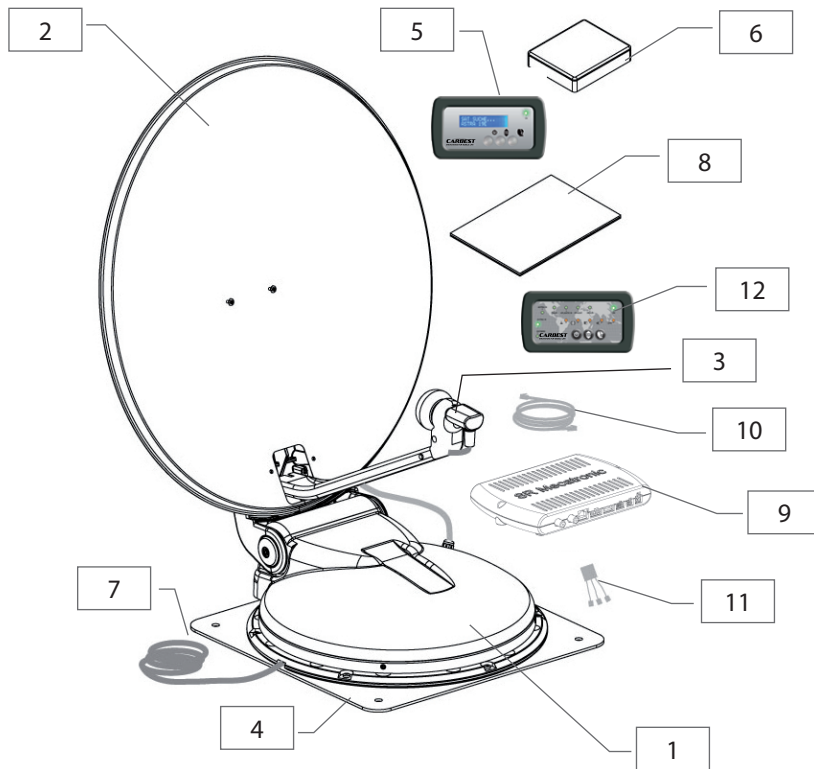
Your ASR satellite dish uses a totally automatic satellite tracking system.

This system can track satellites that give a signal modulated in QPSK, according to the DVB-SI EN 300 468 Standard, and can hence:

- search the selected satellite
- park the satellite dish

1.4 Components

- 1 Motor-driven external unit
- 2 Offset satellite dish with a diameter of 65-80 cm
- 3 Universal LNB
- 4 Assembly plate
- 5 User control panel, display version (only plus models)
- 6 Watertight box for the inside passage of the cables
- 7 Wiring
- 8 Assembly and use manual
- 9 Control box for external unit
- 10 Control panel – box rj45 connection cable
- 11 Box power connector
- 12 LED version user control panel (for the basic version)



1.5 Technical specifications

• Satellite dish	offset
• Search system	fully automatic NID recognition according to the DVB-SI EN 300 468 specifications
• IP version settable satellites	Only the manufactured default set satellite is available for this version (Hot Bird 13E in Italy, Astra 19 in France and Germany etc...)
• LED version settable satellites	7 (Hotbird 13E , Astra 19, Thor, Sirius Atl. Bird, Hispasat, Astra 28).
• Display version settable satellites	19 (Astra28E, Astra 19E, HotBird 13E, Eutelsat 16E, Sirius 5E, Thor 1W, AtlanticBird 5W, Hispasat 30W, Eutelsat 9E, Eutelsat 7E, Eutelsat 10E, Amos 4W, AtlanticBird 8W, IS-907 27.5W, Astra 23.5E, Hellas 39E, Turksat 42E, Sirius 5EN, Astra 19ES)
• Power supply	12V DC -20 + 30%
• Absorbed current	Max 4 Ampere
• Current absorbed in stand-by	≤ 5mA
• Weight	≤ 12 kg
• Protection fuse	5A
• Size (when closed)	height: 190 mm Width: 618 mm Length: 766 mm

INSTALLATION

2



Only specialised personnel should install the satellite dish. Incorrect installation may damage the system.



Before installation, open the carton packaging and make sure that the satellite dish is in good condition. Make sure that all parts described in the instruction manual are present. (SR Mecatronic does not accept any claims for damage caused by transport or missing material after the satellite dish has been installed).

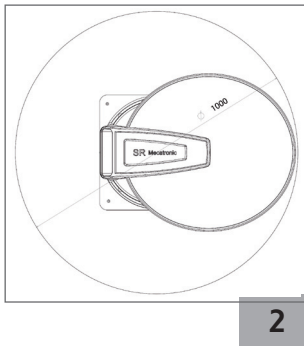
2.1 Assembly instructions of the external unit



CAUTION! Read carefully the safety standards concerning installation before installing the device. The non-observance of these instructions may lead to damage or serious injuries.



2.1.1 On the roof of the vehicle, find a sufficiently large area of roof (preferably at the sides of the roof) that allows for the positioning of the satellite dish (see picture 2)



2.1.2 Clean carefully the area of the roof selected for the installation of the external unit (remove oil, grease and dust). Carefully clean the lower part of the fastening plate in order to remove any trace of dust and grease.

2.1.3 With a silicon gun apply a homogenous layer of structural polyurethane adhesive at **ambient temperature** in the lower part of the fastening plate (dekasyl MS-2 OR MS-5 glue is recommended; keep to the instructions for application).

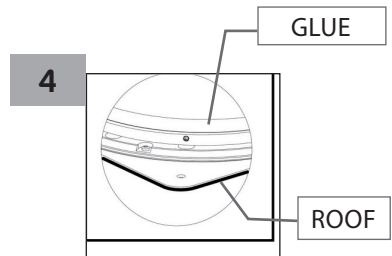
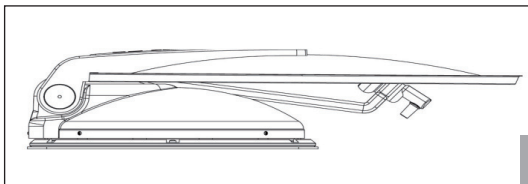
2.1.4 Position the external unit on the previously cleaned roof area. Push strongly on it in order to ensure a good distribution and adhesion of the glue.

CAUTION!!! When assembling the external unit, ensure that the bottom of the dish when closed is facing the direction of travel (see picture 3)

To complete the installation of the external unit, apply a layer of adhesive around the fastening plate in order to make it totally waterproof (see picture 4)

GB

 DIRECTION OF TRAVEL



Note: leave the adhesive to set for 24 hours before moving the vehicle

2.2 Assembly instructions of the cable run box

2.2.1 For easy and quick installation of the satellite dish, find a position on the roof where the supply and control box will be installed (see 2.3.1) .

2.2.2 With a 20 diameter hole cutter make a hole for the passage of the cables inside the vehicle's cabin.

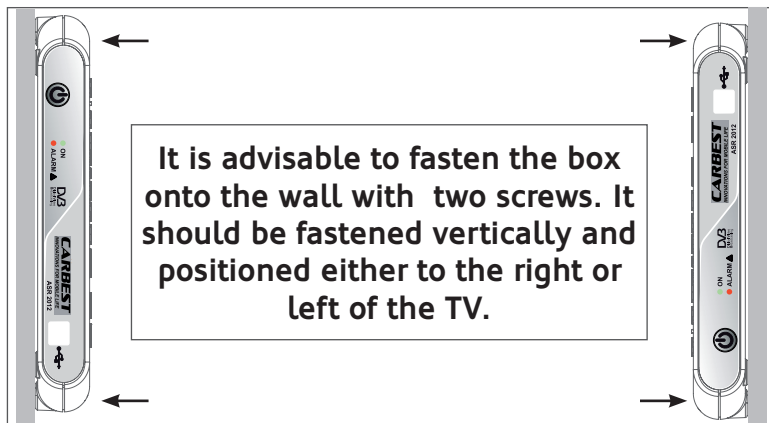
2.2.3 Clean and remove any grease from the surface around the hole. Take the cable box and make a hole in it so the M25 cable (which includes the sat cable and the internal connection cable) can pass through.

2.2.4 Run the cables inside, through the hole previously made in the roof and fix the cable firmly to the cable box with the bolt (supplied in the kit).

2.2.5 Apply a generous layer of polyurethane adhesive on the base of the box (use the same type as that used for the fastening of the external unit). Position the box on the roof close to the hole and press in order to ensure a good distribution and adhesion of the glue. Run the cables securely along the roof (insert them into a cable channel in order to protect them from UV rays) and bring the excess cables into the camper.

2.2.6 The cables must be fastened to the roof in order to prevent them from moving or being caught by objects such as branches.
The external assembly of the satellite dish is now complete.

2.3 Assembly instructions of the control box



5

2.3.1 Find a place inside the vehicle that is easily accessible to the user, preferably near the TV or inside a cupboard.

2.3.2 Position and fasten the wall box inside this accessible and ventilated area so that any service operations can be performed easily and quickly (see picture 5).



CAUTION! The ventilation of the device is important because it avoids overheating of the components.

GB

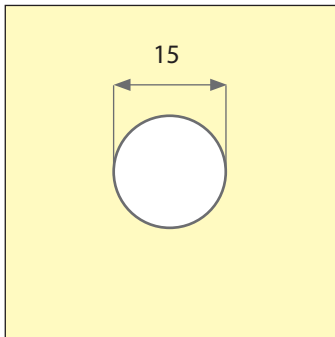
2.4 Assembly instructions of the internal control unit for LED and Plus versions

2.4.1 Find an area inside the vehicle that is easily accessible and visible from a distance less than 2 metres from the control box (i.e. the length of the connection cable between the box and control panel).

2.4.2 Use a hole cutter with a 15mm diameter to make a through hole at the point selected for the assembly (see drawing 6).

2.4.3 Run the RJ45 patch cat6 connection cable supplied with the satellite dish and connect the box to the internal control unit (see drawing 7/7.1).

2.4.4 Fasten the control unit by means of the 4 screws supplied (see drawing 6).



6



2.5 Electrical connections

2.5.1 Connect the grey cable from the external unit to its terminals on the internal control box (see drawing 7).

2.5.2 Connect the black coaxial cable from the satellite dish LNB to the F connector of the control box.

Note: in satellite dishes with dual output, the second black coaxial cable from the satellite dish must be directly connected to the second receiver (see drawing 7.1).

2.5.3 Insert the power connector supplied with the system into the special connector on the control box.

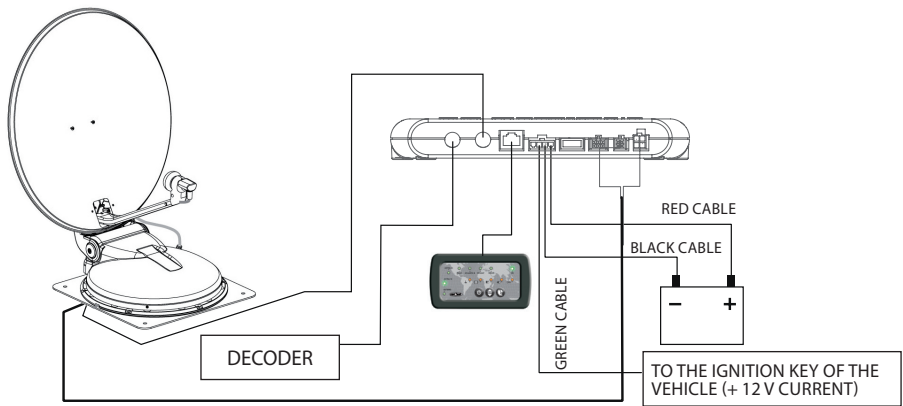
2.5.4 Connect the black cable of the power connector to the negative pole of the domestic battery and the red cable to the positive pole of the domestic battery.

2.5.5 Connect the green cable of the power connector to the special D+ position on the vehicle dashboard. This enables automatic closing of the satellite dish in case it is left in the up position.

In many cases the connection is on pin 15 of the general terminal board and in any case it corresponds to an active and positive voltage of +12 VDC generated when the vehicle ignition key is rotated. This connection prevents the operation of the satellite dish when the vehicle is moving or the ignition key is turned for ignition.

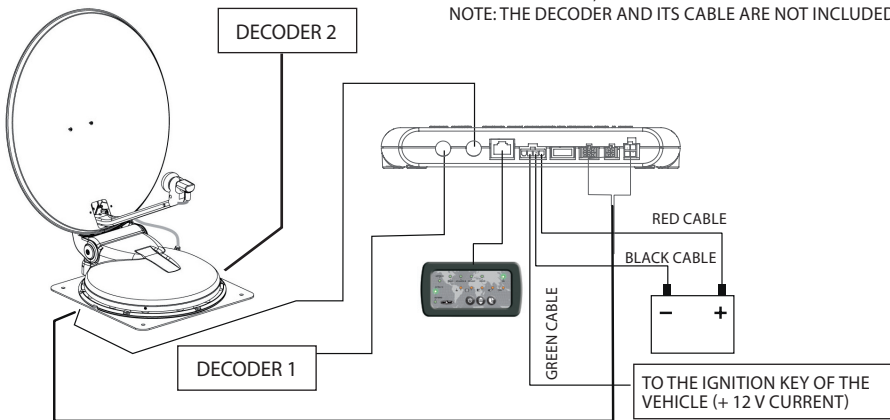
7

WIRING DIAGRAM, ONE-OUTPUT VERSION
NOTE: THE DECODER AND ITS CABLE ARE NOT INCLUDED



7.1

WIRING DIAGRAM, ONE-OUTPUT VERSION
NOTE: THE DECODER AND ITS CABLE ARE NOT INCLUDED



GB

GENERAL SAFETY REGULATIONS

3



CAUTION ! Read all the instructions.

The improper or non observance of these instructions may result in serious damage and injuries.

KEEP THESE INSTRUCTIONS

3.1 Working area



Before switching the system on, always make sure that the working area is free from obstacles (tree branches, protruding balconies etc.).

RISK OF DAMAGE TO SATELLITE DISH AND VEHICLE

3.2 Safety and electric supply

The device must be exclusively powered with 12 V, supplied directly from the service battery using cables with a minimum section of 2.5 mm.

If a 12V electric power supply is used instead of the battery, make sure that it is stabilised and able to deliver 3 Amps continuously and 10 Amps for short periods.

Do not use a poor quality battery charger that is not stabilised.

3.3 People's safety



Before enabling the opening of the satellite dish, make sure that nobody is on the vehicle roof. If someone is on the roof of the camper, he/she could be hit by the satellite dish when it is opened or closed.

RISK OF SERIOUS INJURY

3.4 Safety during assembly



For the assembly operations that imply the risk of fall, the necessary safety precautions must be adopted: for instance, a work bridge to be used when operating on the vehicle roof. Make sure that the roof of the vehicle has sufficient carrying capacity for the assembly operations.

Moreover, during assembly make sure that :

- The device is disconnected from the electric mains
- The person in charge of the assembly does not suffer from vertigo
- The person in charge of the assembly wears non-slip and accident-prevention shoes.
- Nobody is under the satellite dish during assembly.
- The lifting apparatus is non-slip and dry.
- The bridge and ladder are sufficiently stable and robust

USE

4

GB

4.1 Destination of use

The satellite dish is manufactured for the reception of digital TV and radio signals from a satellite only when the vehicle is stationary. The reception unit allows for the reception of satellite TV and radio signals whose frequency is included between 10.7 GHz. and 12.75 GHz. Any different use renders the warranty void.

Caution: SR Mecatronic does not accept any liability for damage caused by:



- Wrong use that does not comply with the intended use of the device
- Repairs not performed by authorised service centres
- Tampering with any mechanical components
- Use of non-original spare parts and fittings
- Non-observance of the instructions in this manual

IN THE ABOVE-MENTIONED CASES THE WARRANTY IS VOID

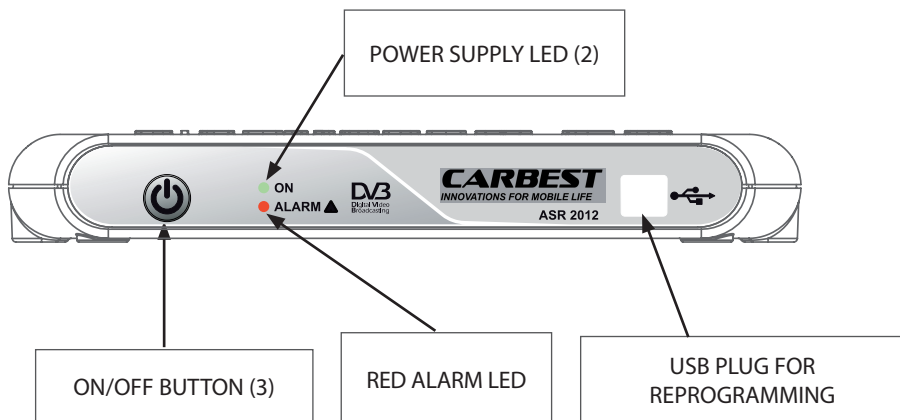
4.2. Description of the 1P control panel

Switching on

To switch on the system press the on/off (3) button on the control panel. When this button is pressed the red and green LED will simultaneously be switched on to check that the LEDs are working correctly. After a few seconds the red LED will turn off and the green LED will start to flash, to show that the system is searching for the satellite. Once the satellite has been found and confirmed the green LED will stop flashing and remain fixed. The green LED will then begin to flash very quickly when the signal is recognized and will go back to fixed mode as soon as the satellite is acknowledged.

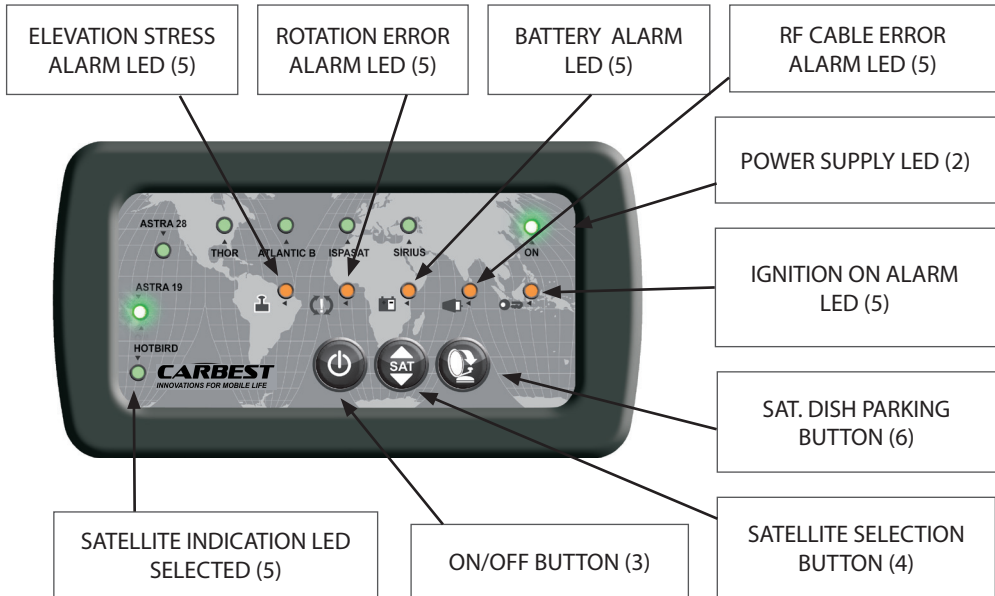
Parking/switching off

To park and therefore switch off the satellite dish press the on/off (3) button for a few seconds until the green LED starts to flash. This procedure must always be carried out before travelling in order to close the satellite dish and put it back into position for travelling. During this operation the green LED will keep flashing until the dish is completely closed and will only stop flashing once the dish has been fully closed..

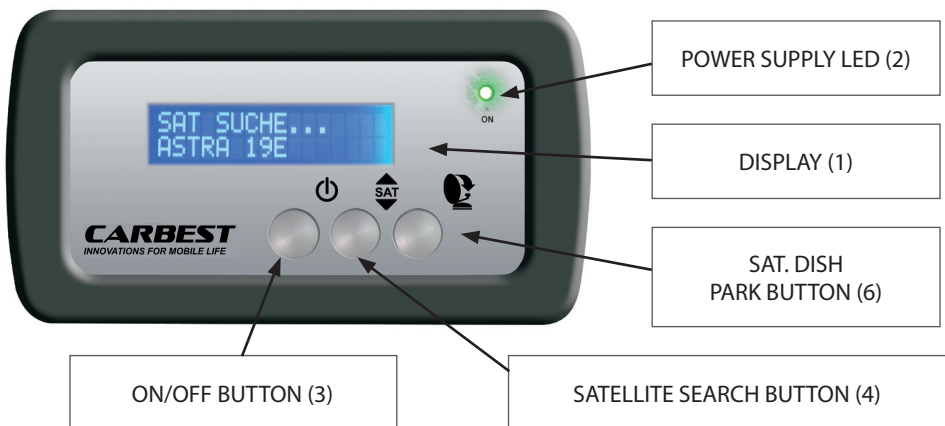


Please note that for any warning signals you must read paragraph 6.4.1

4.2.1 Description of the LED control panel



4.2.2 Description of the DISPLAY control panel





4.3 Switching on

Press the on / off (3) button on the control panel.

When the button is pressed, the following LEDs will turn on in the LED version:

- green supply LED (2) showing the supply condition
- green LED (5) for the selected satellite will flash while the system searches for the satellite.

The LED light is green and stays on once the satellite dish has locked on to the satellite.

- the green power LED (2) turns on to show the power condition
- the display shows the name of the selected satellite that the system will automatically search for.

Note: If the satellite dish is not in the parked position when the power is switched on, the system will close the satellite dish instead of performing the search.

4.4 Satellite search and selection.

The system starts searching for the previously selected satellite as soon as it is switched on.

If the satellite shown is not the one you want, press button (4) on the control panel and:

- a) Scroll through the list of stored satellites until you find the satellite you want (in the display version)
- b) Scroll through the different LEDs until the light on the LED of the satellite you want turns on (LED version).

The system will automatically search for the selected satellite and will store its position in order to facilitate and speed up subsequent searches.

If the satellite is not able to find the satellite after performing a full scan, the system will set the satellite dish to its parked position.

4.5 Satellite dish parking

Press button (6) to park the satellite dish

This operation must be performed before switching the power off and it brings the satellite dish to its parked and travel position.

If the button controlling this operation is pressed, the green LED starts flashing and will flash for all the time required for the closure of the satellite dish. The green LED will turn off when the closure of the dish is complete. In the display version the message (closure in progress) will appear.

4.6 Switching off

Switch off the satellite dish by pressing the ON / OFF button (3) and holding it for about 5 seconds.



CAUTION !!! Before switching off your satellite system by pressing button (3), make sure that the satellite dish is in parking position (button 6) .

If you switch off the satellite dish when it is not in the parked position, it will stay in the position it was before switching it off. The satellite dish will be brought back to its parked position by turning the vehicle ignition key, provided that the green cable has been correctly connected with + 12 V generated when the ignition key is turned.

4.7 Programming the display languages

4.7.1 Languages can be programmed in the display are: Italian, Spanish, French, English, German and Dutch.

4.7.2 To access the language programming menu:

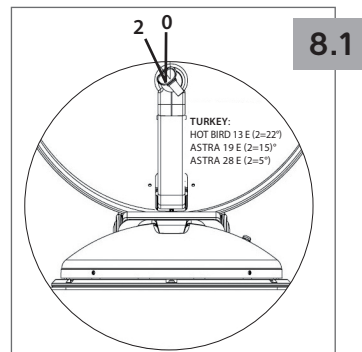
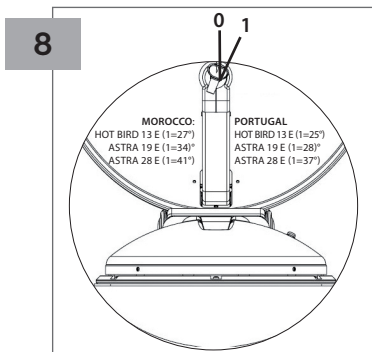
- Switch on the satellite dish by pressing ON (3)
- Wait for the start and then close the satellite dish by pressing the parking button (6).
- Wait for 5 seconds from closure, then press the satellite change button (4) and the parking button (6) simultaneously.
- If this operation is performed correctly, the currently set language will appear on the display, followed by 3 asterisks (ITALIAN ***, for instance)
- Press the satellite change button (4) several times in order to scroll through the menu until the desired language appears.
- Save the selected language by pressing the parking button (6). 3 dots will appear after a few seconds, confirming the new language.
- To leave the menu, press the satellite change (4) and parking (6) buttons simultaneously.

4.8 Special notes

The factory assembly position of the LNB is along the centre axis of the dish and in this position the LNB works properly in many places in Europe. However, if you are in a marginal area of the satellite footprint, the adjustment of the LNB angle can be critical.

In particular, if you wish to receive from Astra 28E, Astra 19E or Hot Bird 13E satellites while you are in Spain, Portugal, Italy or further afield, slightly loosen the screw that secures the LNB in order to rotate it.

For more information, consult your dealer.



In compliance with article 13 of Law Decree n. 151 of 25th July 2005 "implementation of the 2002/95/EC, 2002/96/EC and 2003/108/EC Directives concerning the reduction of hazardous materials in electric and electronic devices and of waste disposal"



This symbol means that this device must be disposed of separately from other waste and not in household waste after its use.

The user must dispose of this device in the special collection centres for electric and electronic waste, as regulated by the local legislation in force.

The proper selective waste collection, followed by recycling, treatment and eco-compatible disposal of the device, has a positive impact on the environment and health because it facilitates the re-use and recycling of the materials composing the device.

The illegal disposal of the product by the user implies the administrative sanctions provided for by the regulations in force.

INFORMATION

6.1 Service



CAUTION ! Only qualified and authorised personnel can repair the device (see paragraph 5.5 on the service centres). This guarantees that the device is used in conditions of safety, without running the risk of voiding the warranty and that only original spare parts are used.

6.2 Warranty



6.2.1 The device has a warranty of 3 years from the date of purchase for all its mechanical parts. For the electronic parts SR Mecatronic warrants that the device has been manufactured and tested carefully and is therefore free from defects before its delivery.

6.2.2 Keep the receipt or invoice, which must be shown as a purchase proof for any service operations under warranty (otherwise the warranty is void).

6.2.3 SR Mecatronic will repair any defects found on this device free of charge in a reasonable time after receiving the device. The necessary costs for this purpose, especially the work and material costs, will be totally charged to us, while the costs and risks concerning the transport of the device to the authorised centre will be charged to you.

6.2.4 The operations under warranty do not imply an extension or renewal of the warranty period of the device. The replaced parts become automatically our property.

6.2.5 For any warranty operations we kindly ask you to deliver your device to our authorised service centre. Make sure that the packaging is in perfect conditions for a safe transport (original packaging). A brief description of the failure must be included and inserted in the pack, together with your full address. Moreover, as a proof of warranty right, do not forget to put your original document of purchase (receipt or invoice) in the pack.

6.2.6 WAIVERS

The warranty does not cover those defects that:

- occur following improper, negligent or careless use or storage of the device;
- are caused by wrong installation, maintenance or repair performed by non authorised - personnel or by damage caused by transport;
- are not referable to manufacturing defects;
- are caused by the use of non original spare parts and accessories;
- have been caused by lightning, wrong supply voltage or other force majeure events, not ascribable to the Manufacturer.

6.3 Manufacturer's declaration of conformity

CE DECLARATION
OF CONFORMITY

SR Mechatronic srl
Aldo Moro 1-3 - 40046 Porretta Terme (BO) Italy

Declare, under their own responsibility, that the following product:
AUTOMATIC SATELLITE DISH, Type ASR

Complies with the following standards :

Electro-magnetic compatibility	: 55022, EN 55024
Machine safety	: 12100-1,EN12100-2,EN294,EN349
IP level	: EN60529
529 vibration	: 965/56 EEC

Porretta Terme, 12-10-2009

The owner

Marco Santoli

GB

6.4 Troubleshooting

PROBLEMS	CAUSES	SOLUTIONS
The satellite dish cannot be opened	<ul style="list-style-type: none"> -No power supply to the satellite dish -An obstacle is on the satellite dish -The vehicle is moving or engine is on -Loose or broken connection 	<ul style="list-style-type: none"> -Check the power supply & fuse -Switch the control panel on - Remove the obstacle - Stop the vehicle and turn off - Check the connections
Error: satellite not found	<ul style="list-style-type: none"> - Obstacles in front of the satellite dish (trees, metal walls, buildings, etc.) prevent the reception of the signal. - The connection from the box to the LNB is loose - You are outside or at the extreme limits of the satellite footprint 	<ul style="list-style-type: none"> - Move the vehicle away from anything that prevents satellite reception and make sure that the South is free from obstacles - tighten the connectors and try again - Make sure that you have followed the instructions in paragraph 4.7; otherwise wait until you arrive in a more central area
Error: rotation maximum stress	<ul style="list-style-type: none"> - there are obstacles in the area of action of the satellite dish (trees, ice or snow) 	<ul style="list-style-type: none"> - remove the obstacles that prevent rotation
Error: elevation maximum stress	<ul style="list-style-type: none"> - there are obstacles in the area of action of the satellite dish (trees, ice or snow) 	<ul style="list-style-type: none"> - Remove the obstacles which are causing the obstruction .
Rotation error	<ul style="list-style-type: none"> - the rotation motor does not work 	<ul style="list-style-type: none"> - check the connections of the grey cable to the box from the satellite dish to the external unit position
Elevation error	<ul style="list-style-type: none"> - the elevation motor does not work 	<ul style="list-style-type: none"> - check the connections of the grey cable to the box from the satellite dish to the external unit position
Error: insufficient power supply	<ul style="list-style-type: none"> - the battery is too low and cannot ensure the correct operation of the system 	<ul style="list-style-type: none"> - charge the battery
Error: unstable power supply	<ul style="list-style-type: none"> - faulty battery or presence of non stabilised power supply 	<ul style="list-style-type: none"> Turn off any current generators or have the battery checked
The satellite dish loses the signal	<ul style="list-style-type: none"> - slow connections - strong storm or wind 	<ul style="list-style-type: none"> - check and tighten the F connections of the box, satellite dish and decoder - wait until the storm or wind cease
RF cable error	<ul style="list-style-type: none"> broken or disconnected satellite cable 	<ul style="list-style-type: none"> - check the connection - check the supply voltage - check the LNB

6.4.1 PROBLEMS AND SOLUTIONS CONTROL PANEL 1 P

Unlike the LED and DISPLAY versions this type of control panel manages errors through light impulses and acoustic warning signal sequences. When a functional error occurs the red led turns on in a fixed mode. To find out what kind of error has occurred you only have to press the ON/OFF button. A series of flashing and acoustic signals will indicate what kind of error is underway. Please see the below table.

SIGNAL DESCRIPTIONS	PROBLEMS
1 flash with 1 beep	- vertical rotation error
2 Flashes with 2 beeps	- horizontal rotation error
3 Flashes with 3 beeps	- maximum effort error
4 Flashes with 4 beeps	- satellite not found error
5 Flashes with 5 beeps	- battery
6 Flashes with 6 beeps	- check RF cable
7 Flashes with 7 beeps	- violation error range vertical
8 Flashes with 8 beeps	- violation error range horizontal
9 Flashes with 9 beeps	- key camper ON
10 Flashes with 10 beeps	- power unstable error
11 Flashes with 11 beeps	- invalid gps position
12 Flashes with 12 beeps	- skew error blocked



WARNING! To clear your antenna from any errors, push the ON/OFF button for 5 seconds until the green LED begins to flash.

If the error is correctable the antenna will begin to function normally; if not then you must contact your nearest service center.

6.5 BlueTooth app association

CONNECTION BY THE BOX

- Turn on the Bluetooth device and open the ASR application;
- Press and hold the "Association" button until a pop-up message opens;
- Check that the BOX is off and the antenna is closed;
- Press the ON button on the Box until you hear an acoustic signal;
- Press "Continue" on your device;
- When a new pop-up message appears, press "Continue";
- You will hear a confirmation beep for "complete association procedure", press "OK";
- Remove the power cable to the BOX for a few seconds and replace it;
- Turn on the BOX with the ON button;
- Click "Connect" from the application and wait a few seconds;
- When the upload is complete, the menu will open to select the preferred satellite.

CONNECTION BY THE BOX AND 7SAT DISPLAY

- Turn on the smartphone's Bluetooth and open the ASR app;
- Press and hold the "Association" button until a pop-up message opens;
- Switch the antenna on from the ON / OFF button of the display and wait for the complete opening;
- Close the antenna with the dish closing button;
- Check that the green LED (upper left) is lit and fixed;
- Keep the "close antenna" button pressed, wait until all the red lights come on in sequence and the box emits an acoustic signal;
- When a new pop-up message appears, press "Continue";
- Another pop-up message will appear, press "Continue" and then "OK";
- Press the ON / OFF button to turn off the antenna and switch it on again;
- Click "Connect" from the application and wait a few seconds;
- When the upload is complete, the menu will open to select the chosed satellite.

CONNECTION BY THE BOX AND 15SAT DISPLAY

- Turn on the smartphone's Bluetooth and open the ASR app;
- Press and hold the "Association" button until the pop-up message opens;
- Switch the antenna on from the ON / OFF button of the display and wait for the complete opening;
- Close the antenna with the dish closing button;
- Check that the green LED (upper left) is lit and fixed;
- Keep the "close antenna" button pressed, wait for the display pixels to light up in sequence and for the box to emit an acoustic signal;
- When a new pop-up message appears, press "Continue";
- Another pop-up message will appear, press "Continue" and then "OK";
- Press ON / OFF button to turn off the antenna and switch it on again;
- Click "Connect" from the application and wait a few seconds;-When the upload is complete, the menu will open to select the chosed satellite.

WARRANTY CERTIFICATE :

Fill in and send to SR Meccatronica srl
Via Aldo Moro 1-3 - 40046 Porretta Terme BO Italy

NAME	SURNAME	ADDRESS	TOWN'
ZIP CODE	PROVINCE	TELEPHONE	E-MAIL
Date of purchase	Retailer's stamp	



INDEX



1 EINFÜHRUNG

1.1 Verwendeten Symbole	Seite 3
1.2 Korrekte Benutzung	Seite 3
1.3 Beschreibung.....	Seite 4
1.4 Lieferumfang.....	Seite 5
1.5 Technische Daten	Seite 6

2 INSTALLATION

2.1 Montageanleitung der externen Einheit	Seite 7
2.2 Montageanleitung für das Gehäuse für den Kabeldurchgang.....	Seite 8
2.3 Montageanleitung für das Steuergehäuse	Seite 9
2.4 Montageanleitung für die interne Steuereinheit für Led- und Plus-Ausführung.....	Seite 9
2.5 Elektrische Anschlüsse	Seite 10

3 ALLGEMEINE SICHERHEITSVORSCHRIFTEN

3.1 Arbeitsbereich	Seite 12
3.2 Sicherheit und Stromversorgung	Seite 12
3.3 Personensicherheit	Seite 12
3.4 Sicherheit während der Montagetätigkeiten	Seite 13
3.5 Bestimmungen bezüglich der Inverkehrbringung	Seite 13

4 VERWENDUNG

4.1 Verwendungszweck	Seite 13
4.2 Beschreibung des Bedienpanels für 1P-Ausführung.....	Seite 14
4.3 Einschalten	Seite 16
4.4 Suche und Auswahl des Satelliten	Seite 16
4.5 Parken der Antenne.....	Seite 17
4.6 Ausschalten	Seite 17
4.7 Sprachprogrammierung auf dem Display	Seite 18
4.8 Besondere Hinweise.....	Seite 18

5 ENTSORGUNG

Seite 19

6 INFORMATIONEN

6.1 Kundendienst	Seite 19
6.2 Garantie	Seite 20
6.3 Konformitätserklärung des Herstellers.....	Seite 21
6.4 Problemlösung	Seite 22
6.5 Anleitung zur Verbindung der app mit der ASR sat anlage.....	Seite 24









Wir beglückwünschen sie zum Kauf unserer Antenne Travelsat mit automatischer Ausrichtung, die technisch und qualitativ zu den Spitzenprodukten im Bereich des Fernsehempfangs über Satelliten zählt.

Vor der Installation und Inbetriebnahme sollten sie sich sorgfältig mit den Gerätefunktionen vertraut machen und über die korrekte Benutzung der Parabolantenne informieren. Lesen sie deshalb diese Bedienungsanleitung aufmerksam durch und bewahren sie sie in Gerätenähe auf.

Sollte das Gerät an Dritte weitergegeben werden, sind auch alle diesbezüglichen Unterlagen weiterzugeben.

1.1 Beschreibung der verwendeten Symbole

	Die Bedienungsanleitung lesen		Wichtiger Hinweis
	Die Sicherheitsanweisungen einhalten		Umweltverträglich entsorgen
	Ausschließlich autorisiertes Fachpersonal darf diese Eingriffe ausführen		Siehe die den angegebenen Buchstaben betreffende Abbildung

1.2 Korrekte Benutzung



Für eine korrekte Benutzung Ihrer automatischen Satellitenantenne Travelsat müssen folgende Punkte sichergestellt werden:

1.2.1 Vor dem Öffnen dürfen sich keine Bäume, Metall- oder Glaswände, bzw. Gebäude oder andere Dinge im Antennenumfeld befinden, die den Empfang des Satellitensignals verhindern könnten. (siehe Abbildung 1A und 1B)



1.2.2. Vor dem Öffnen der Antenne muss sichergestellt werden, dass sich in ihrem Umfeld keine Hindernisse befinden, die die Öffnungs- und Drehbewegung behindern könnten.

(Zweige, Balkons, Dächer)

1.2.3 Die Antenne wurde entwickelt und geprüft, um einer Windgeschwindigkeit von bis zu 120 km/h standzuhalten.

Dennoch empfehlen wir, die Antenne bei starkem Windaufkommen zu schließen, da ihre große Fläche das Dach Ihres Wohnmobils starken Belastungen aussetzen würde.

1.2.4 Zur Vermeidung von Beschädigungen und eines unnötigen Batterieverbrauchs muss die Antenne bei Schnee und Eis vor der Betätigung der Öffnungssteuerung gesäubert werden.

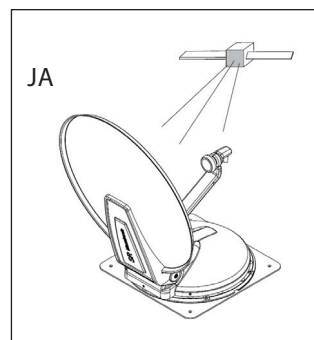
1.2.5 Die Batterieladung muss immer ausreichend sein, da der elektronische Sicherheitschaltung bei einer unter 10 Volt abfallenden Versorgungsspannung das Anheben der Antenne unterbindet.

1.2.6 Die Antenne darf ausschließlich bei Außentemperaturen zwischen -15 °C und +45 °C verwendet werden. Die Benutzung der Anlage bei außerhalb dieser Angaben liegenden Temperaturwerten kann Beschädigungen oder Funktionsstörungen zur Folge haben.

1.2.7 Nach der Benutzung der Parabolantenne und vor dem Losfahren mit dem Wohnmobil prüfen, dass die Antenne geschlossen ist. Auf keinen Fall darf losgefahren werden, bevor sich der auf das Schließen der Parabolantenne hinweisende Summer abgeschaltet hat.



1A



1B

1.3 Beschreibung

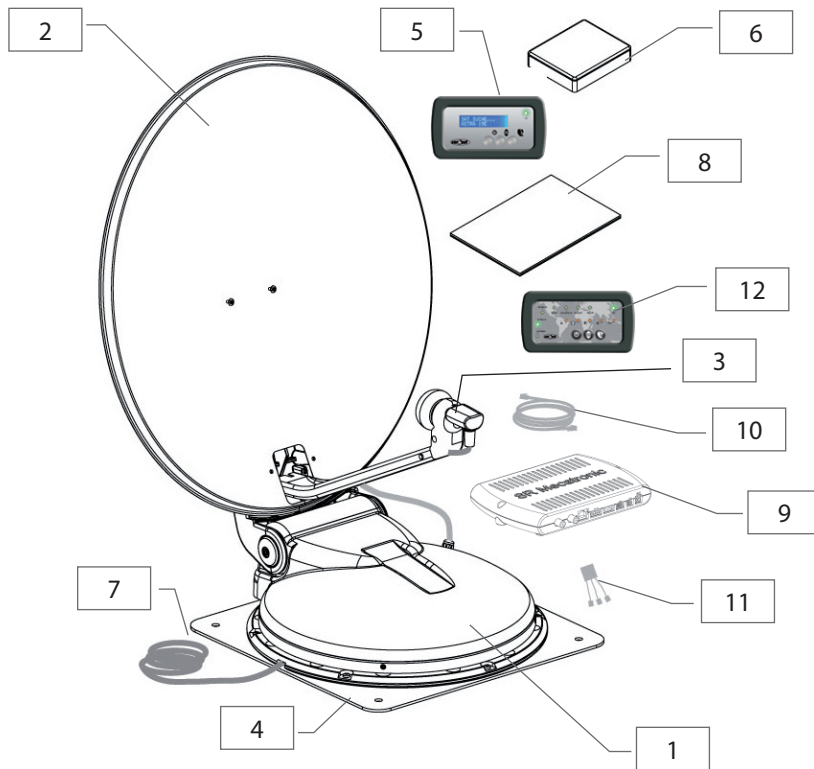
Ihre Travelsat-Antenne basiert auf einem System mit vollautomatischer Ausrichtung.

Dieses System vermag Satelliten anzupeilen, die gemäß des Standards DVB-SI EN 300 468 ein moduliertes Signal auf QPSK abgeben und somit in der Lage sind:

- den von Ihnen gewählten Satelliten zu suchen
- die Antenne einzufahren.

1.4 Lieferumfang

- 1 Externe Antriebseinheit
- 2 Offset-Parabol-Antenne mit 60–80 cm Durchmesser
- 3 Universal-LNB
- 4 Montageplatte
- 5 Bedienpanel für Benutzer in Display-Ausführung (nur für die Modelle plus)
- 6 Wasserdichtes Gehäuse für den Kabeldurchgang nach innen
- 7 Verkabelung
- 8 Montage- und Bedienungsanleitung
- 9 Steuergehäuse für die externe Einheit
- 10 Rj45 Anschlusskabel an das Bedienpaneel – Steuergehäuse
- 11 Versorgungsstecker für das Steuergehäuse
- 12 Bedienpanel für Benutzer in LED-Ausführung (für die Basisausführung)



1.5 Technische daten

- Parabol-Antenne
• Vollautomatisches Suchsystem
• In der 1P-Ausführung einstellbare Satelliten
• In der LED-Ausführung einstellbare 7 Satelliten
• In der Display-Ausführung einstellbare 19 Satelliten
- offset
mit NID-Erfassung gemäß
der Spezifikationen DVB-SI EN 300 468
In dieser Ausführung ist nur der werkseingestellte Satellit verfügbar. (z.B. Hot bird 13E in Italien, Astra 19 in Frankreich und Deutschland, usw.)
(Hot bird 13E , Astra 19 , Thor , Sirius
Atl. Bird , Hispasat , Astra 28)
19 (Astra28E, Astra 19E, HotBird 13E, Eutelsat 16E, Sirius 5E, Thor 1W, AtlanticBird 5W, Hispasat 30W, Eutelsat 9E, Eutelsat 7E, Eutelsat 10E, Amos 4W, AtlanticBird 8W, IS-907 27.5W, Astra 23.5E, Hellas 39E, Turksat 42E, Sirius 5EN, Astra 19ES)
- Stromversorgung
• Stromaufnahme
• Stromaufnahme im Stand-by-Betrieb
• Gewicht
• Schutzsicherung
• Abmessungen im geschlossenen Zustand mm
- 12 V DC -20 + 30 %
Max. 4 Ampere
5 mA
≤ 12 kg
Breite 618 mm
Länge 766 mm
Höhe 190

INSTALLATION

2



Lassen Sie die Montage ausschließlich von Fachkräften ausführen. Eine fehlerhaft ausgeführte Montage kann Schäden am Fahrzeug und am Gerät hervorrufen.



Vor der Installation den Verpackungskarton öffnen und die Unversehrtheit der Parabolantenne sowie das Vorhandensein aller laut Bedienungsanleitung enthaltenen Zubehörteile sicherstellen. (Nach erfolgter Montage akzeptiert der Hersteller keine transportbedingten oder auf fehlende Materialien zurückgehenden Reklamationen)

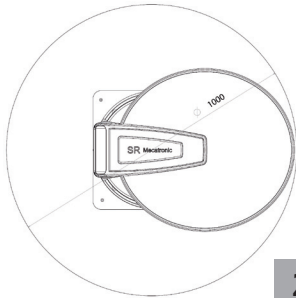
2.1 Montageanleitung der externen Einheit



ACHTUNG! Vor der Montage die Sicherheitsvorschriften bezüglich der Installation sorgfältig durchlesen. Eventuelle Fehler bei der Einhaltung der Anleitungen können Personen- oder Sachschäden auch schwerwiegender Natur hervorrufen.



2.1.1 Auf dem Fahrzeugdach eine ausreichend große freie Fläche (möglichst auf der Dachseite) für die Antennenpositionierung ausmachen (siehe Abbildung 2)



2.1.2 Die Dachfläche des für die Installation der externen Einheit ausgewählten Bereichs sorgfältig reinigen (sämtliche Fett- und Staubspuren entfernen). Die Unterseite der Befestigungsplatte ebenfalls sorgfältig reinigen um sämtliche Fett- und Staubspuren zu entfernen.

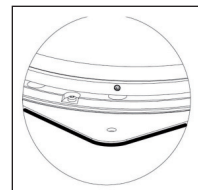
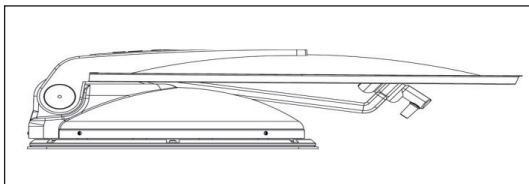
2.1.3 Bei **Umgebungstemperatur** mit einer Silikonpistole auf der Unterseite der Befestigungsplatte eine gleichmäßige Schicht PU-Strukturkleber (wir empfehlen die Verwendung des Klebers sikaflex 292 und die Einhaltung der Bestimmungen zu dessen Anwendung) auftragen.

2.1.4 Die externe Einheit jetzt im zuvor bestimmten und gereinigten Bereich auf dem Fahrzeugdach positionieren und kräftig andrücken, um einen guten Halt sowie eine gleichmäßige Verteilung des Klebers zu gewährleisten.

ACHTUNG!! Bei der Montage der externen Einheit ist die Fahrriichtung zu berücksichtigen (siehe Abbildung 3).

Zur abschließenden Befestigung der externen Einheit, rund um die Befestigungsplatte eine Schicht Kleber auftragen, um diese abzudichten (siehe Abbildung 4).

← FAHRRICHTUNG



HINWEIS: den Kleber bei Umgebungstemperatur und bei Trockenheit 24 Stunden trocknen lassen, bevor Sie mit dem Fahrzeug fahren.

2.2 Montageanleitung für das Gehäuse für den Kabeldurchgang

2.2.1 Für eine schnelle und einfache Antenneninstallation auf dem Dach des Wohnmobils den genauen Punkt ausmachen, an dem das Versorgungs- und Steuergehäuse installiert werden soll (siehe 2.3.1).

2.2.2 Mit einem Hohlfräser ein Durchgangsloch von 20 mm Durchmesser fräsen, durch das die Kabel in das Fahrzeuginnere geführt werden.

2.2.3 Die Fläche rund um das Loch sorgfältig reinigen und entfetten. Dann das Gehäuse für den Kabeldurchgang nehmen und ein Bohrloch für den Anschluss der Kabelführung M25, die das Sat-Kabel und das Anschlusskabel für die interne Einheit beinhaltet, an das Gehäuse bohren.

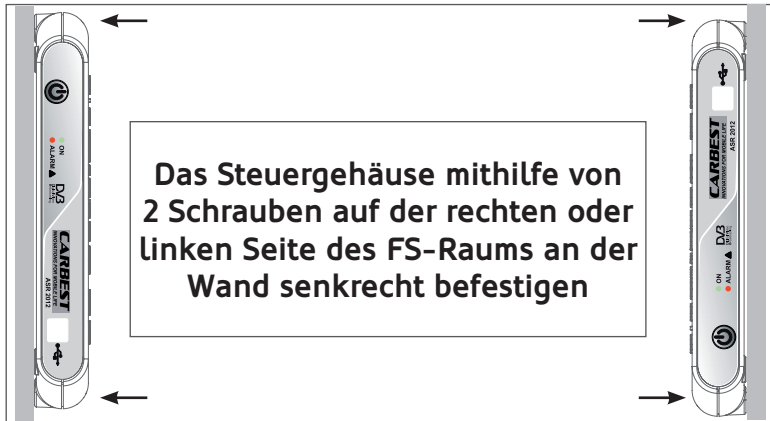
2.2.4 Die Kabel durch das zuvor auf dem Dachdurchgang gebohrte Bohrloch führen und gemäß den mitgelieferten Daten die Kabelführung auf dem Gehäuse festziehen.

2.2.5 Auf der Unterseite des Gehäuses eine großzügige Schicht des PU-Strukturklebers anbringen (der selbe Kleber, der für die Befestigung der externen Einheit verwendet wurde) und dann das Gehäuse in Übereinstimmung mit dem Bohrloch auf dem Fahrzeugdach positionieren. Hierbei einen zur gleichmäßigen Verteilung und Gewährleistung einer guten Haftung des Klebers ausreichenden Druck ausüben.

Die Kabel sorgfältig auf dem Dach anordnen (es wird empfohlen, diese zum Schutz vor UV-Strahlen in eine Führungsschiene einzusetzen) und die überschüssigen Kabel in das Innere des Wohnmobils zu führen. An dieser Stelle können Sie die zuvor auf dem Gehäuse angebrachten Kabelführungen anziehen.

2.2.6 Sollten Sie keine Führungsschiene benutzen und der Kabelweg von der Antriebseinheit bis zum Gehäuse für den Kabeldurchgang über 40 cm lang sein, müssen Sie das Kabel jedoch wenigstens am Fahrzeugdach befestigen. Sinn und Zweck dessen ist es, zu verhindern, dass die Kabel sich auf dem Fahrzeugdach bewegen. Die Außenmontage der Antenne ist an dieser Stelle abgeschlossen.

2.3 Montageanleitung für das Steuergehäuse



5

2.3.1 Im Wohnmobil einen leicht für den Benutzer zugänglichen Bereich ausmachen, der möglichst innerhalb des Standorts des Fernsehers oder in einem Hängeschrank liegen sollte.

2.3.2 Zur Gewährleistung eines schnellen und mühelosen Zugangs im Falle von Kundendiensttätigkeiten, das Steuergehäuse zugänglichen positionieren und befestigen (siehe Abbildung 5).



ACHTUNG! Zur Vermeidung unnötiger Komponentenbelastungen muss für ausreichend Lüftung des Geräteumfelds gesorgt sein.

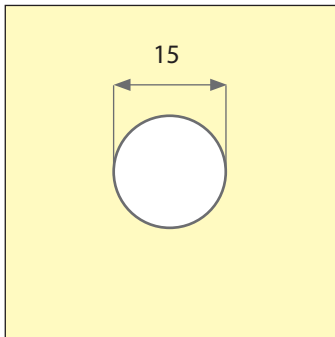
2.4 Montageanleitung für die interne Steuereinheit für Led- und Plus-Ausführung

2.4.1 Im Inneren des Wohnmobils einen leicht zugänglichen und sichtbaren Bereich in maximal 2 Meter Entfernung (ansonsten ist das Verbindungskabel von Gehäuse und Bedieneinheit zu kurz) vom Steuergehäuse ausmachen.

2.4.2 Mit einem Hohlfräser an der für die Montage vorgesehenen Stelle ein Durchgangsloch von 15 mm Durchmesser fräsen (siehe Zeichnung 6).

2.4.3 Das im Lieferumfang der Antenne enthaltene Anschlusskabel RJ45 patch cat6 in das gefräste Loch einführen und den Anschluss zwischen dem Gehäuse und der internen Steuereinheit vornehmen (siehe Zeichnung. 7/7.1).

2.4.4 Mithilfe der 4 im Lieferumfang enthaltenen Schrauben die interne Steuereinheit befestigen (siehe Zeichnung. 6).



6



2.5 Elektrische Anschlüsse

2.5.1 Das von der externen Einheit zugeführte graue Kabel an die entsprechenden Anschlüsse auf dem mit externer Einheit bezeichneten Steuergehäuse anschließen (siehe Zeichnung. 7)

2.5.2 Das von der LNB der Parabolantenne zugeführte Koaxialkabel an den Verbinder F des mit LNB bezeichneten Gehäuses anschließen.

HINWEIS Bei Parabolantennen mit doppeltem Ausgang wird das zweite, von der Antenne abgehende Koaxialkabel direkt an den zweiten Decoder angeschlossen (siehe Zeichnung. 7.1)

2.5.3 Den im Lieferumfang der Antenne enthaltenen Netzstecker in den 12-V-Stecker auf dem Gehäuse stecken.

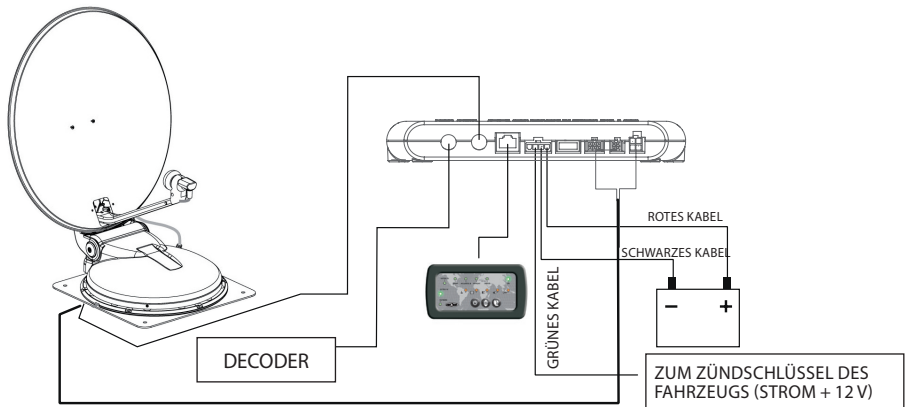
2.5.4 Das schwarze Kabel des Netzsteckers an den Minuspol der Batterie und das rote Kabel an den Pluspol der Batterie anschließen.

2.5.5 Schließen Sie das grüne Kabel des Netzanschlusses, die Zustimmung der Konsole Start-up des „Fahrzeug, damit die“Senkung der Schale automatisch Absenkung der Parabolantenne mit halb offenen wiederum versuchen.

Dieser Anschluss verhindert die Funktion der Parabolantenne bei gestartetem Fahrzeug oder bei in Richtung Zündung gedrehtem Zündschlüssel.

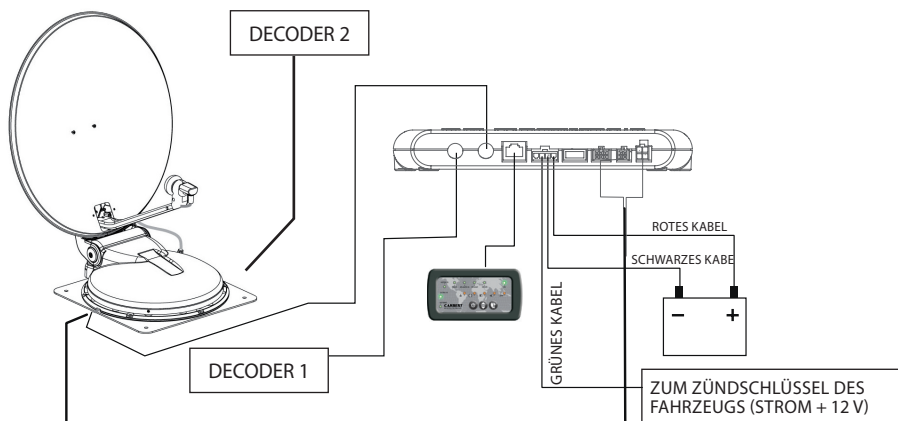
7

KABELPLAN DER AUSFÜHRUNG MIT EINEM AUSGANG
HINWEIS: DER DECODER UND DAS ZUGEHÖRIGE KABEL SIND NICHT INBEGRIFFEN



7.1

KABELPLAN DER AUSFÜHRUNG MIT ZWEI AUSGÄNGEN
HINWEIS: DER DECODER UND DAS ZUGEHÖRIGE KABEL SIND NICHT INBEGRIFFEN





ACHTUNG! Alle Anleitungen lesen.

Eventuelle Fehler bei der Beachtung folgender Anleitung können folgende Auswirkungen haben: Personen- oder Sachschäden, auch schwerwiegender Natur.

DIESE ANLEITUNGEN SORGFÄLTIG AUFBEWAHREN

3.1 Arbeitsbereich



Vor der Bewilligung der Öffnungssteuerung der Parabolantenne sicherstellen, dass sich keine Hindernisse im Arbeitsbereich der Antenne befinden (Zweige, hervorstehende Balkons, usw.): **GEFAHR DER BESCHÄDIGUNG DER PARABOLANTENNE UND DES WOHNMOBILS.**

3.2 Sicherheit und Stromversorgung

Das Gerät ausschließlich mit von der Servicebatterie stammender 12-Volt-Spannung versorgen, die über Kabel mit einem Schnitt von mindestens 2,5 mm zugeführt wird.

Sollten anstelle der Batterie 12-Volt-Netzteile verwendet werden, muss sichergestellt werden, dass diese stabilisiert und in der Lage sind, kontinuierlich 3 Ampere und über kurze Zeiträume 10 Ampere zu liefern.

Von der Verwendung qualitativ minderwertiger und nicht stabilisierter Batterieladegeräte ist in jedem Fall abzuraten.

3.3 Personensicherheit



Das Gerät ausschließlich mit von der Servicebatterie stammender 12-Volt-Spannung versorgen, die über Kabel mit einem Schnitt von mindestens 2,5 mm zugeführt wird.

Sollten anstelle der Batterie 12-Volt-Netzteile verwendet werden, muss sichergestellt werden, dass diese stabilisiert und in der Lage sind, kontinuierlich 3 Ampere und über kurze Zeiträume 10 Ampere zu liefern.

Von der Verwendung qualitativ minderwertiger und nicht stabilisierter Batterieladegeräte ist in jedem Fall abzuraten.

3.4 Sicherheit während der Montagetätigkeiten



Für Montagetätigkeiten, die eine Sturzgefahr bergen, müssen angemessene Maßnahmen getroffen werden. Hierzu zählt beispielsweise die Verwendung einer Arbeitsbrücke während auf dem Dach des Wohnmobils auszuführender Tätigkeiten.

Außerdem muss sichergestellt werden, dass die Tragkraft des Fahrzeugdachs zur Ausführung der Montagetätigkeiten geeignet ist.

Während der Montage müssen folgende Voraussetzungen erfüllt sein:

- Das Gerät darf nicht an das Stromnetz angeschlossen sein
- Die mit der Montage beauftragte Person darf nicht unter Schwindel leiden
- Die beauftragte Person muss rutschfeste Sicherheitsschuhe tragen
- Während der Montage darf sich niemand unterhalb der Antenne aufhalten
- Die Steigmittel müssen rutschfest und trocken sein
- Die Brücke oder Treppe muss ausreichend stabil und robust sein.

3.5 Bestimmungen bezüglich der Inverkehrbringung

Bei einer Antennenhöhe von über 2 Metern und nicht über das Fahrzeug hinausragender Antenne ist keine Eintragung im Fahrzeugschein erforderlich.

In der Höhe darf die Antenne die 4-Meter-Grenze jedoch nicht überschreiten (Parabolan-tenne plus Fahrzeug)

VERWENDUNG

4

4.1 Verwendungszweck

Die Satellitenantenne wurde zum Empfang von digitalen Fernseh- und Radiosignalen über Satellit von geparkten Fahrzeugen entwickelt.

Die Empfangseinheit gewährleistet den Empfang von Fernseh- und Radiosignalen über Satellit im Frequenzbereich von 10,7 GHz bis 12,75 GHz.

Jede hiervon abweichende Benutzung führt zum Verlust des Garantieanspruchs.

Achtung: In folgenden Fällen wird keine Haftung übernommen:



- fehlerhafte oder mit dem vorgesehenen Verwendungszweck nicht konforme Verwendung
- nicht von autorisierten Kundendienstzentren ausgeführte Reparaturen
- Entfernung von Gerätekompontenten
- Verwendung von Nicht-Original-Ersatzteilen und -Zubehör
- Nichtbeachtung der in dieser Anleitung enthaltenen Vorgaben

IN DIESEN FÄLLEN VERFÄLLT DER GARANTIEANSPRUCH

4.2 Beschreibung des Bedienpanels für 1P-Ausführung

Einschaltung

Zum Einschalten der Antenne die Schaltfläche on/off (3) auf dem Bedienpanel drücken. Beim Drücken der Schaltfläche schalten sich die grünen und roten LED-Anzeigen zur Überprüfung der ordnungsgemäßen LED-Betriebsfähigkeit gleichzeitig ein.

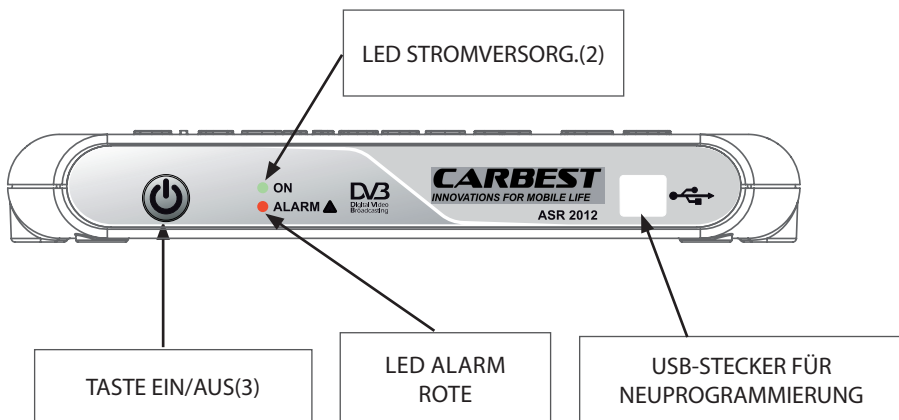
Nach einigen Sekunden schaltet sich die rote LED aus und die grüne LED beginnt zu blinken, bis die Antenne den Satelliten empfängt. Dann blinkt die LED bei Feststellung des Signals sehr schnell und sobald die Antenne den Satelliten empfängt, leuchtet die LED dauerhaft grün auf.

Parken / Ausschaltung der Antenne

Zum Parken und Ausschalten der Antenne die Schaltfläche on/off (3) für einige Sekunden drücken, bis die grüne LED zu blinken beginnt.

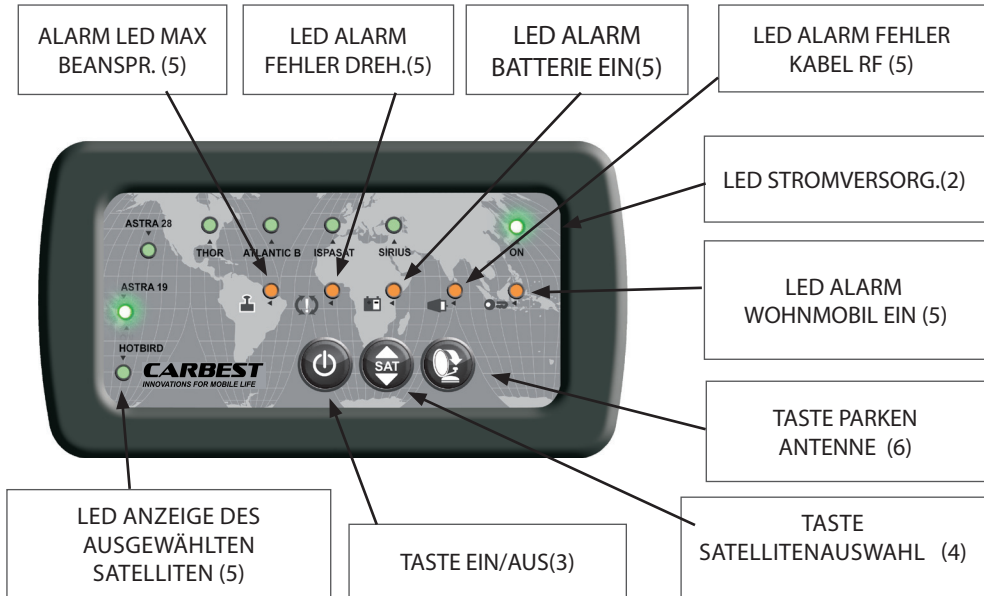
Diese Funktion muss immer vor dem Start aktiviert werden und ermöglicht, die Antenne zur Ruhe- und Reisestellung wieder zu bringen.

Durch Drücken der Schaltfläche für diese Funktion beginnt die grüne LED zu blinken, bis sich die Antenne schließt. Die LED wird sich nach erfolgter Schließung ausschalten.

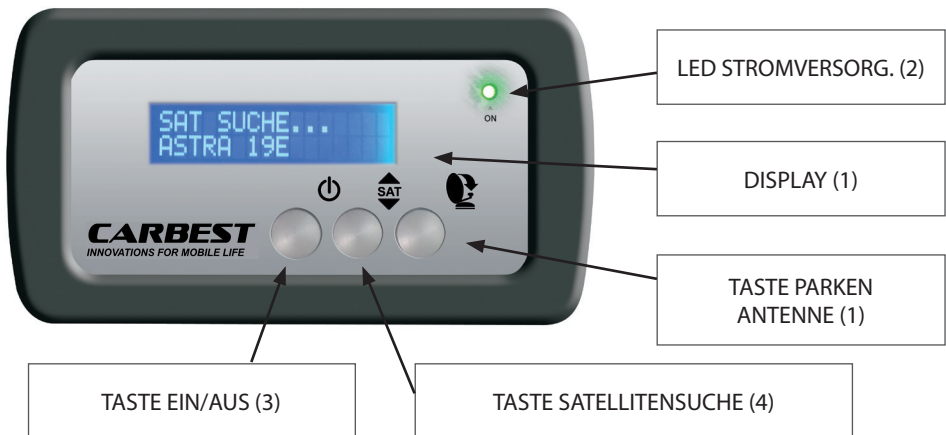


Bitte beachten Sie, dass für alle Warnsignale müssen Sie Absatz 6.4.1 zu lesen

4.2.1 Beschreibung des LED-Bedienpanels



4.2.2 Beschreibung des DISPLAY-Bedienpanels





4.3 Einschalten

Zum Einschalten der Antenne die Schaltfläche on/off (3) auf dem Bedienpanel drücken. Beim Drücken der Schaltfläche schalten sich bei der LED-Ausführung folgende Vorrichtungen gleichzeitig ein:

Das grüne Versorgungs-LED (2), das den Versorgungsstatus anzeigt
Das grüne LED (5) des jeweils gewählten Satelliten, das blinkt, bis die Antenne den Satelliten empfängt. Sobald die Antenne den Satelliten empfängt, leuchtet das LED dauerhaft grün auf.

Beim Drücken der Schaltfläche schalten sich bei der DISPLAY-Ausführung folgende Vorrichtungen gleichzeitig ein:

Das grüne Versorgungs-LED (2), das den Versorgungsstatus anzeigt
Das Display zeigt den Namen des gewählten Satelliten, den die Antenne dann automatisch suchen wird.

HINWEIS: Sollte sich die Antenne beim Einschalten nicht in der Parkposition befinden, schließt das System die Antenne anstelle den Satelliten zu suchen.

4.4 Suche und Auswahl des Satelliten

Wie bereits in Absatz 4.3 ausgeführt, beginnt das System direkt nach dem Einschalten der Antenne die Suche nach dem zuvor ausgewählten Satelliten.

Sollten Sie anstelle des angezeigten Satelliten einen anderen Satelliten wünschen, können Sie durch Drücken der Schaltfläche (4) auf dem Bedienpanel:

bei der Display-Ausführung auf dem Display die Liste der gespeicherten Satelliten durchlaufen, bis Sie den von Ihnen gewünschten Satelliten finden.

b) bei der LED-Ausführung die unterschiedlichen LEDs durchlaufen, bis sich die Leuchte des von Ihnen gewünschten Satelliten einschaltet

Das Automatiksystem veranlasst die Suche nach dem neu gewählten Satelliten und speichert seine Position ab, was die nachfolgende Suche erleichtert und beschleunigt.

Falls es der Antenne nach der Ausführung eines vollständigen Scannings nicht gelungen sein sollte, einen Satelliten zu finden, wird sie vom System geparkt.

4.5 Parken der Antenne

Zum Parken der Antenne die Schaltfläche (6) drücken.

Diese Funktion muss vor dem Ausschalten ausgeführt werden und ermöglicht es, Ihre Antenne erneut in die Ruhe- und somit Reiseposition zu stellen.

Durch das Drücken der entsprechenden Schaltfläche beginnt das grüne LED über den gesamten zum Schließen der Antenne erforderlichen Zeitraum zu blinken und schaltet sich nach Beendigung dieses Vorgangs ab.

Bei der Display-Ausführung erscheint während des Schließvorgangs die Meldung (Schließung erfolgt).

4.6 Ausschalten

Zum Ausschalten Ihrer Antenne die Schaltfläche Ein-/Ausschalten (3) 5 Sekunden lang drücken.



ACHTUNG!!! Wird die Antenne ausgeschaltet und nicht in die Parkposition gestellt, verweilt sie in ihrer vor dem Ausschalten aktuellen Position.

Die Antenne wird in diesem Fall erst durch das Drehen des Zündschlüssels des Fahrzeugs in die Ruheposition gestellt, was allerdings voraussetzt, dass das grüne Kabel des Gehäuses korrekt an die +12 V Spannung angeschlossen ist, die beim Drehen des Zündschlüssels erzeugt wird.

4.7 Sprachprogrammierung auf dem Display

4.7.1 Insgesamt lassen sich 6 Sprachen auf dem Display einstellen: italienisch, spanisch, französisch, englisch, deutsch, holländisch.

4.7.2. Um Zugang zum Menü der Sprachprogrammierung zu erhalten sind folgende Schritte erforderlich:

die Antenne über die Schaltfläche ON (3) einschalten auf den Start warten und die Antenne durch das Drücken der Schaltfläche Parking (6) schließen.

Nach der Schließung 5 Sekunden warten, wonach zuerst die Schaltfläche Satellitenwechsel (4) und dann die Schaltfläche Parken (6) zu drücken ist. Dabei ist zu beachten, dass beide Schaltflächen gleichzeitig gedrückt werden müssen.

Wurden diese Tätigkeiten korrekt ausgeführt, erscheint auf dem Display die derzeit eingestellte Sprache gefolgt von drei Sternchen (z. B. ITALIENISCH ***).

Mehrmals die Schaltfläche Satellitenwechsel (4) drücken, um das Menü auf der Suche nach der gewünschten Sprache zu durchlaufen.

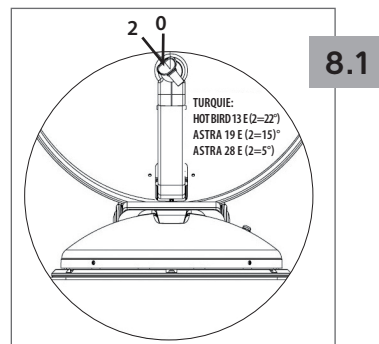
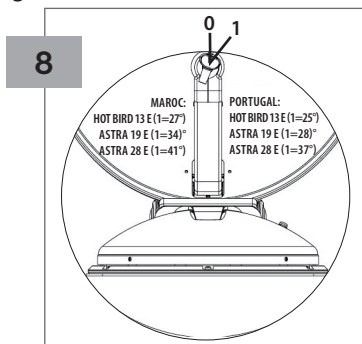
Zum Speichern der gewählten Sprache die Schaltfläche Parken (6) drücken. Sobald diese Schaltfläche gedrückt wurde, erscheinen 3 Pünktchen, die darauf hinweisen, dass das System den erteilten Befehl angenommen hat. Nach wenigen Sekunden erscheinen dann 3 Sternchen, die die neue Sprache bestätigen.

Zum Verlassen des Menüs die Schaltflächen Satellitenwechsel (4) und Parken (6) gleichzeitig drücken.

4.8 Besondere Hinweise

Werkseitig wird der Converter (LNB) entlang der Mittelachse der Scheibe positioniert. In dieser Konfiguration kann in den meisten europäischen Ländern eine korrekte Funktion gewährleistet werden. Sollten Sie sich jedoch bezüglich der Übertragungsleistung des Satelliten in Randgebieten aufhalten, ist möglicherweise eine Einstellung des Converter-Winkels erforderlich.

Dies gilt insbesondere, wenn Sie Sendungen von den Satelliten Astra 28E, Astra 18E oder Hot Bird 13E sehen möchten oder sich in Portugal, Marokko, bzw. in der Türkei aufhalten. In diesem Fall ist die Schraube, die den Converter blockiert leicht aufzuschrauben, um den Converter um die auf den Zeichnungen 8 und 8.1 angegebenen Grade und angezeigte Richtung zu drehen.



Gemäß Art. 13 der Gesetzesverordnung Nr. 151 vom 25. Juli 2005 „Ausführung der Richtlinien 2002/95/EG, 2002/96/EG, 2003/108/EG, bezüglich einer reduzierten Verwendung gefährlicher Stoffe in elektrischen und elektronischen Geräten sowie der Entsorgung des Mülls“.



Das Symbol der mit einem Kreuz versehenen Mülltonne weist darauf hin, dass das Produkt am Ende seiner Nutzungszeit vom übrigen Müll getrennt und nicht zusammen mit dem Hausmüll zu entsorgen ist.

Der Benutzer ist entsprechend verpflichtet, die Einrichtung am Ende ihrer Nutzungszeit in angemessenen Mülltrennungszentren für elektrotechnischen und elektronischen Müll zu entsorgen, die ihm von seiner Herkunftsgemeinde genannt werden.

Die zweckmäßige Mülltrennung für ein späteres Recycling, die Ausschachtung des Geräts und eine umweltgerechte Entsorgung trägt dazu bei, negative Auswirkungen auf die Umwelt und die Gesundheit zu vermeiden und begünstigt die Wiederverwendung und das Recycling der Gerätematerialien.

Eine widerrechtliche Entsorgung des Produkts durch den Benutzer hat die Anwendung von von den geltenden Vorschriften vorgesehenen Verwaltungsstrafen zur Folge.

INFORMATIONEN

6.1 Kundendienst



ACHTUNG! Das Gerät darf ausschließlich von hierzu befugtem Fachpersonal repariert werden (siehe Absatz 5.5 zu den Kundendienstzentren). Der Benutzer kann einzig auf dieser Grundlage davon ausgehen, dass der Gerätebetrieb auch zukünftig sicher ist, er keinen Verfall der Garantie riskiert und, dass ausschließlich Originalersatzteile verwendet werden

6.2 Garantie



6.2.1 Das Gerät wird ab dem Kaufdatum bezüglich der mechanischen Komponenten für **3 Jahre** und bezüglich der elektronischen Teile für 2 Jahre garantiert. Der Hersteller garantiert, dass das Gerät äußerst sorgfältig produziert und geprüft wurde und somit vor der Lieferung fehlerfrei ist.

6.2.2 Den Kassenbeleg oder die Rechnung aufbewahren, da diese im Fall von Garantieleistungen als Kaufbeleg vorgelegt werden müssen (sofern diese nicht verfallen ist).

6.2.3 Wir werden nach dem Erhalt des Geräts innerhalb eines vertretbaren Zeitraums für eine kostenlose Beseitigung der an diesem vorgefundenen Mängel sorgen. Die hierbei anfallenden Unkosten und insbesondere die Arbeits- und Materialkosten gehen vollständig zu unseren Lasten, während die durch den Transport des Geräts zum autorisierten Kundendienstzentrum anfallenden Kosten und Risiken zulasten des Besitzers gehen.

6.2.4 Die im Rahmen der Garantie ausgeführten Tätigkeiten bewirken keine Verlängerung oder Erneuerung der Garantiezeit des Geräts. Die ausgetauschten Teile gehen automatisch in unseren Besitz über.

6.2.5 Zur Durchführung einer eventuellen Garantieleistung bitten wir Sie, das Gerät zu Ihren Kosten einem autorisierten Kundendienstzentrum zu übergeben. Stellen Sie sicher, dass der Zustand der Verpackung einwandfrei und für einen sicheren Transport angemessen ist (Originalverpackung). Hinterlegen Sie im Paket Ihre vollständige Adresse sowie eine kurze Beschreibung der vorgefundenen Störung. Als Nachweis für Ihren Garantieanspruch bitten wir Sie außerdem den Originalkaufbeleg in das Paket zu legen (Kassenzettel oder Rechnung)

6.2.6 VON DER GARANTIE AUSGENOMMEN

Von der Garantie ausgenommen sind ausdrücklich Fehler, die:

- in Folge einer fehlerhaften Benutzung, Sorgfaltsverletzung oder Nachlässigkeit in der Benutzung und Aufbewahrung auftreten
- durch eine fehlerhafte Installation, Instandhaltung oder Reparatur seitens unbefugter Personen oder eine transportbedingte Beschädigung hervorgerufen wurden
- nicht auf Herstellerfehler zurückzuführen sind
- auf die Benutzung von Nichtoriginal-Zubehör oder Ersatzteile zurückzuführen sind
- durch Blitze, eine fehlerhafte Netzspannung entstanden sind sowie alle anderen möglichen Beschädigungen, die objektiv dem Hersteller nicht zuzuschreiben sind.

6.3 KONFORMITÄTSERKLÄRUNG DES HERSTELLERS

KONFORMITÄTSERKLÄRUNG "EG"

Wir, SR Mechatronic,
mit Sitz in Aldo Moro 1-3 -40046 Porretta Terme (BO) Italy

erklären hiermit eigenverantwortlich, dass das Produkt:
AUTOMATISCHE SATELLITENANTENNE ASR

folgenden Normen entspricht:

Elektromagnetische Kompatibilität	: 55022, EN 55024
Maschinensicherheit	: 12100-1, EN12100-2, EN294, EN349
IP-Schutzgrad	: EN60529
Vibration 529	: 965/56 EWG

Porretta Terme, Li 12-10-2009

der Inhaber

Marco Santoli

6.4 Problemlösung

PROBLEME	URSACHEN	ABHILFEN
Die Parabolantenne öffnet sich nicht	<ul style="list-style-type: none"> - Die Stromversorgung der Antenne fehlt - Ein Hindernis über der Antenne - Das Wohnmobil fährt - Ein Anschluss hat sich gelöst 	<ul style="list-style-type: none"> - Das Bedienpanel einschalten - Das Hindernis entfernen - Das Wohnmobil ausschalten - Die Anschlüsse überprüfen
Satellit nicht gefunden	<ul style="list-style-type: none"> - Vor der Parabolantenne befinden sich Hindernisse wie Bäume, Metallwände, Gebäude, die den Empfang des Signals verhindern. - Die vom Gehäuse zur LNB der Parabolantenne verlaufende Verbindung ist locker. - Sie befinden sich außerhalb oder am extremen Rand des Footprints des Satelliten. 	<ul style="list-style-type: none"> - Mit dem Wohnmobil die Zonen verlassen, die einen Satellitenempfang unterbinden und sicherstellen, dass südlich keine Hindernisse vorliegen. - Die Anschlüsse anziehen und erneut probieren. - Sollten Sie sich in Portugal, Marokko oder in der Türkei aufhalten, stellen Sie sicher, dass Sie die im Absatz 4.7 genannten Arbeitsschritte ausgeführt haben oder warten Sie, bis Sie sich wieder in zentraler gelegenen Ländern befinden.
Maximale Beanspruchung bei der Drehung	<ul style="list-style-type: none"> - Im Aktionsradius der Parabolantenne befinden sich Hindernisse (Äste, Eis oder Schnee). 	<ul style="list-style-type: none"> - Die die Drehung behindernden Hindernisse entfernen.
Maximale Beanspruchung beim Hub	<ul style="list-style-type: none"> - Im Aktionsradius der Parabolantenne befinden sich Hindernisse (Äste, Eis oder Schnee). 	<ul style="list-style-type: none"> - Die den Hub behindernden Hindernisse entfernen.
Drehung	<ul style="list-style-type: none"> - Der für die Drehung zuständige Motor läuft nicht. 	<ul style="list-style-type: none"> - Die Anschlüsse des grauen Kabels, das zum Steuergehäuse führt, von der Antenne bis zur externen Einheit prüfen.
Hub	<ul style="list-style-type: none"> - Der für den Hub zuständige Motor läuft nicht. 	<ul style="list-style-type: none"> - Die Anschlüsse des grauen Kabels, das zum Steuergehäuse führt, von der Antenne bis zur externen Einheit prüfen.
Unzureichende Stromversorgung	<ul style="list-style-type: none"> - Die Batterie ist zur Gewährleistung einer korrekten Funktion des Systems zu sehr entladen. 	<ul style="list-style-type: none"> - Die Batterie erneut aufladen.
Instabile Stromversorgung	<ul style="list-style-type: none"> - Fehlerhafte Batterie oder Vorliegen einer unstabilierten Stromversorgung. 	<ul style="list-style-type: none"> - Eventuell vorhandene Stromgeneratoren ausschalten oder die Batterie prüfen lassen.
Die Antenne verliert das Signal	<ul style="list-style-type: none"> - Anschlüsse locker - Starke Gewitter oder starkes Windaufkommen 	<ul style="list-style-type: none"> - Die F-Anschlüsse des Gehäuses, der Antenne und des Decoders prüfen. - Abwarten, bis die Witterungsverhältnisse sich beruhigt haben.
RF-Kabel	<ul style="list-style-type: none"> - Satellitenkabel unterbrochen oder nicht angeschlossen 	<ul style="list-style-type: none"> - Die Anschlüsse prüfen. - Die Versorgungsspannung prüfen - LNB überprüfen

6.4.1 FEHLERVERWALTUNG STEUERINHEIT 1 P

Zum Unterschied von den LED- und DISPLAY-Ausführungen verwaltet diese Steuereinheit die Alarmer durch nacheinander erzeugte Licht- und Tonimpulse.

Beim Auftreten eines Betriebsfehlers leuchtet die rote LED dauerhaft auf.

Zur Feststellung des aufgetretenen Fehlers die Schaltfläche ON/OFF drücken. Eine Reihe Blink- und Tonsignale zeigen die Fehlerarten an, die in der folgenden Tabelle beschrieben sind.

ALARMART	ALARMBESCHREIBUNG
1 Blinken mit 1 Beep-Signal	- vertikale Drehung Fehler
2 Blinken mit 2 Beep-Signalen	- horizontale Drehung Fehler
3 Blinken mit 3 Beep-Signalen	- maximale Fehler Effort
4 Blinken mit 4 Beep-Signalen	- Satelliten nicht gefunden Fehler
5 Blinken mit 5 Beep-Signalen	- Akku
6 Blinken mit 6 Beep-Signalen	- zu überprüfen HF-Kabel
7 Blinken mit 7 Beep-Signalen	- Verletzung Fehlerbereich vertikalen
8 Blinken mit 8 Beep-Signalen	- Verletzung Fehlerbereich horizontal
9 Blinken mit 9 Beep-Signalen	- Taste Wohnmobil ON
10 Blinken mit 10 Beep-Signalen	- Macht instabilen Fehler
11 Blinken mit 11 Beep-Signalen	- ungültige GPS-Position
12 Blinken mit 12 Beep-Signalen	- Fehler "skew" blockiert



ACHTUNG! Damit die Antenne die Fehlermodalität verlässt, muss die Taste ON/OFF für 5 Sekunden gedrückt werden, bis die grüne LED zu blinken beginnt. Wenn der Fehler reversibel ist, wird die Antenne den ordnungsgemäßen Betrieb wieder starten; andernfalls wenden Sie sich an das nächste Kundendienstzentrum.

6.5 ANLEITUNG ZUR VERBINDUNG DER APP MIT DER ASR-SAT-ANLAGE

Methode mit Steuerbox

- Bluetooth (BT) am Smartphone aktivieren und Applikation (App) ASR öffnen (vorher installiert);
- Taste „Verknüpfung“ gedrückt halten bis sich eine Popup-Nachricht öffnet;
- Sicherstellen, dass die Steuerbox ausgeschaltet und die Antenne geschlossen ist
- Taste „ON“ an der Steuerbox drücken bis ein akustisches Signal zu hören ist;
- „Weiter“ auf dem Smartphone drücken;
- Wenn sich eine weitere Popup-Nachricht öffnet „Weiter“ drücken;
- Ein Beep-Ton ertönt zur Bestätigung der Verknüpfungs-Prozedur, „OK“ drücken;
- Stromversorgung der Steuerbox für einige Sekunden unterbrechen und wieder herstellen;
- Steuerbox mit der Taste „ON“ einschalten;
- Taste „Verknüpfung“ in der App drücken und einige Sekunden warten;
- Nach Beendigung der Installation öffnet sich das Menü zur Satellitenauswahl

Methode mit Steuerbox und LED Bedienteil (7 Sat)

- BT am Smartphone aktivieren und App öffnen (vorher installiert);
- Taste „Verknüpfung“ gedrückt halten bis sich eine Popup-Nachricht öffnet;
- Antenne mit der Taste „ON/OFF“ am Bedienteil einschalten und vollständige Öffnung abwarten;
- Antenne wieder schließen;
- Sicherstellen, dass die grüne LED (oben rechts) dauerhaft leuchtet;
- Taste „Antenne schließen“ dauerhaft gedrückt halten und warten bis alle roten Lichter nacheinander aufgeleuchtet sind und die Box ein akustisches Signal gibt;
- Wenn sich eine Popup-Nachricht öffnet „Weiter“ drücken;
- Eine weitere Popup-Nachricht wird erscheinen, „Weiter“ und anschließend „OK“ drücken;
- Taste „ON/OFF“ drücken, um die Antenne auszuschalten und anschließend wieder einzuschalten;
- Taste „Verknüpfung“ in der App drücken und einige Sekunden warten;
- Nach Beendigung der Installation öffnet sich das Menü zur Satellitenauswahl

Methode mit Steuerbox und Display Bedienteil (15 Sat)

- BT am Smartphone aktivieren und App öffnen (vorher installiert);
- Taste „Verknüpfung“ gedrückt halten bis sich eine Popup-Nachricht öffnet;
- Antenne mit der Taste „ON/OFF“ am Bedienteil einschalten und vollständige Öffnung abwarten;
- Antenne wieder schließen;
- Sicherstellen, dass die grüne LED (oben rechts) dauerhaft leuchtet;
- Taste „Antenne schließen“ dauerhaft gedrückt halten und warten bis alle Pixel nacheinander aufgeleuchtet sind und die Box ein akustisches Signal gibt;
- Wenn sich eine Popup-Nachricht öffnet „Weiter“ drücken;
- Eine weitere Popup-Nachricht wird erscheinen, „Weiter“ und anschließend „OK“ drücken;
- Taste „ON/OFF“ drücken, um die Antenne auszuschalten und anschließend wieder einzuschalten;
- Taste „Verknüpfung“ in der App drücken und einige Sekunden warten;
- Nach Beendigung der Installation öffnet sich das Menü zur Satellitenauswahl

GARANTIEZERTIFIKAT :

Ausgefüllt an folgende Adresse schicken:

SR Mecatronic srl in Aldo Moro 1-3 - 40046 Porretta Terme BO

VORNAME	NACHNAME	STRASSE	STADT
PLZ	PROVINZ	TELEFON	E-MAIL
Kaufdatum	Stempel des Händlers	

INDICE



1 INTRODUZIONE

1.1 Simbologie utilizzate.....	Pagina 3
1.2 Utilizzo corretto.....	Pagina 3
1.3 Descrizione	Pagina 4
1.4 Particolari a corredo	Pagina 5
1.5 Specifiche tecniche.....	Pagina 6

2 INSTALLAZIONE

2.1 Istruzioni di montaggio dell' unità esterna	Pagina 7
2.2 Istruzioni di montaggio della scatola per passaggio cavi.....	Pagina 8
2.3 Istruzioni di montaggio del box di comando.....	Pagina 9
2.4 Istruzioni di montaggio dell' unità di comando per versione LED e PLUS	Pagina 9
2.5 Collegamenti elettrici	Pagina 10

3 NORME GENERALI DI SICUREZZA

3.1 Area di lavoro	Pagina 12
3.2 Sicurezza e alimentazione elettrica	Pagina 12
3.3 Sicurezza delle persone.....	Pagina 12
3.4 Sicurezza durante le operazioni di montaggio.....	Pagina 13
3.5 Normative relative alla messa in circolazione	Pagina 13

4 USO

4.1 Destinazione d' uso.....	Pagina 13
4.2 Descrizione del pannello comandi per versione 1P	Pagina 14
4.3 Accensione.....	Pagina 16
4.4 Ricerca e selezione del satellite	Pagina 16
4.5 Parcheggio dell' antenna	Pagina 17
4.6 Spegnimento	Pagina 17
4.7 Programmazione lingue display	Pagina 18
4.8 Note particolari	Pagina 18

5 SMALTIMENTO.....

Pagina 19

6 INFORMAZIONI

6.1 Service.....	Pagina 19
6.2 Garanzia.....	Pagina 20
6.3 Dichiarazione di conformità del produttore.....	Pagina 21
6.4 Risoluzione problemi	Pagina 22
6.5 Associazione app BlueTooth.....	Pagina 24



Congratulazioni per aver acquistato la nostra antenna del tipo Carbest a puntamento automatico, tecnologicamente e qualitativamente al top nel campo della ricezione televisiva satellitare.

Prima dell'installazione e della messa in funzione dovete studiare bene le funzioni dell'apparecchio e vi dovete Informare sull'uso corretto della parabola.

Leggete quindi bene il seguente manuale d'uso e conservatelo con cura a portata di mano dell'apparecchio. per avere sempre una facile consultazione.

In caso di cessione a terzi dell'apparecchio, dovete consegnare anche tutta la documentazione.

1.1 Descrizione delle simbologie utilizzate

	Leggere il manuale di istruzioni		Avvertenza importante
	Rispettare le avvertenze per la sicurezza		Smaltire in modo eco compatibile
	Interventi possibili solo da parte di personale autorizzato e specializzato		Vedi immagine relativa alla lettera indicata

1.2 Utilizzo corretto



Per un' utilizzo corretto della vostra antenna satellitare automatica Carbest è necessario assicurarsi che :

1.2.1 prima dell' apertura, in prossimità dell' antenna non siano presenti alberi, pareti metalliche o di vetro, edifici e comunque qualsiasi cosa che possa in qualche modo impedire la ricezione del segnale satellitare tv. (vedi immagine 1A e 1B)



1.2.2. prima di aprire l' antenna , nella sua prossimità non sia presente nessun ostacolo che potrebbe impedirne il movimento in apertura e in rotazione. (rami di alberi,balconi, tettoie)

1.2.3 L'antenna è stata progettata e collaudata per sopportare venti fino a 120 km /h tuttavia in presenza di vento forte consigliamo di tenere chiusa l' antenna in quanto la sua ampia superficie velica potrebbe generare delle forti sollecitazioni al debole tetto del vostro camper.

1.2.4 In caso di neve o ghiaccio si provveda a liberare l' antenna prima di azionare il comando di apertura al fine di evitare danneggiamenti e un inutile consumo di batteria

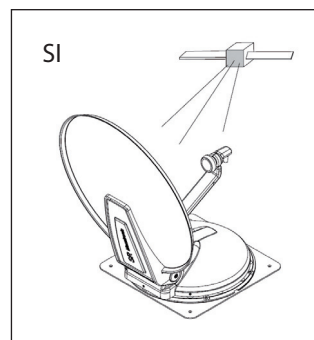
1.2.5 La carica delle vostre batterie sia sempre sufficiente in quanto se la tensione di alimentazione scende sotto i 10 Volt ,il circuito elettronico di sicurezza impedirà all' antenna di sollevarsi .

1.2.6 L'utilizzo dell' antenna sia fatto solo con temperature esterne comprese tra i -15°C e i + 45°C . L' utilizzo dell' impianto al di fuori di questi valori può comportare danneggiamenti o malfunzionamenti.

1.2.7 Dopo aver utilizzato la parabola, prima di ripartire col camper l' antenna sia chiusa ,e comunque di non muoversi fino a quando il cicalino che avvisa la chiusura della parabola non si sarà spento.



1A



1B

1.3 Descrizione

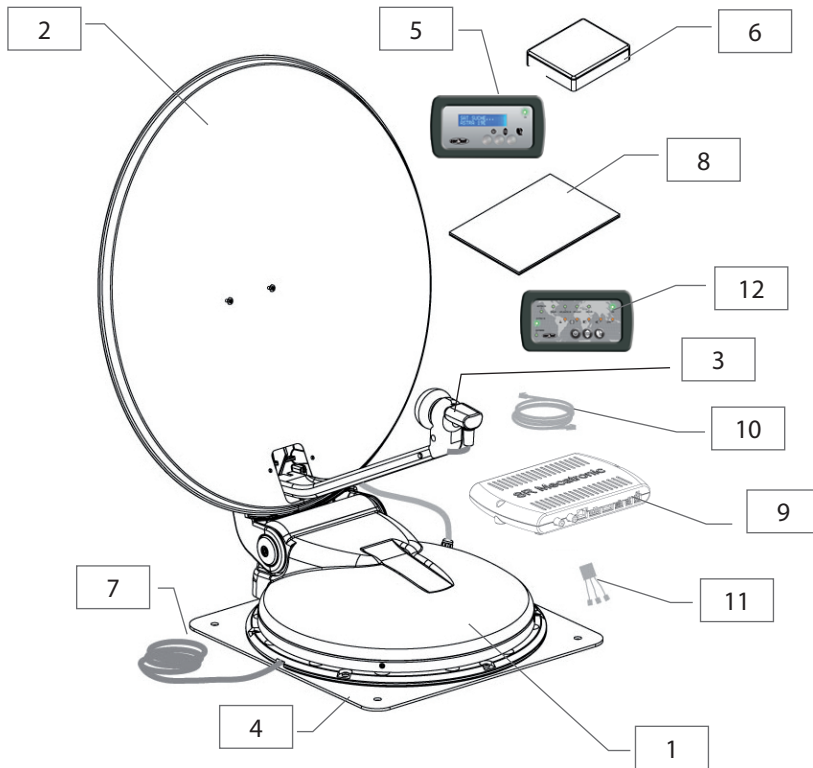
La vostra antenna ASR adotta un sistema di puntamento dei satelliti completamente Automatico.

Questo sistema è in grado di puntare satelliti che emettono un segnale modulato in QPSK , secondo lo Standard DVB-SI EN 300 468 ed è quindi in grado di :

- compiere la ricerca del satellite da voi selezionato
- parcheggiare l' antenna

1.4 Particolari a corredo

- 1 Unità esterna motorizzata
- 2 Parabola di tipo offset di diametro 65-80 cm
- 3 LNB universale
- 4 Piastra di montaggio
- 5 Pannello di comando per utente versione display (solo per modelli plus)
- 6 Scatola a tenuta stagna per passaggio cavi all'interno
- 7 Cablaggio
- 8 Manuale per il montaggio e per l'uso
- 9 Box di comando per unità esterna
- 10 cavo di collegamento rj45 pannello comandi -box
- 11 connettore di alimentazione per box
- 12 Pannello di comando per utente versione a led (per versione base)



1.5 Specifiche tecniche

- Parabola di tipo offset
- Sistema di ricerca completamente automatico a riconoscimento di NID secondo le specifiche DVB-SI EN 300 468 con tuner DVB S2

- Satelliti impostabili versione 1P In questa versione è disponibile solo il satellite predefinito in fabbrica. (es Hot bird 13E per Italia, Astra 19 per Francia e Germania ecc.)

- Satelliti impostabili versione led 7 (Hot bird 13E , Astra 19, Thor, Sirius Atl. Bird , Hispasat , Astra 28)

- Satelliti impostabili versione display 19 (Astra28E, Astra 19E, HotBird 13E, Eutelsat 16E, Sirius 5E, Thor 1W, AtlanticBird 5W, Hispasat 30W, Eutelsat 9E, Eutelsat 7E, Eutelsat 10E, Amos 4W, AtlanticBird 8W, IS-907 27.5W, Astra 23.5E, Hellas 39E, Turksat 42E, Sirius 5EN, Astra 19ES)

- Alimentazione 12 V DC -20 + 30%
- Corrente assorbita 4 Ampere max
- Corrente assorbita in stand-by $\leq 5\text{mA}$
- Peso $\leq 12\text{ kg}$
- Fusibile di protezione 5A
- Dimensioni da chiusa altezza 190 mm
Larghezza 618 mm
Lunghezza 766 mm

INSTALLAZIONE

2



Fate eseguire il montaggio solo da personale specializzato, un montaggio non corretto può causare Danni al mezzo e all'apparecchio.



Prima di procedere all'installazione aprite l'imballo in cartone e controllate l'integrità della parabola e la presenza di tutti gli accessori a corredo indicati sul libretto istruzioni. (SR Mecatronic non accetta contestazioni per danni causati da trasporto o mancanza di materiale dopo che avete montato l'antenna).

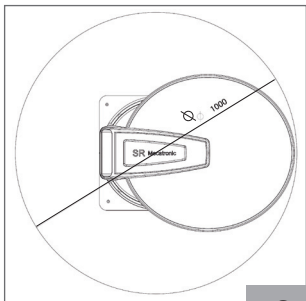
2.1 istruzioni di montaggio dell'unità esterna



ATTENZIONE! Prima di procedere al montaggio leggere attentamente le norme di sicurezza relative all'installazione eventuali errori nell'osservanza delle istruzioni possono provocare danni a persone o cose anche gravi



2.1.1 Individuare sul tetto dell'automezzo una porzione libera sufficientemente ampia (possibilmente ai lati del tetto) per permettere il posizionamento dell'antenna (vedi immagine 2)



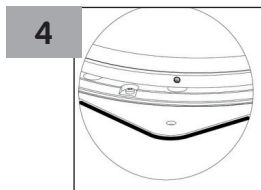
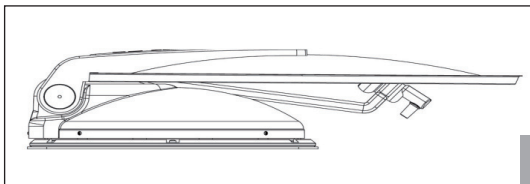
2.1.2 Pulire accuratamente il tetto in corrispondenza della zona prescelta per l'installazione dell'unità esterna (eliminare qualsiasi traccia di unto, grasso e polvere). Pulire accuratamente anche la parte inferiore della piastra di fissaggio per eliminare qualsiasi traccia residua di polvere e grasso.

2.1.3 Mediante una pistola da silicone applicare a temperatura ambiente nella parte inferiore della piastra di fissaggio uno strato uniforme di adesivo poliuretano strutturale (si consiglia l'uso del collante sikaflex 292 e il Rispetto delle sue norme di applicazione).

2.1.4 Posizionare quindi l'unità esterna sul tetto nella zona precedentemente individuata e pulita spingendo con forza su di essa per garantire una buona adesione e distribuzione del collante.

ATTENZIONE!! nel montaggio dell'unità esterna rispettare il senso di marcia (vedi immagine 3) Per ultimare e finire il fissaggio dell'unità esterna applicare tutto intorno alla piastra di fissaggio uno strato di collante per renderla completamente stagna (vedi immagine 4)

← SENSO DI MARCIA



N.B.lasciare riposare all'asciutto e a temperatura ambiente il collante per 24 ore prima di muovere il Mezzo

2.2 istruzioni di montaggio della scatola per passaggio cavi

2.2.1 Per una più veloce e facile installazione dell' antenna individuare sul tetto del camper il punto esatto sotto il quale verrà installato il box di alimentazione e comando (vedi 2.3.1).

2.2.2 Con una fresa a tazza di diametro 20 praticare un foro passante per permettere il passaggio dei cavi all'interno dell'abitacolo .

2.2.3 Pulire e sgrassare bene la superficie attorno al foro , prendere la scatola per il passaggio dei cavi, praticare 1 foro per connettere sulla scatola il passacavo M25 che comprende il cavo sat e il cavo di collegamento con l' unità interna.

2.2.4 Fare passare i cavi all'interno del foro appena praticato sul passatetto e con il dato fornito a corredo serrare bene il passacavo sulla scatola.

2.2.5 Applicare sulla sua base della scatola uno strato abbondante di collante poliuretano strutturale (del medesimo tipo utilizzato per il fissaggio dell' unità esterna) quindi posizionare la scatola sul tetto in corrispondenza del foro avendo cura di esercitare sulla scatola una pressione sufficientemente forte da assicurare una buona distribuzione e adesione del collante.

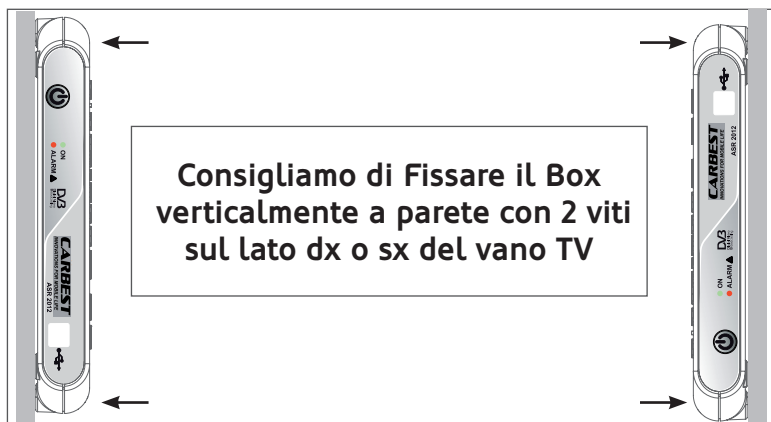
Distribuire bene i cavi sopra il tetto (si consiglia di inserirli all'interno di una canalina per proteggere i cavi dai raggi uv) avendo cura di portare le eccedenze all'interno del camper, a questo punto potete serrare i passacavi precedentemente montati sulla scatola.

2.2.6 Se non utilizzate la canalina è però necessario fissare il cavo al tetto se la tratta dall' unità motrice alla scatola per passaggio cavi è superiore ai 40 cm. utilizzando ad esempio il fermafasciette MFTH-2-01-RT della ritcho.

Lo scopo è di fissare i cavi al tetto in modo da impedirne il movimento.

A questo punto il montaggio esterno dell' antenna è ultimato.

2.3 Istruzioni di montaggio del box di comando



5

2.3.1 Individuare una zona all'interno del camper facilmente accessibile all'utente, possibilmente all'interno del vano tv o all'interno di un pensile.

2.3.2 Posizionare e fissare il box a parete all'interno di un vano accessibile e areato in modo da avere veloce e facile accesso in caso di assistenza (vedi immagine 5)



ATTENZIONE ! : l'aerazione dell'apparato è importante per non stressare inutilmente i componenti.

2.4 Istruzioni di montaggio dell'unità interna di comando per versione Led e Plus

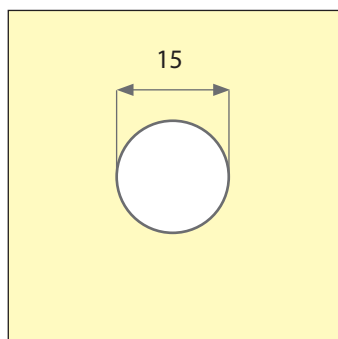
2.4.1 Individuare una zona all'interno del camper facilmente accessibile e visibile ad una distanza inferiore a metri 2 dal box di comando (altrimenti il cavo di collegamento tra il box e il pannello comandi non arriverebbe).

2.4.2 Mediante una fresa a tazza di diametro 15 praticare un foro passante nel punto prescelto al montaggio (vedi disegno. 6).

2.4.3 Fare passare il cavo di collegamento RJ45 patch cat6 a corredo dell'antenna all'interno del foro ed effettuare la connessione tra il box e l'unità interna di comando (vedi disegno.7/7.1).

IT

2.4.4 Mediante le 4 viti a corredo fissare l'unità interna di comando sul camper (vedi disegno. 6).



6



2.5 collegamenti elettrici

2.5.1 Collegare il cavo grigio proveniente dall'unità esterna ai corrispondenti connettori situati sul box denominati external unit (vedi disegno. 7)

2.5.2 Collegare il cavo coassiale nero proveniente dall'LNB della parabola al connettore F del box denominato LNB .

N.B. Nelle parabole a doppia uscita il secondo cavo coassiale nero che esce dall'antenna va collegato direttamente al secondo decoder (vedi dis. 7.1)

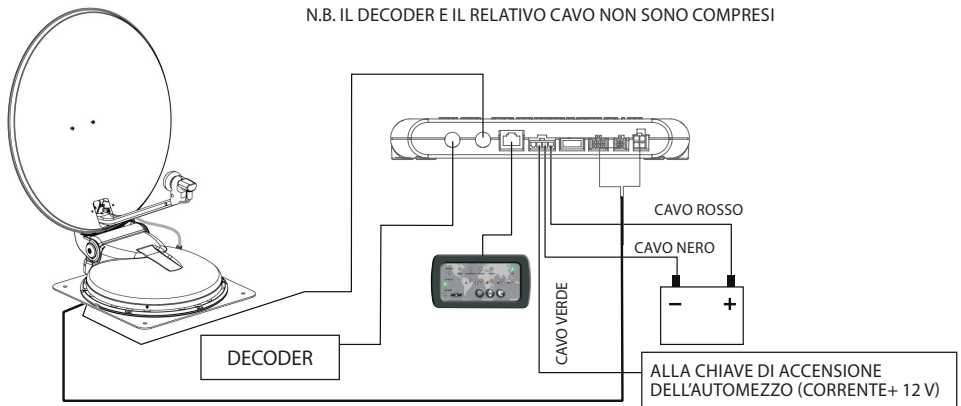
2.5.3 Inserire il connettore per l'alimentazione a corredo dell'antenna nel rispettivo connettore posto sul box denominato 12V .

2.5.4 Collegare il cavo nero del connettore di alimentazione al polo negativo della batteria e il cavo rosso al polo positivo della batteria.

2.5.5 Collegare il cavo verde del connettore di alimentazione al consenso della consolle di avviamento dell' automezzo per permettere l' abbassamento in automatico della parabola quando si prova ad accendere il mezzo con la parabola aperta. In molti casi il consenso si trova sul pin 15 della morsetteria generale e in ogni caso corrisponde ad una tensione positiva di +12 VDC generata quando si gira la chiave di accensione del mezzo.

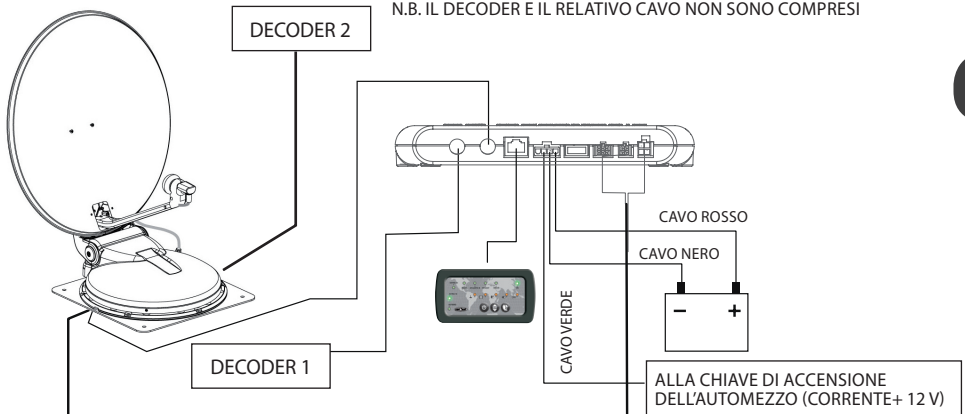
7

SCHEMA DI CABLAGGIO VERSIONE AD UNA USCITA
N.B. IL DECODER E IL RELATIVO CAVO NON SONO COMPRESI



7.1

SCHEMA DI CABLAGGIO VERSIONE A DUE USCITE
N.B. IL DECODER E IL RELATIVO CAVO NON SONO COMPRESI



NORME GENERALI DI SICUREZZA

3



ATTENZIONE! Leggere tutte le istruzioni.

Eventuali errori nell'osservanza delle istruzioni riportate di seguito possono provocare danni a persone o cose anche gravi .

CONSERVARE BENE QUESTE ISTRUZIONI

3.1 Area di lavoro



Prima di dare il consenso al comando di apertura della parabola assicurarsi che l'area di lavoro della Parabola sia sgombera da ostacoli (rami di alberi, balconi sporgenti, ecc. ecc.) PERICOLO DI DANNI ALLA PARABOLA E AL CAMPER

3.2 Sicurezza e alimentazione elettrica

Alimentare unicamente l'apparecchio con tensione 12 Volt direttamente dalla batteria servizi con cavi di sezione minima di 2.5 mm.

Nel caso di utilizzo di alimentatori elettrici 12 Volt in alternativa alla batteria, accertatevi che questi siano di tipo stabilizzato e con una capacità di erogare 3 Ampere in modo continuo e 10 per brevi periodi. Evitare assolutamente l'utilizzo di carica batterie di scarsa qualità non stabilizzati.

3.3 sicurezza delle persone



Prima di dare il consenso al comando di apertura della parabola assicurarsi che sul tetto del Camper non siano presenti persone che potrebbero inavvertitamente entrare nel raggio di azione della parabola nella sua fase di apertura o chiusura PERICOLO DI FERIMENTI ANCHE GRAVI A PERSONE

3.4 Sicurezza durante le operazioni di montaggio



Per le operazioni di montaggio a rischio di caduta è necessario adottare misure di sicurezza idonee come ad esempio un ponte di lavoro quando operate sul tetto del camper. Accertatevi inoltre che il tetto del veicolo abbia una portata sufficiente per eseguire le operazioni di Montaggio.

Assicurarsi inoltre durante il montaggio che :

- l'apparecchio sia disalimentato dalla rete elettrica
- la persona incaricata del montaggio non soffra di vertigini
- la persona incaricata sia dotata di scarpe antiscivolo e antifortunistiche
- durante le operazioni di montaggio nessuno si trovi sotto l'antenna
- i mezzi di salita siano antiscivolo ed asciutti
- il ponte o la scala siano sufficientemente stabili e robusti

3.5 Normative relative alla messa in circolazione

Non è necessaria nessuna notifica sui documenti di circolazione se l'antenna si trova ad un'altezza Superiore ai 2 metri e se non sporge lateralmente dalle sagome dell'autoveicolo In altezza invece la parabola non può superare 4 metri (parabola più veicolo).

USO

4

4.1 Destinazione d'uso

L'antenna satellitare è stata realizzata per la ricezione di segnali televisivi e radio digitali attraverso il satellite solo quando il mezzo è fermo .

l'unità di ricezione consente di ricevere i segnali televisivi e radio satellitari all'interno delle frequenze comprese tra i 10,7 GHz. e i 12,75 GHz.

Qualsiasi altro utilizzo comporta la perdita dei diritti di garanzia .

Attenzione : non si assumono responsabilità per eventuali danni in caso di :



- impiego errato e non conforme agli scopi previsti
- riparazioni non eseguite presso i centri di assistenza autorizzati
- manomissioni di qualsiasi componente della macchina
- impiego di pezzi di ricambio ed accessori non originali
- mancato rispetto delle norme d'uso indicate nel presente manuale

IN QUESTI CASI VIENE A DECADERE LA GARANZIA

4.2. Descrizione del Pannello comandi per versione 1P

Accensione

Per accendere la vostra antenna premete il tasto di on / off (3) del pannello di comando. Alla pressione del tasto si accenderanno simultaneamente i LED verde e rosso per verificare la corretta funzionalità dei LED.

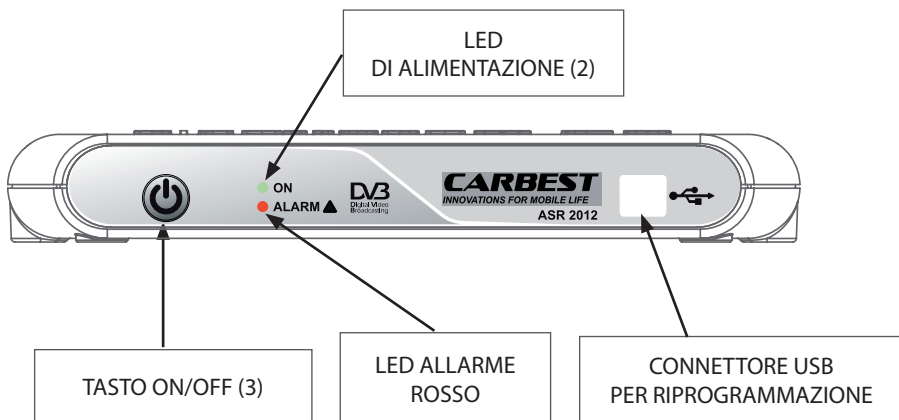
Dopo qualche secondo il LED rosso si spegnerà e il LED verde comincerà a lampeggiare indicando l'inizio della ricerca del satellite, si metterà poi a lampeggiare molto velocemente in presenza del segnale rilevato e diventerà verde fisso appena trovato e riconosciuto il satellite.

Parcheggio / spegnimento dell' antenna

Per parcheggiare e quindi spegnere l' antenna premete il tasto on /off (3) per qualche secondo fino a quando il led verde comincerà a lampeggiare.

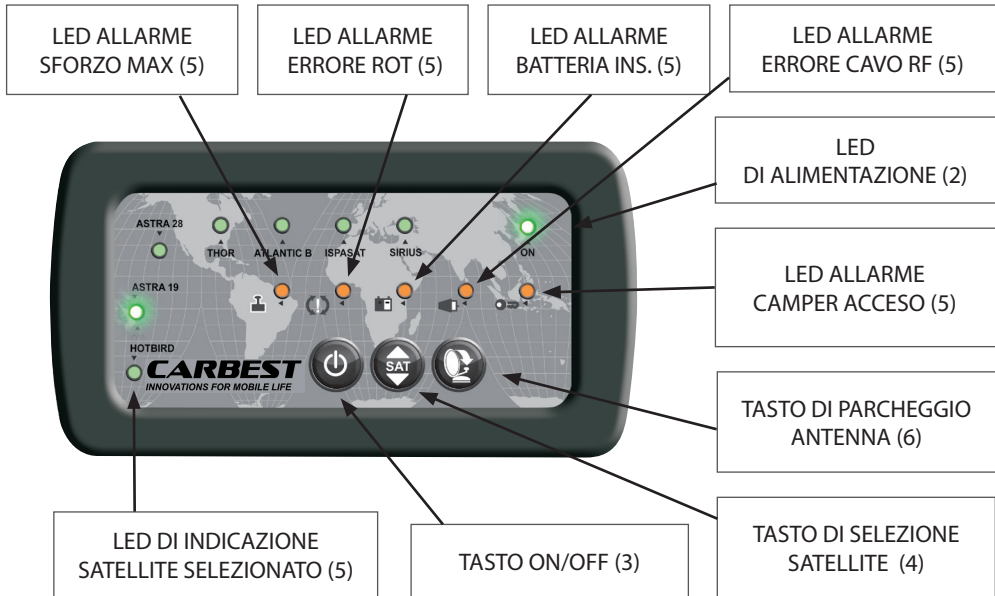
Questa funzione v'è eseguita sempre prima di effettuare la partenza e permette di riportare in posizione di riposo e quindi di viaggio la vostra antenna.

Premendo il tasto relativo a questa funzione il led verde comincerà a lampeggiare per tutto il tempo necessario alla chiusura dell' antenna e si spegnerà a chiusura ultimata.

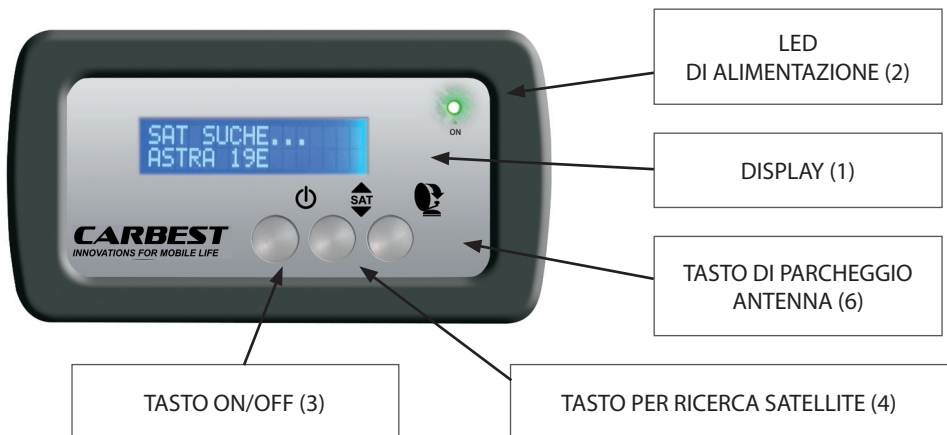


N.B. per segnalazione allarmi vedi paragrafo 6.4.1

4.2.1 Descrizione del Pannello comandi per versione LED



4.2.2 Descrizione del Pannello comandi DISPLAY per versione Plus





4.3 Accensione

Per accendere la vostra antenna premete il tasto di on / off (3) del pannello di comando. Alla pressione del tasto si accenderanno simultaneamente nella versione a led:

- il led verde di alimentazione (2) per indicare lo stato di alimentazione
 - il led verde (5) relativo al satellite selezionato in modalità lampeggiante fino a quando l'antenna non avrà agganciato il satellite .
- Appena l'antenna avrà agganciato il satellite il led diventerà verde fisso .

Alla pressione del tasto si accenderanno simultaneamente nella versione display:

- il led verde di alimentazione (2) per indicare lo stato di alimentazione
- il display che indicherà a video il nome del satellite selezionato che l'antenna automaticamente andrà a cercare .

N.B. se l'antenna non si trova in posizione di parcheggio al momento dell'accensione il sistema Invece di compiere la ricerca del satellite provvederà a chiudere l'antenna.

4.4 Ricerca e selezione del satellite

Come indicato al paragrafo 4.3 appena accendete l'antenna , il sistema incomincia subito la fase di ricerca del satellite precedentemente selezionato.

Se il satellite visualizzato non è quello da voi gradito premendo il tasto (4) del pannello di comando potete :

- a) nella versione display ; scorrere a display la lista dei satelliti memorizzati fino a quando non avrete trovato quello di vostro interesse.
- b) nella versione a led ; scorrere i vari led fino a quando la luce si accende sul led relativo al satellite di vostro interesse.

Il sistema automaticamente provvederà ad effettuare la ricerca del nuovo satellite selezionato e ne memorizzerà la posizione per facilitare e velocizzare la ricerca successiva .

Se dopo aver effettuato tutta la scansione possibile in elevazione l'antenna non sarà riuscita a compiere la ricerca il sistema provvederà a riportare in parcheggio l'antenna

4.5 Parcheggio dell' antenna

Per parcheggiare l' antenna premete il tasto (6).

Questa funzione verrà eseguita sempre prima di effettuare lo spegnimento e permette di riportare in posizione di riposo e quindi di viaggio la vostra antenna.

Premendo il tasto relativo a questa funzione il led verde comincerà a lampeggiare per tutto il tempo necessario alla chiusura dell' antenna e si spegnerà a chiusura ultimata. Nella versione display durante la fase di chiusura comparirà la scritta (chiusura in corso).

4.6 Spegnimento

Per spegnere la vostra antenna premete il tasto di accensione / spegnimento (3) tenendolo premuto per 5 secondi.

ATTENZIONE !!! Per un' utilizzo corretto prima di spegnere la vostra antenna col tasto (3) assicuratevi di aver riportato in parcheggio la vostra antenna (tasto 6).

Se spegnete l' antenna senza averla riportata in posizione di parcheggio l' antenna rimarrà nella posizione precedente allo spegnimento.

L' antenna verrà riportata in posizione di riposo solo girando la chiave di accensione del



mezzo a condizione che il filo verde del box sia stato collegato correttamente con la + 12V che si genera quando si gira la chiave di accensione.

4.7 Programmazione delle lingue sul display

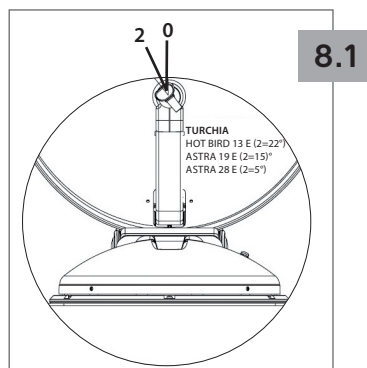
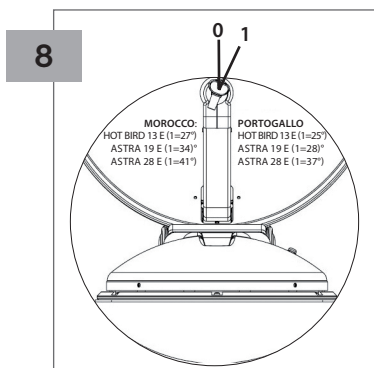
4.7.1 Le lingue programmabili nel display sono 6 e più precisamente : Italiano, Spagnolo, Francese, Inglese, Tedesco, Olandese.

4.7.2. Per accedere al menù di programmazione lingue è necessario :

- Accendere l'antenna con tasto ON (3)
- Attendere la partenza e riportare in chiusura l'antenna premendo il tasto parking (6)
- attendere 5 secondi dalla chiusura dopodichè premere prima il tasto del cambio satelliti (4) e poi il tasto parcheggio (6) avendo cura di tenere premuti entrambi i tasti contemporaneamente.
- Se l'operazione è stata eseguita correttamente sul display comparirà la lingua attualmente impostata seguita da 3 asterischi (esempio ITALIANO ***)
- Premere ripetutamente il tasto del cambio sat (4) per scorrere il menù fino a trovare la lingua desiderata .
- Per salvare la lingua selezionata premere il tasto parcheggio (6). appena premuto il tasto compariranno 3 puntini ad indicare che il sistema ha preso il comando dato e dopo qualche secondo compariranno i 3 asterischi a conferma della nuova memorizzazione .
- ripremere simultaneamente i tasti cambio sat (4) e parcheggio (6) per uscire dal menù

4.8 Note particolari

La posizione di montaggio del convertitore (LNB) in fabbrica e' lungo l'asse mediano del disco e In Questa configurazione il convertitore funziona correttamente nella maggior parte dei paesi europei, tuttavia se vi trovate in aree molto marginali dal foot print del satellite potrebbe essere necessario eseguire una regolazione dell'angolo del convertitore. In particolare se desiderate ricevere delle trasmissioni dai satelliti Astra 28E, Astra 18E oppure Hot Bird 13E e vi trovate in Portogallo, Marocco o Turchia dovrete svitare leggermente la vite che blocca il convertitore per ruotarlo dei gradi e nel senso indicato nei disegni 8 e 8.1.



SMALTIMENTO

5

Ai sensi dell' art. 13 del decreto legislativo n° 151 del 25-luglio 2005 " attuazione

delle direttive 2002/95/CE , 2002/96/CE , 2003/108/CE , relative alla riduzione dell' uso di sostanze pericolose nelle apparecchiature elettriche ed elettroniche, nonché allo smaltimento dei rifiuti ".



Il simbolo del cassonetto barrato indica che il prodotto alla fine della propria vita utile deve essere smaltito separatamente dagli altri rifiuti e non può essere buttato assieme alla spazzatura della casa .

L' utente dovrà pertanto portare l' apparecchiatura giunta a fine vita agli idonei centri di raccolta differenziata dei rifiuti elettrotecnici ed elettronici indicati dai propri comuni di appartenenza.

L' adeguata raccolta differenziata per l' avvio successivo dell' apparecchiatura dimessa al riciclaggio ,al trattamento, e allo smaltimento ambientalmente compatibile contribuisce ad evitare possibili effetti negativi sull'ambiente e sulla salute favorendo il reimpiego e il riciclo dei materiali di cui è composta l' apparecchiatura.

Lo smaltimento abusivo del prodotto da parte dell' utente comporta l' applicazione delle sanzioni amministrative previste dalla normativa vigente.

INFORMAZIONI

6

6.1 Service



CAUTION! Fare riparare L' apparecchio solamente da personale qualificato e autorizzato (vedi paragrafo 5.5 relativo ai centri assistenza) , solo in questo modo si può essere sicuri di poter continuare ad utilizzare l' apparecchio in condizioni di Sicurezza, senza rischio di decadimento della garanzia e con la certezza che saranno utilizzati solamente pezzi di ricambio originali.

IT



6.2 Garanzia

6.2.1 L'apparecchio è garantito 3 anni dalla data di acquisto per tutte le parti meccaniche e 2 anni per le Parti elettroniche.

SR Mecatronic garantisce che l'apparecchio è stato prodotto e collaudato con estrema cura e pertanto privo di difetti prima della consegna .

6.2.2 Conservare lo scontrino o la fattura che dovrà essere obbligatoriamente esibita come prova di acquisto per gli interventi in garanzia (pena il decadimento della stessa)

6.2.3 Provvederemo ad eliminare gratuitamente i difetti riscontrati su questo apparecchio in un tempo ragionevole successivo al ricevimento dell'apparecchio .

Le spese necessarie a tale scopo , soprattutto i costi del lavoro e del materiale saranno totalmente a nostro Carico , mentre i costi e i rischi derivati dal trasporto dell'apparecchio fino al centro autorizzato saranno a suo carico .

6.2.4 Gli interventi in garanzia non determinano una proroga o un rinnovo del periodo di garanzia dell'apparecchio.

Le parti sostituite diventano automaticamente di nostra proprietà .

6.2.5 Per un'eventuale intervento di garanzia la preghiamo di consegnare a sua cura l'apparecchio al nostro centro di assistenza autorizzato.

Si assicuri che l'imballaggio sia in perfette condizioni e adeguato per un trasporto in sicurezza (imballo originale).

Inserisca nel pacco il suo indirizzo completo insieme ad una breve descrizione del guasto Per comprovare il suo diritto di garanzia la preghiamo inoltre di accludere al pacco il documento originale di Acquisto (scontrino o fattura).

6.2.6 ESCLUSIONI

Dalla garanzia sono espressamente esclusi quei difetti che :

- si verificano a seguito di uso errato, negligenza, incuria nell'uso e nella custodia
- sono causati da errata installazione, manutenzione o riparazione da parte di persone non autorizzate o da danneggiamento durante il trasporto
- non sono riconducibili a vizi di fabbricazione
- sono attribuiti all'uso di accessori e parti di ricambio non originali
- sono stati provocati da fulmini, errata tensione di alimentazione così come tutti gli altri eventuali danni che non sono oggettivamente imputabili al produttore

6.3 Dichiarazione di conformità del produttore

DICHIARAZIONE DI
CONFORMITA' CE

SR Mechatronic srl
Via Aldo Moro 1-3 -40046 Porretta Terme (BO) Italy

Dichiariamo sotto la nostra responsabilità che il prodotto:
ANTENNA SATELLITARE AUTOMATICA Type ASR

E' conforme alle seguenti norme :

Compatibilità elettromagnetica	: 55022, EN 55024
Sicurezza macchine	: 12100-1,EN12100-2,EN294,EN349
Grado IP	: EN60529
Vibrazione 529	: 965/56 CEE

Porretta Terme, 12-10-2009

il Titolare

Marco Santoli



6.4 Risoluzione problemi

PROBLEMI	CAUSE	RIMEDI
La parabola non si apre	<ul style="list-style-type: none"> -Manca l'alimentazione all'antenna -Presenza di un ostacolo sopra l'antenna -il camper è in moto -si è staccata una connessione 	<ul style="list-style-type: none"> -accendere il pannello comandi -rimuovere l'ostacolo -spegnere il camper -verificare le connessioni
Errore satellite non trovato	<ul style="list-style-type: none"> -avete degli impedimenti di fronte alla parabola come alberi, pareti metalliche, edifici che impediscono la ricezione del segnale. -la connessione dal box all'LNB della parabola è lento -siete fuori o ai margini estremi dal foot print del satellite 	<ul style="list-style-type: none"> -spostarsi col camper dalle zone che impediscono la ricezione satellitare, verificando di avere il sud libero da ostacoli. -stringere i connettori e riprovare -se siete in Portogallo, Marocco o Turchia verificate di aver operato come al paragrafo 4.7 diversamente aspettate di rientrare in paesi più centrali
Errore sforzo massimo in rotazione	<ul style="list-style-type: none"> -ci sono degli ostacoli nel raggio di azione della parabola (rami, ghiaccio o neve) 	<ul style="list-style-type: none"> -rimuovere gli ostacoli che impediscono la rotazione
Errore sforzo massimo in elevazione	<ul style="list-style-type: none"> -ci sono degli ostacoli nel raggio di azione della parabola (rami, ghiaccio o neve) 	<ul style="list-style-type: none"> -rimuovere gli ostacoli che ne impediscono l'elevazione
Errore rotazione	<ul style="list-style-type: none"> -il motore della rotazione non gira 	<ul style="list-style-type: none"> --controllare le connessioni del cavo grigio che arriva al box dall'antenna alla posizione external unit
Errore elevazione	<ul style="list-style-type: none"> -il motore dell'elevazione non gira 	<ul style="list-style-type: none"> -controllare le connessioni del cavo grigio che arriva al box dall'antenna alla posizione external unit
Errore alimentazione insufficiente	<ul style="list-style-type: none"> -la vostra batteria è troppo scarica per garantire un corretto funzionamento del sistema 	<ul style="list-style-type: none"> -provvedere alla ricarica della batteria
Errore alimentazione instabile	<ul style="list-style-type: none"> -batteria difettosa o presenza di alimentazione non stabilizzata 	<ul style="list-style-type: none"> spegnere eventuali generatori di corrente o fare vedere la batteria
L'antenna perde il segnale	<ul style="list-style-type: none"> -connessioni lente -forti temporali o vento forte 	<ul style="list-style-type: none"> -controllare e serrare le connessioni F del box, dell'antenna e del decoder -attendere il cessare dell'evento atmosferico
Errore cavo RF	<ul style="list-style-type: none"> -cavo satellite interrotto o scollegato 	<ul style="list-style-type: none"> -verificare connessione -verificare tensione di alimentazione -Verificare LNB

6.4.1 GESTIONE ERRORI CENTRALINA 1 P

A differenza delle versioni LED e DISPLAY questo tipo di centralina gestisce gli allarmi mediante impulsi luminosi e sonori in sequenza.

Quando compare un'errore di funzionamento si accende in modo fisso il led rosso.

Per capire di quale tipo di errore si tratta è sufficiente premere il tasto ON/OFF. Una serie di lampeggi e segnali acustici indicheranno il tipo di errore che potete trovare nella tabella sottostante.

TIPO DI ALLARME	DESCRIZIONE ALLARME
1 Lampeggio con 1 BIP	- errore Rotazione verticale
2 Lampeggi con 2 BIP	- errore Rotazione orizzontale
3 Lampeggi con 3 BIP	- errore Sforzo massimo
4 Lampeggi con 4 BIP	- errore Satellite non trovato
5 Lampeggi con 5 BIP	- Batteria scarica
6 Lampeggi con 6 BIP	- Verificare cavo RF
7 Lampeggi con 7 BIP	- errore Violazione range verticale
8 Lampeggi con 8 BIP	- errore Violazione range orizzontale
9 Lampeggi con 9 BIP	- Chiave camper ON
10 Lampeggi con 10 BIP	- errore Alimentazione instabile
11 Lampeggi con 11 BIP	- Posizione GPS non valida
12 Lampeggi con 12 BIP	- Errore skew bloccato



ATTENZIONE! Per far uscire la vostra antenna dalla modalità di errore, premere per 5 secondi il tasto ON/OFF fino a quando il LED verde non comincerà a lampeggiare.

Se l'errore sarà reversibile, l'antenna riprenderà il normale funzionamento; in caso contrario dovrete rivolgervi al centro assistenza a voi più vicino.

6.5 Associazione APP BlueTooth

METODO CON BOX

- Accendere il Bluetooth del dispositivo e aprire l'applicazione ASR;
- Tenere premuto il tasto "Associazione" finché non si apre un messaggio pop-up;
- Controllare che il BOX sia spento e l'antenna chiusa;
- Premere il pulsante ON sul Box finché non si sente un segnale acustico;
- Premere "Continuare" sul vostro dispositivo;
- Quando compare un nuovo messaggio pop-up premere "Continuare";
- Verrà emesso un BIP di conferma per "Procedura di associazione completata", premere "OK";
- Togliere per qualche secondo l'alimentazione di corrente al BOX e rimetterla;
- Accendere tramite tasto ON il BOX;
- Cliccare "Connessione" dall'applicazione e attendere qualche secondo;
- Finito il caricamento verrà aperto il menu per selezionare il satellite preferito.

METODO CON BOX E TASTIERINO LED

- Accendere il Bluetooth nel telefono e aprire l'app ASR;
- Tenere premuto il tasto "Associazione" finché non si apre il messaggio pop-up;
- Accendere l'antenna dal tasto ON/OFF del tastierino LED e aspettare l'apertura completa;
- Richiudere l'antenna col tasto di chiusura piatto;
- Controllare che il LED verde (in alto a sinistra) sia acceso e fisso;
- Tenere premuto il tasto "chiusura antenna", aspettare che tutte le luci rosse si accendano in sequenza e che il box emetta un segnale acustico;
- Quando compare un nuovo messaggio pop-up premere "Continuare";
- Comparirà un altro messaggio pop-up, premere "Continuare" e poi "OK";
- Premere tasto ON/OFF per spegnere l'antenna e riaccenderla;
- Cliccare "Connessione" dall'applicazione e attendere qualche secondo;
- Finito il caricamento verrà aperto il menu per selezionare il satellite preferito.

METODO CON BOX E TASTIERINO DISPLAY

- Accendere il Bluetooth nel telefono e aprire l'app ASR;
- Tenere premuto il tasto "Associazione" finché non si apre il messaggio pop-up;
- Accendere l'antenna dal tasto ON/OFF del tastierino LED e aspettare l'apertura completa;
- Richiudere l'antenna col tasto di chiusura piatto;
- Controllare che il LED verde (in alto a sinistra) sia acceso e fisso;
- Tenere premuto il tasto "chiusura antenna", aspettare che i pixel del display si accendano in sequenza e che il box emetta un segnale acustico;
- Quando compare un nuovo messaggio pop-up premere "Continuare";
- Comparirà un altro messaggio pop-up, premere "Continuare" e poi "OK";
- Premere tasto ON/OFF per spegnere l'antenna e riaccenderla;
- Cliccare "Connessione" dall'applicazione e attendere qualche secondo;
- Finito il caricamento verrà aperto il menu per selezionare il satellite preferito.

CERTIFICATO DI GARANZIA :

Compilare e spedire a SR Meccatronic srl
Via Aldo Moro 1 - 3 - 40046 Porretta Terme BO

NOME	COGNOME	VIA	CITTA'
CAP.	PROVINCIA	TELEFONO	E-MAIL
Data di acquisto	Timbro del rivenditore	



NOTE:

NOTE:

NOTE:

NOTE:

CARBEST

INNOVATIONS FOR MOBILE LIFE

**REIMO Reisemobil-Center GMBH
BOSCHRING 10
63326 EGELSBACH (GERMANY)
www.reimo.com**

SR Mecatronic behält sich das Recht vor,
Änderungen ohne Vorankündigung vornehmen zu können.
Überarb. 01 vom 08.08.11

code: 160001015

SR Mecatronic:

reserves the right to make changes without notice - Rev 02 of 02-02-13

behält sich das Recht vor, Änderungen ohne Vorankündigung vornehmen zu können. - Überarb. 02 vom 02.02.13

si riserva di apportare qualsiasi modifica senza preavviso - Rev.02 del 02-02-13