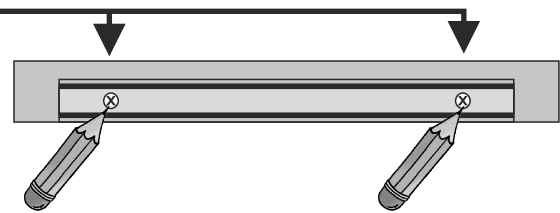
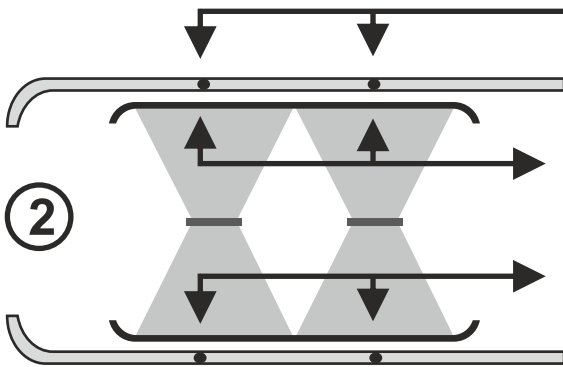
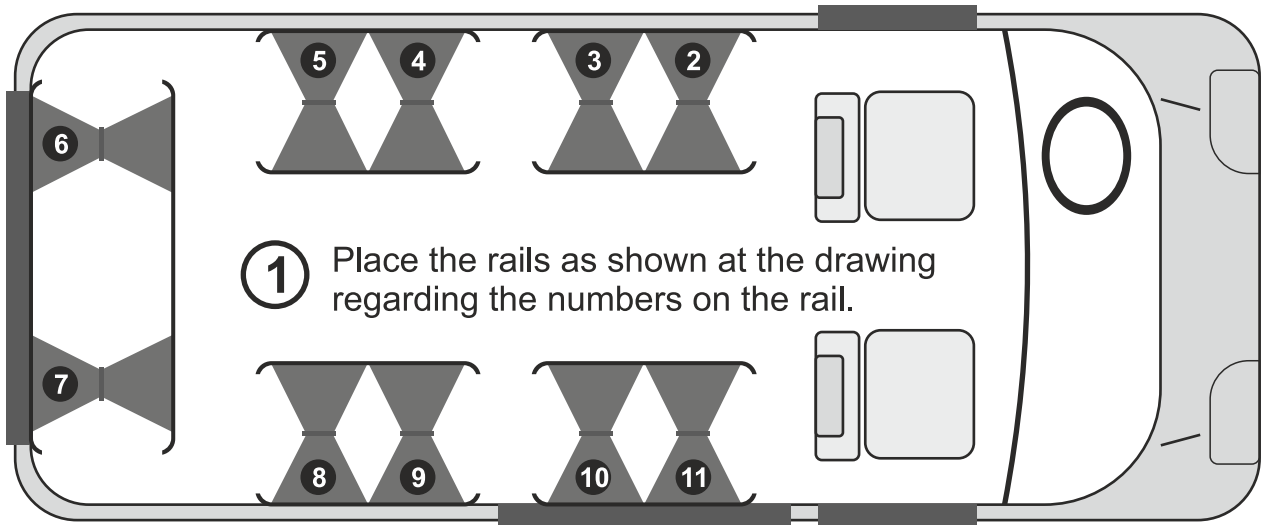
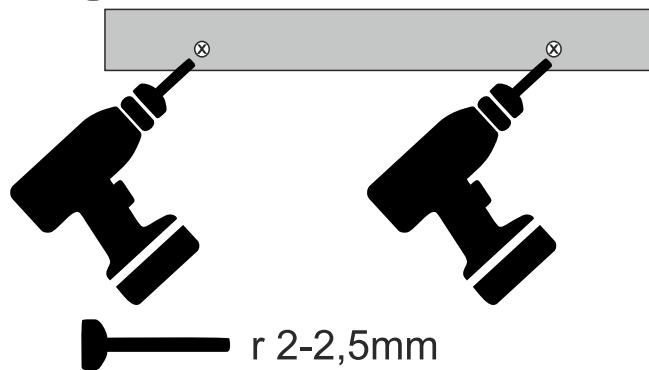


# VOLSWAGEN T5 | Railed Curtain Installation Guide



Mark the holes on the rails by a pencil.

③ Drill the marks by using driller.



④ Screw the rails to the car.

