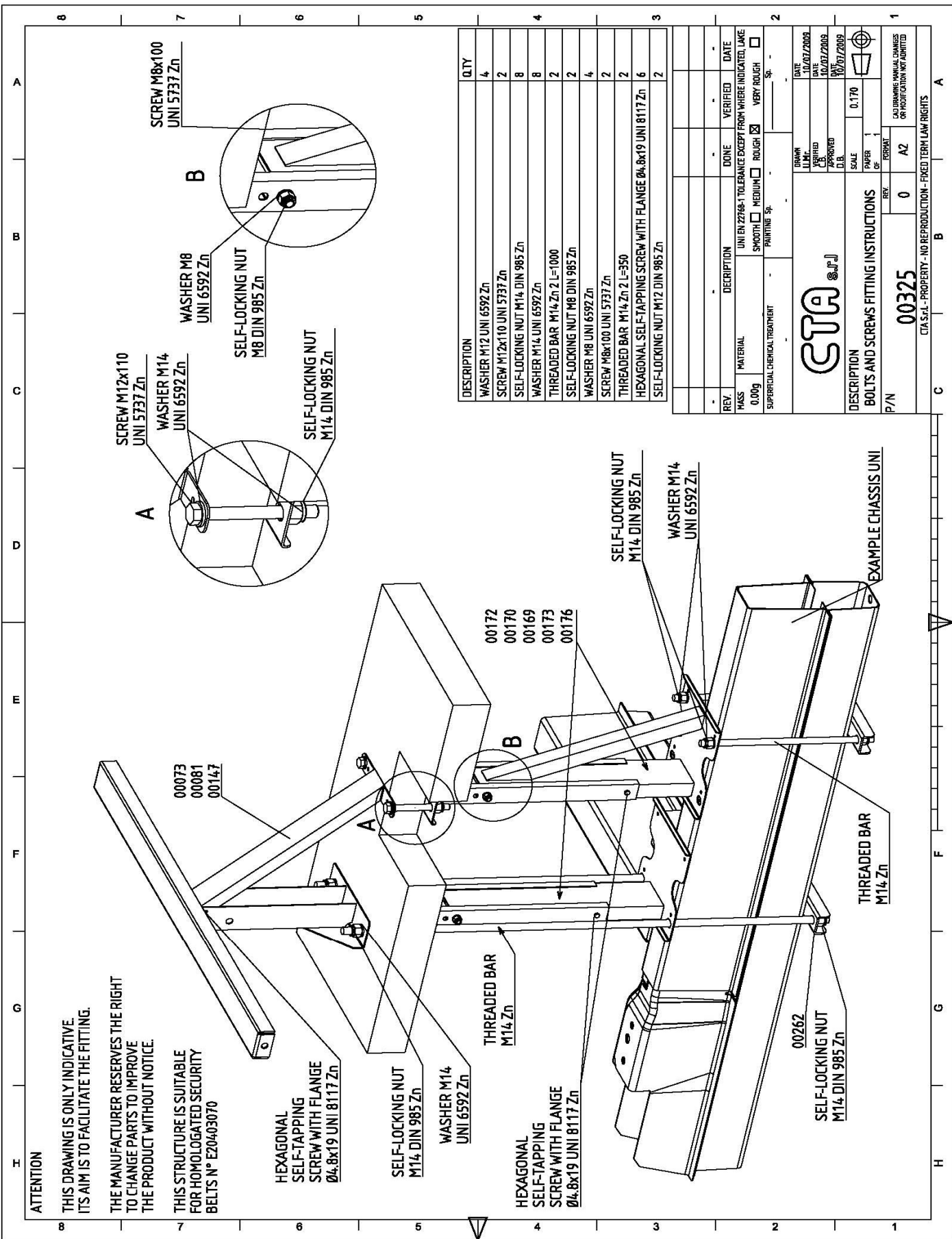


ATTENTION
 THIS DRAWING IS ONLY INDICATIVE.
 ITS AIM IS TO FACILITATE THE FITTING.
 THE MANUFACTURER RESERVES THE RIGHT
 TO CHANGE PARTS TO IMPROVE
 THE PRODUCT WITHOUT NOTICE.
 THIS STRUCTURE IS SUITABLE
 FOR HOMOLOGATED SECURITY
 BELTS N° E20403070

| DESCRIPTION | Q.TY |
|--|------|
| WASHER M12 UNI 6592 Zn | 4 |
| SCREW M12x110 UNI 5737 Zn | 2 |
| SELF-LOCKING NUT M14 DIN 985 Zn | 4 |
| WASHER M14 UNI 6592 Zn | 4 |
| THREADED BAR M14 Zn L=1000 | 2 |
| SELF-LOCKING NUT M8 DIN 985 Zn | 2 |
| WASHER M8 UNI 6592 Zn | 4 |
| SCREW M8x100 UNI 5737 Zn | 2 |
| WOOD SCREW Ø6x40 UNI 704 DIN 571 Zn | 4 |
| HEXAGONAL SELF-TAPPING SCREW WITH FLANGE Ø4.8x19 UNI 8117 Zn | 6 |
| SELF-LOCKING NUT M12 DIN 985 Zn | 2 |

| | | | | |
|---|-------------|---|------------|------------|
| REV. | DESCRIPTION | DONE | VERIFIED | DATE |
| PASS | MATERIAL | UNI EN 2768-1 TOLERANCE EXCEPT FROM WHERE INDICATED LAKE | | |
| 0.00g | | SMOOTH <input type="checkbox"/> MEDIUM <input type="checkbox"/> VERY ROUGH <input type="checkbox"/> | | |
| SUPERFICIAL CHEMICAL TREATMENT | | PAINTING Sp. _____ | | |
| CTA S.r.l. | | DESIGN | SCALE | 0.170 |
| | | DATE | DATE | DATE |
| | | 10/07/2008 | 10/07/2008 | 10/07/2008 |
| | | APPROVED | APPROVED | APPROVED |
| | | C.B. | C.B. | C.B. |
| | | D.B. | D.B. | D.B. |
| | | SCALE | SCALE | SCALE |
| | | 1 | 1 | 1 |
| | | OF | OF | OF |
| | | PRINT | PRINT | PRINT |
| | | AZ | AZ | AZ |
| P/N | | SERIE 00324.XX | | |
| DESCRIPTION | | | | |
| BOLTS AND SCREWS FITTING INSTRUCTIONS | | | | |
| COURTESY MANUAL DAMAGES OR MODIFICATIONS ADMITTED | | | | |

CIA S.r.l. - PROPERTY - NO REPRODUCTION - PEGED TERM LAW RIGHTS



ATTENTION

THIS DRAWING IS ONLY INDICATIVE. ITS AIM IS TO FACILITATE THE FITTING. THE MANUFACTURER RESERVES THE RIGHT TO CHANGE PARTS TO IMPROVE THE PRODUCT WITHOUT NOTICE.

THIS STRUCTURE IS SUITABLE FOR HOMOLOGATED SECURITY BELTS N° E20403070

HEXAGONAL SELF-TAPPING SCREW WITH FLANGE Ø4.8x19 UNI 8117 Zn

SELF-LOCKING NUT M14 DIN 985 Zn

WASHER M14 UNI 6592 Zn

THREADED BAR M14 Zn

HEXAGONAL SELF-TAPPING SCREW WITH FLANGE Ø4.8x19 UNI 8117 Zn

SELF-LOCKING NUT M14 DIN 985 Zn

WASHER M14 UNI 6592 Zn

00262
SELF-LOCKING NUT M14 DIN 985 Zn

THREADED BAR M14 Zn

EXAMPLE CHASSIS UNI

| DESCRIPTION | QTY |
|--|-----|
| WASHER M12 UNI 6592 Zn | 4 |
| SCREW M12x110 UNI 5737 Zn | 2 |
| SELF-LOCKING NUT M14 DIN 985 Zn | 8 |
| WASHER M14 UNI 6592 Zn | 8 |
| THREADED BAR M14 Zn 2 L=1000 | 2 |
| SELF-LOCKING NUT M8 DIN 985 Zn | 2 |
| WASHER M8 UNI 6592 Zn | 4 |
| SCREW M8x100 UNI 5737 Zn | 2 |
| THREADED BAR M14 Zn 2 L=350 | 2 |
| HEXAGONAL SELF-TAPPING SCREW WITH FLANGE Ø4.8x19 UNI 8117 Zn | 6 |
| SELF-LOCKING NUT M12 DIN 985 Zn | 2 |

| REV. | DESCRIPTION | DONE | VERIFIED | DATE |
|-------|--|--------------------------|-------------------------------------|------|
| 0.00g | UNI EN 2286-1 TOLERANCE EXCEPT FROM WHERE INDICATED, LAKE SUPERFICIAL CHEMICAL TREATMENT | <input type="checkbox"/> | <input checked="" type="checkbox"/> | |

CTA S.p.A.

DESCRIPTION
BOLTS AND SCREWS FITTING INSTRUCTIONS

P/N
00325

SCALE
0.170

DATE
10/07/2009

APPROVED
DATE
10/07/2009

FORMAT
A2

CAUTION: MANUAL CHANGES ON PRODUCTION NOT PERMITTED

ATTENTION

THIS DRAWING IS ONLY INDICATIVE.
ITS AIM IS TO FACILITATE THE FITTING.

THE MANUFACTURER RESERVES THE RIGHT
TO CHANGE PARTS TO IMPROVE
THE PRODUCT WITHOUT NOTICE.

THIS STRUCTURE IS SUITABLE
FOR HOMOLOGATED SECURITY
BELTS N° E20407137

- 00199
- 00300
- 00330
- 00331
- 00400
- 00073
- 00081
- 00147

SELF-LOCKING NUT
M8 DIN 985 Zn

SCREW M8x12
UNI 7380 Zn BLACK

SCREW M12x110
UNI 5737 Zn

WASHER M12
UNI 6592 Zn

- 00189 h=85
- 00185 h=100
- 00303 h=125
- 00184 h=130
- 00188 h=136
- 00183 h=154
- 00182 h=200
- 00181 h=230
- 00180 h=236
- 00179 h=250

SCREW M8x60
UNI 5739 Zn

WASHER M8x24
UNI 6593 Zn

SELF-LOCKING NUT
M8 DIN 985 Zn

WASHER M14
UNI 6592 Zn

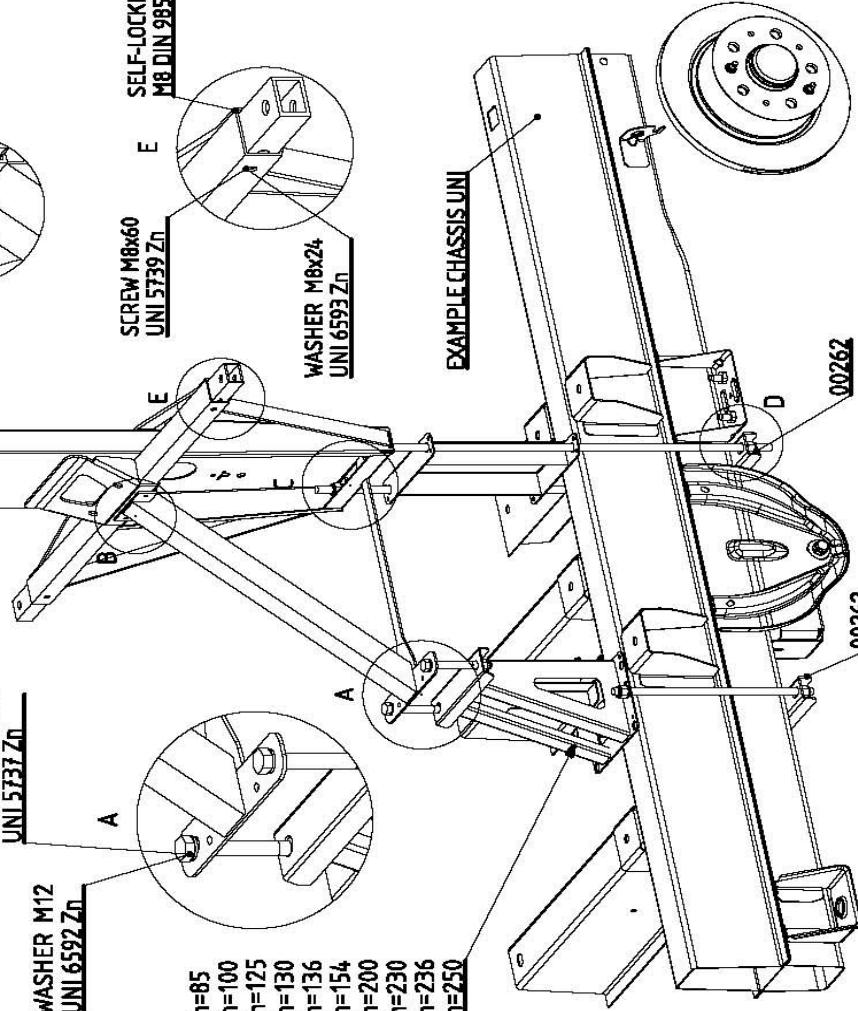
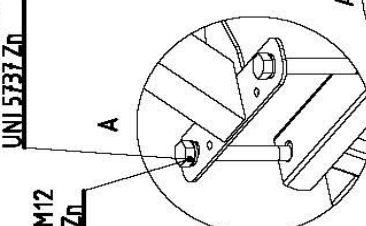
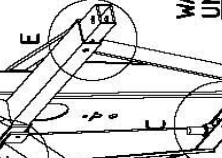
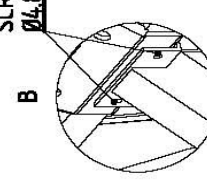
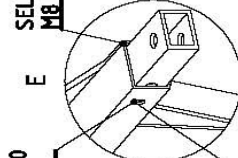
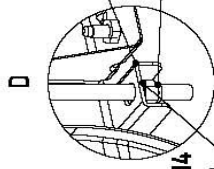
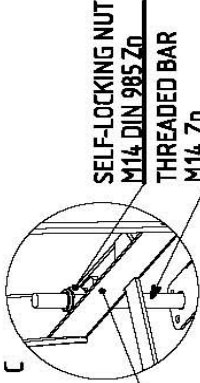
HEXAGONAL
SELF-TAPPING
SCREW WITH FLANGE
Ø4.8x19 UNI 8117 Zn

WASHER M14
UNI 6592 Zn

SELF-LOCKING NUT
M14 DIN 985 Zn

SELF-LOCKING NUT
M14 DIN 985 Zn

THREADED BAR
M14 Zn



EXAMPLE CHASSIS UNI

| DESCRIPTION | Q.TY |
|--|------|
| SCREW M8x12 UNI 7380 Zn BLACK | 4 |
| SELF-LOCKING NUT M8 DIN 985 Zn | 6 |
| WASHER M8x24 UNI 6593 Zn | 4 |
| SCREW M8x60 UNI 5739 Zn | 2 |
| SCREW M12x110 UNI 5737 Zn | 2 |
| WASHER M14 UNI 6592 Zn | 12 |
| SELF-LOCKING NUT M14 DIN 985 Zn | 10 |
| THREADED BAR M14x685 Zn | 2 |
| THREADED BAR M14x335 Zn | 2 |
| HEXAGONAL SELF-TAPPING SCREW WITH FLANGE Ø4.8x19 UNI 8117 Zn | 2 |

| REV. | DESCRIPTION | DONE | VERIFIED | DATE |
|-------|--|------|----------|------|
| 0.00g | UNI EN 22846-1 TOLERANCE EXCEPT FROM WHERE INDICATED, LANE SMOOTH <input type="checkbox"/> MEDIUM <input type="checkbox"/> ROUGH <input checked="" type="checkbox"/> VERY ROUGH <input type="checkbox"/> | | | |
| | SUPERFICIAL CHEMICAL TREATMENT | | | |
| | PRINTING SH. | | | |

CTA S.r.l.

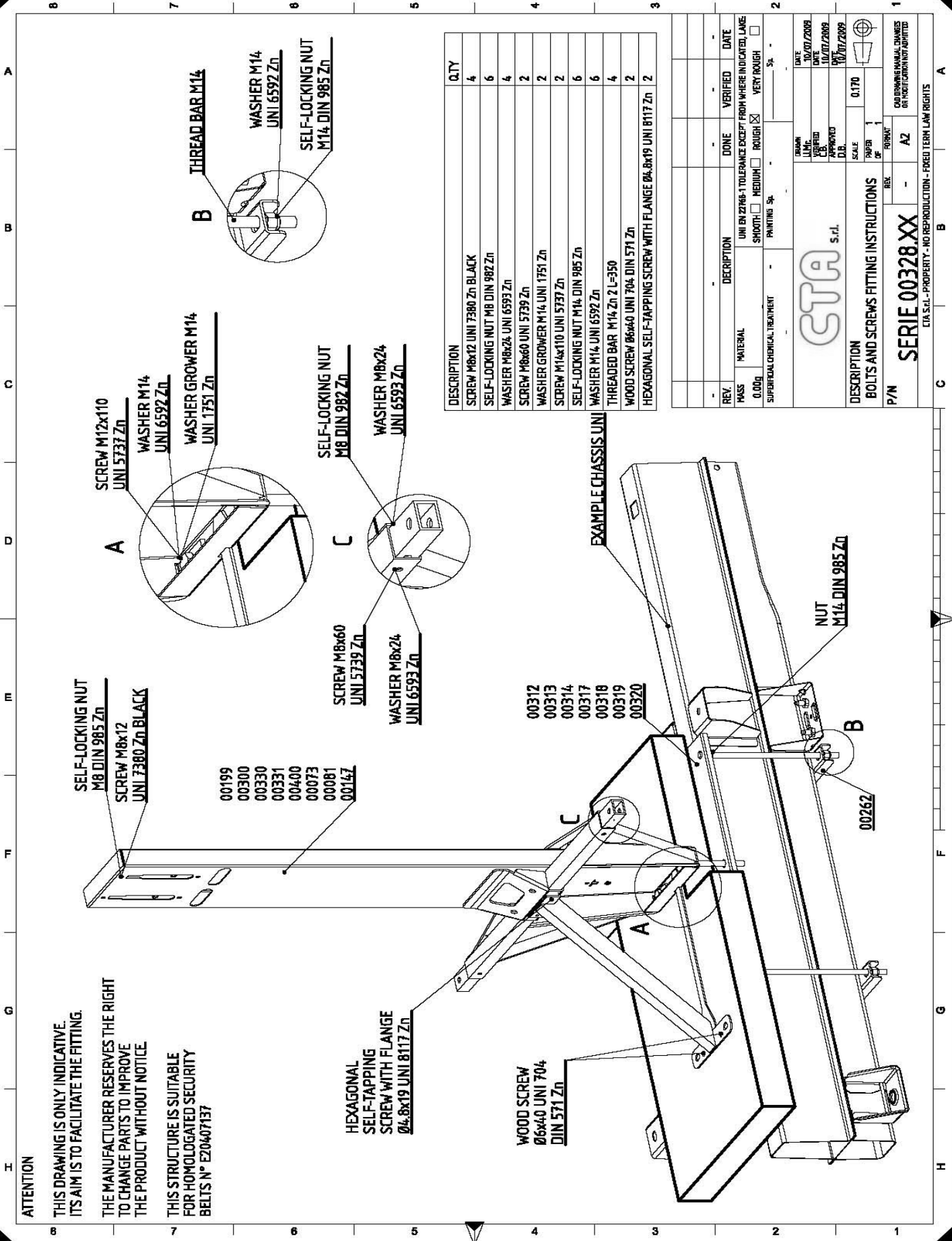
DATE: 02/07/2009
 DRAWN: U.M.
 CHECKED: C.B.
 APPROVED: D.B.
 DATE: 03/01/2009
 DATE: 02/07/2009

SCALE: 1:5
 PAPER: A4
 FORMAT: A2

DESCRIPTION: BOLTS AND SCREWS FITTING INSTRUCTIONS
 P/N: 00326.XX

OUTDRIVING MANUAL CHANGES OR MODIFICATIONS NOT ADMITTED

CTA S.r.l. - PROPERTY - NO REPRODUCTION - FORED TERM LAW RIGHTS



ATTENTION

THIS DRAWING IS ONLY INDICATIVE.
ITS AIM IS TO FACILITATE THE FITTING.

THE MANUFACTURER RESERVES THE RIGHT
TO CHANGE PARTS TO IMPROVE
THE PRODUCT WITHOUT NOTICE.

THIS STRUCTURE IS SUITABLE
FOR HOMOLOGATED SECURITY
BELTS N° E20407137

| DESCRIPTION | Q.TY |
|--|------|
| SCREW M8x12 UNI 7380 Zn BLACK | 4 |
| SELF-LOCKING NUT M8 DIN 982 Zn | 6 |
| WASHER M8x24 UNI 6593 Zn | 4 |
| SCREW M8x60 UNI 5739 Zn | 2 |
| WASHER GROWER M14 UNI 1751 Zn | 2 |
| SCREW M14x110 UNI 5737 Zn | 2 |
| SELF-LOCKING NUT M14 DIN 985 Zn | 6 |
| WASHER M14 UNI 6592 Zn | 6 |
| THREADED BAR M14 Zn 2 L=350 | 4 |
| WOOD SCREW Ø6x40 UNI 704 DIN 571 Zn | 2 |
| HEXAGONAL SELF-TAPPING SCREW WITH FLANGE Ø4.8x19 UNI 8117 Zn | 2 |

| REV. | DESCRIPTION | DONE | VERIFIED | DATE |
|-------|---|------|----------|------|
| 0.00g | UNI EN 2286-1 TOLERANCE EXCEPT FROM WHERE INDICATED LAKE | | | |
| | SMOOTH <input type="checkbox"/> MEDIUM <input type="checkbox"/> VERY ROUGH <input type="checkbox"/> | | | |
| | SUPERFICIAL CHEMICAL TREATMENT | | | |
| | PAINTING Sp. _____ | | | |

| | |
|----------|------------|
| DESIGN | DATE |
| UNI | 10/07/2008 |
| VERIFIED | DATE |
| UNI | 10/07/2009 |
| APPROVED | DATE |
| UNI | 10/07/2009 |
| D.D. | SCALE |
| | 0.170 |
| PAPER | 1 |
| OF | |
| RISKY | |

| | |
|---------------------------------------|------|
| DESCRIPTION | REV. |
| BOLTS AND SCREWS FITTING INSTRUCTIONS | |
| P/N | AZ |
| SERIE 00328 XX | |

CTA s.r.l.

OUTDRIVING MANUAL DAMAGES OR MODIFICATIONS ADMITTED

EXAMPLE CHASSIS UNI

SELF-LOCKING NUT
M8 DIN 985 Zn

SCREW M8x12
UNI 7380 Zn BLACK

00199
00300
00330
00331
00400
00073
00081
00147

SCREW M8x60
UNI 5739 Zn

WASHER M8x24
UNI 6593 Zn

SELF-LOCKING NUT
M8 DIN 982 Zn

WASHER M8x24
UNI 6593 Zn

SCREW M12x110
UNI 5737 Zn

WASHER M14
UNI 6592 Zn

WASHER GROWER M14
UNI 1751 Zn

WASHER M14
UNI 6592 Zn

SELF-LOCKING NUT
M14 DIN 985 Zn

WOOD SCREW
Ø6x40 UNI 704
DIN 571 Zn

HEXAGONAL
SELF-TAPPING
SCREW WITH FLANGE
Ø4.8x19 UNI 8117 Zn

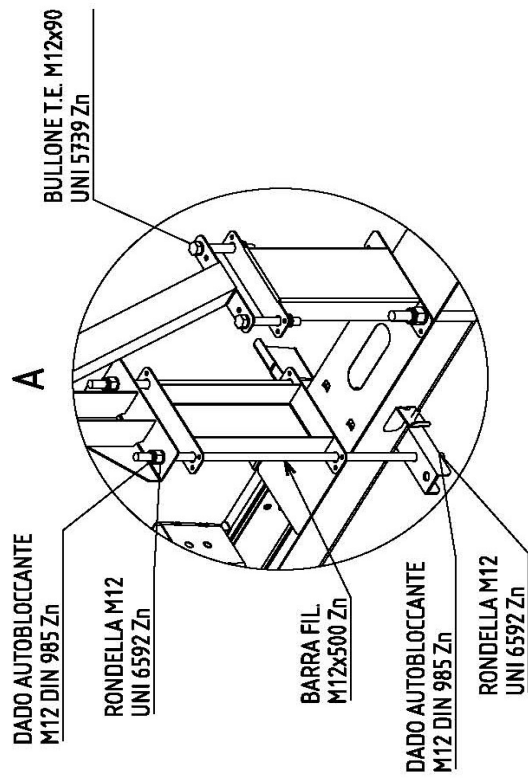
NUT
M14 DIN 985 Zn

00262

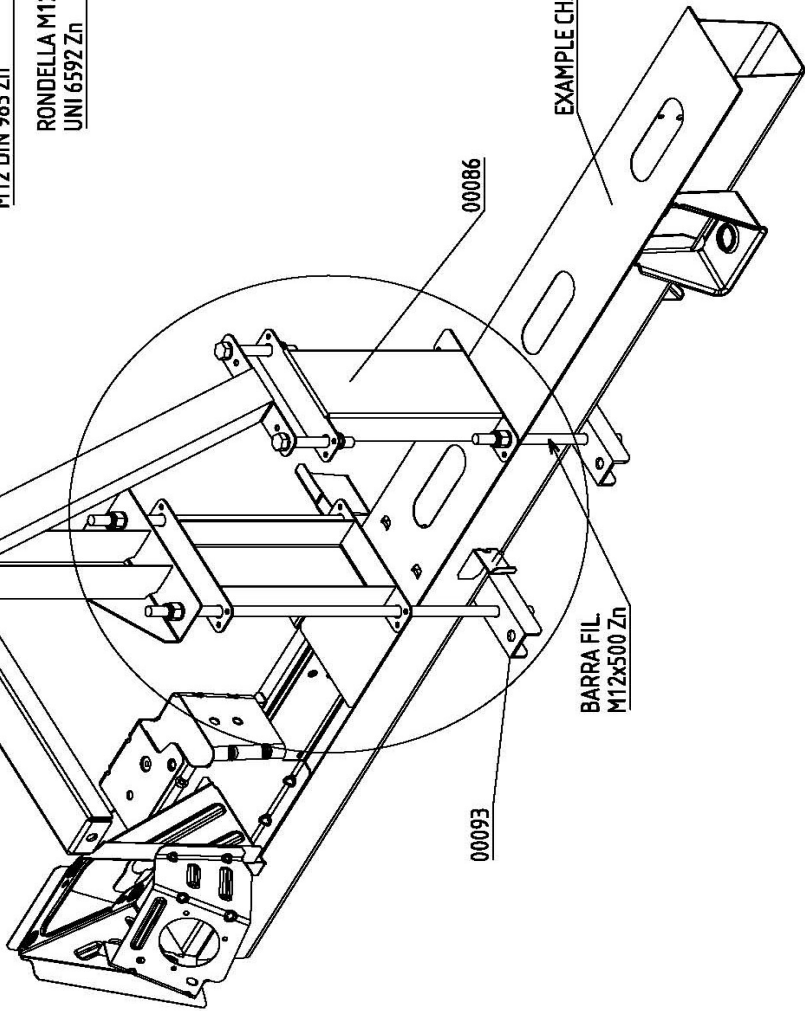
ATTENZIONE
QUESTO DISEGNO E' SOLO INDICATIVO,
AL FINE DI FACILITARE IL MONTAGGIO.

IL COSTRUTTORE SI RISERVA IL DIRITTO DI
APPORTARE VARIANTI RITENUTE MIGLIORATIVE
SENZA ALCUN PREAVVISO.

LA PRESENTE STRUTTURA E' PREDISPOSTA PER
LE CINTURE OMOLOGATE COD. E20403070



VITE AUTOFORANTE
TEST ESG. C/BORDINO
Ø4.8x19 UNI 8117 Zn



COMPONENTI FORNITI NEL KIT PER VEICOLO

| DESCRIZIONE | Q.TA' | NOTE |
|--|-------|------|
| BARRA FIL M12xMAX 1000 Zn | 2 | - |
| BULLONETE M12x90 UNI 5739 Zn | 2 | - |
| BARRA FIL M12xMAX 350 Zn | 2 | - |
| RONDELLA M12 UNI 6592 Zn | 10 | - |
| DADO AUTOBLOCCANTE M12 DIN 985 Zn | 10 | - |
| VITE AUTOFORANTE TEST ESG. C/BORDINO Ø4.8x19 UNI 8117 Zn | 2 | - |
| - | - | - |
| - | - | - |

| REV. | MATERIALE | DESCRIZIONE | ESEGUITO | VERIFICATO | DATA |
|--|-----------|---|----------|------------|------|
| - | - | TOLLERANZE UNI 2286-1 ECCETO DOVE INDICATO - TIPO: FINE <input type="checkbox"/> MEDIA <input type="checkbox"/> GROSSOLANA <input type="checkbox"/> | - | - | - |
| - | - | TATTAMENTO CH.MED.SUPERIORE Sp. - VERNICATURA Sp. - | - | - | - |
| STA | | | | | |
| DESCRIZIONE KIT VITERIA / ISTRUZIONI DI FISS. STRUTT. CM DOPIO PAV. SPECIAL | | | | | |
| P/N | REV. | FORNITO | 0 | - | - |
| 00333 | - | - | - | - | - |
| PROPRIETA' C.T.A.S.I. - RIPRODUZIONE VIETATA - DIRITTI TUTELATI A TERMINE DI LEGGE | | | | | |

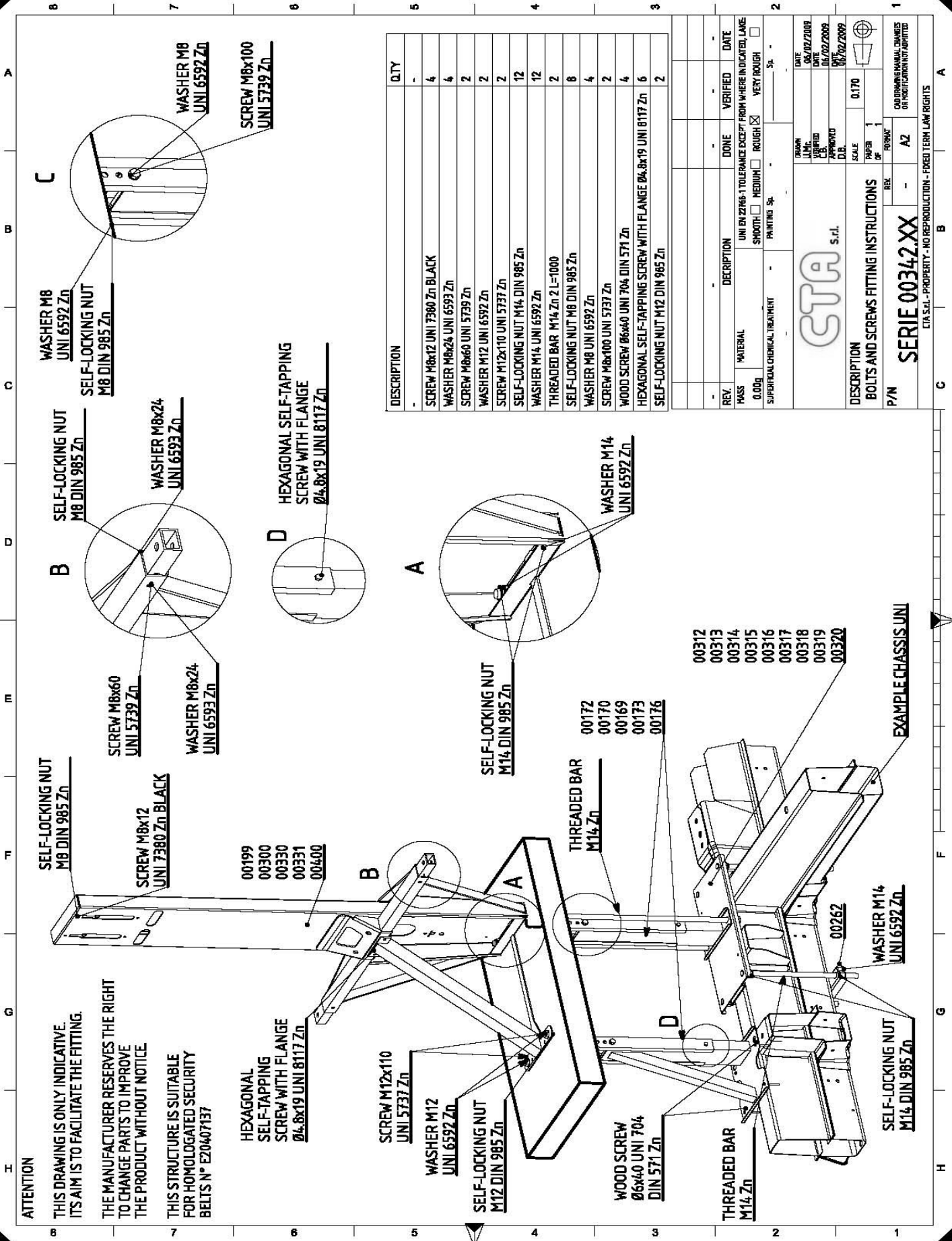
STA

DESCRIZIONE KIT VITERIA / ISTRUZIONI DI FISS. STRUTT. CM DOPIO PAV. SPECIAL

P/N REV. FORNITO

00333 0 -

PROPRIETA' C.T.A.S.I. - RIPRODUZIONE VIETATA - DIRITTI TUTELATI A TERMINE DI LEGGE



| DESCRIPTION | QTY |
|--|-----|
| SCREW M8x12 UNI 7380 Zn BLACK | 4 |
| WASHER M8x24 UNI 6593 Zn | 4 |
| SCREW M8x60 UNI 5739 Zn | 2 |
| WASHER M12 UNI 6592 Zn | 2 |
| SCREW M12x110 UNI 5737 Zn | 2 |
| SELF-LOCKING NUT M14 DIN 985 Zn | 12 |
| WASHER M14 UNI 6592 Zn | 12 |
| THREADED BAR M14 Zn 2 L=1000 | 2 |
| SELF-LOCKING NUT M8 DIN 985 Zn | 8 |
| WASHER M8 UNI 6592 Zn | 4 |
| SCREW M8x100 UNI 5737 Zn | 2 |
| WOOD SCREW Ø6x40 UNI 704 DIN 571 Zn | 4 |
| HEXAGONAL SELF-TAPPING SCREW WITH FLANGE Ø4.8x19 UNI 8117 Zn | 6 |
| SELF-LOCKING NUT M12 DIN 985 Zn | 2 |

| REV. | DESCRIPTION | DONE | VERIFIED | DATE |
|---|---|--------------------------|--------------------------|------|
| 0.00g <td>UNI EN 2786-1 TOLERANCE EXCEPT FROM WHERE INDICATED LAKE</td> <td><input type="checkbox"/></td> <td><input type="checkbox"/></td> <td></td> | UNI EN 2786-1 TOLERANCE EXCEPT FROM WHERE INDICATED LAKE | <input type="checkbox"/> | <input type="checkbox"/> | |
| | SMOOTH <input type="checkbox"/> MEDIUM <input type="checkbox"/> VERY ROUGH <input type="checkbox"/> | | | |
| | SUPERFICIAL CHEMICAL TREATMENT | | | |
| | PAINTING S ₁ | | | |

CTA S.r.l.

DATE: 06/02/2008
 DRAWN: []
 CHECKED: []
 APPROVED: []
 D.D.: []
 SCALE: 0.170
 PAPER: []
 OF: []
 FORMAT: []

DESCRIPTION: BOLTS AND SCREWS FITTING INSTRUCTIONS

P/N: SERIE 00342.XX

REK: - AZ

CAUTION: MANUAL CHANGES OR MODIFICATIONS NOT ADMITTED

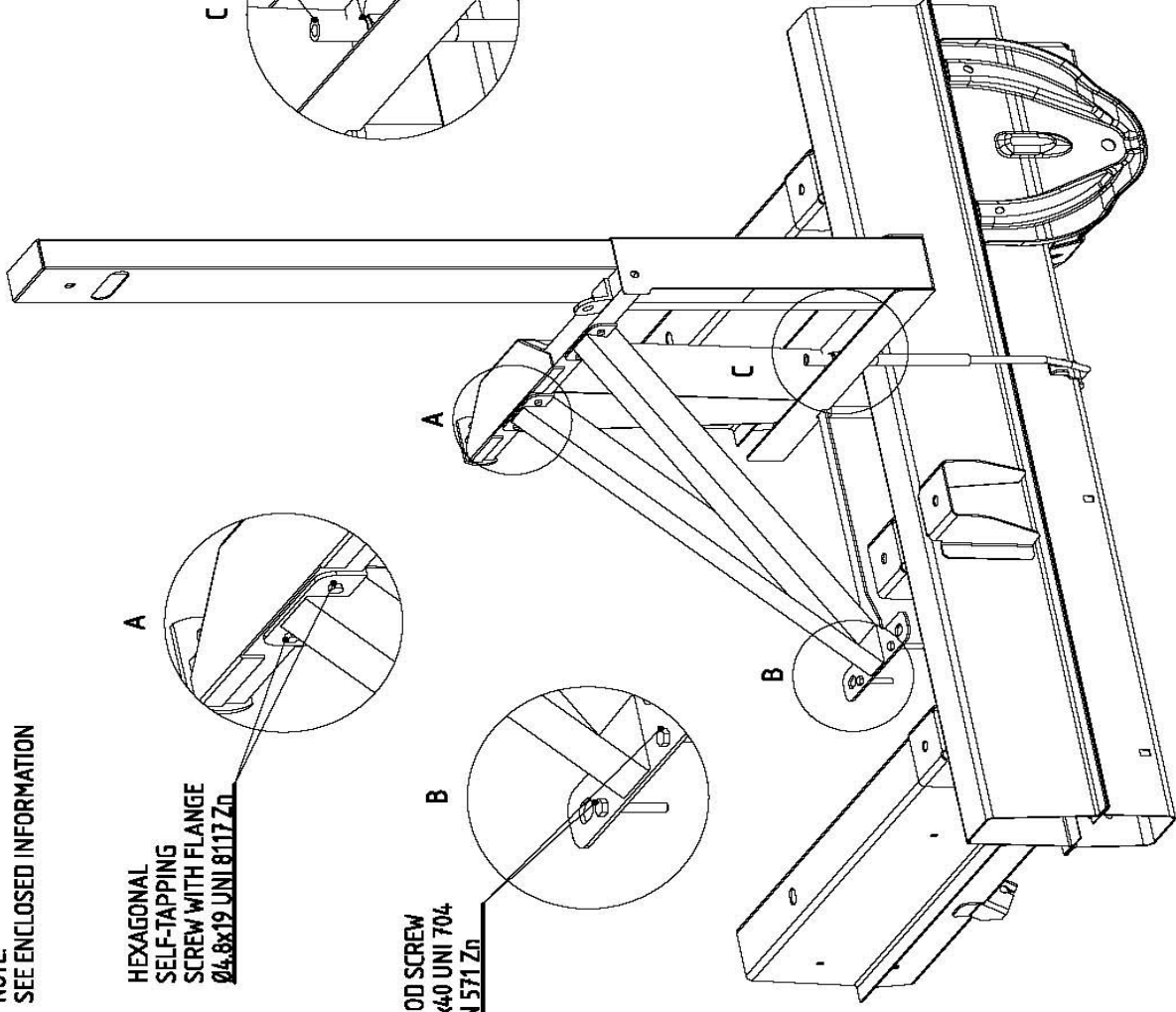
CTA S.r.l. - PROPERTY - NO REPRODUCTION - FIXED TERM LAW RIGHTS

NOTE:
SEE ENCLOSED INFORMATION

HEXAGONAL
SELF-TAPPING
SCREW WITH FLANGE
Ø4.8x19 UNI 8117 Zn

WOOD SCREW
Ø6x40 UNI 704
DIN 571 Zn

STEEL/INOX CABLE
SELF-LOCKING NUT
M12 DIN 985 Zn
WASHER M12
UNI 6592 Zn



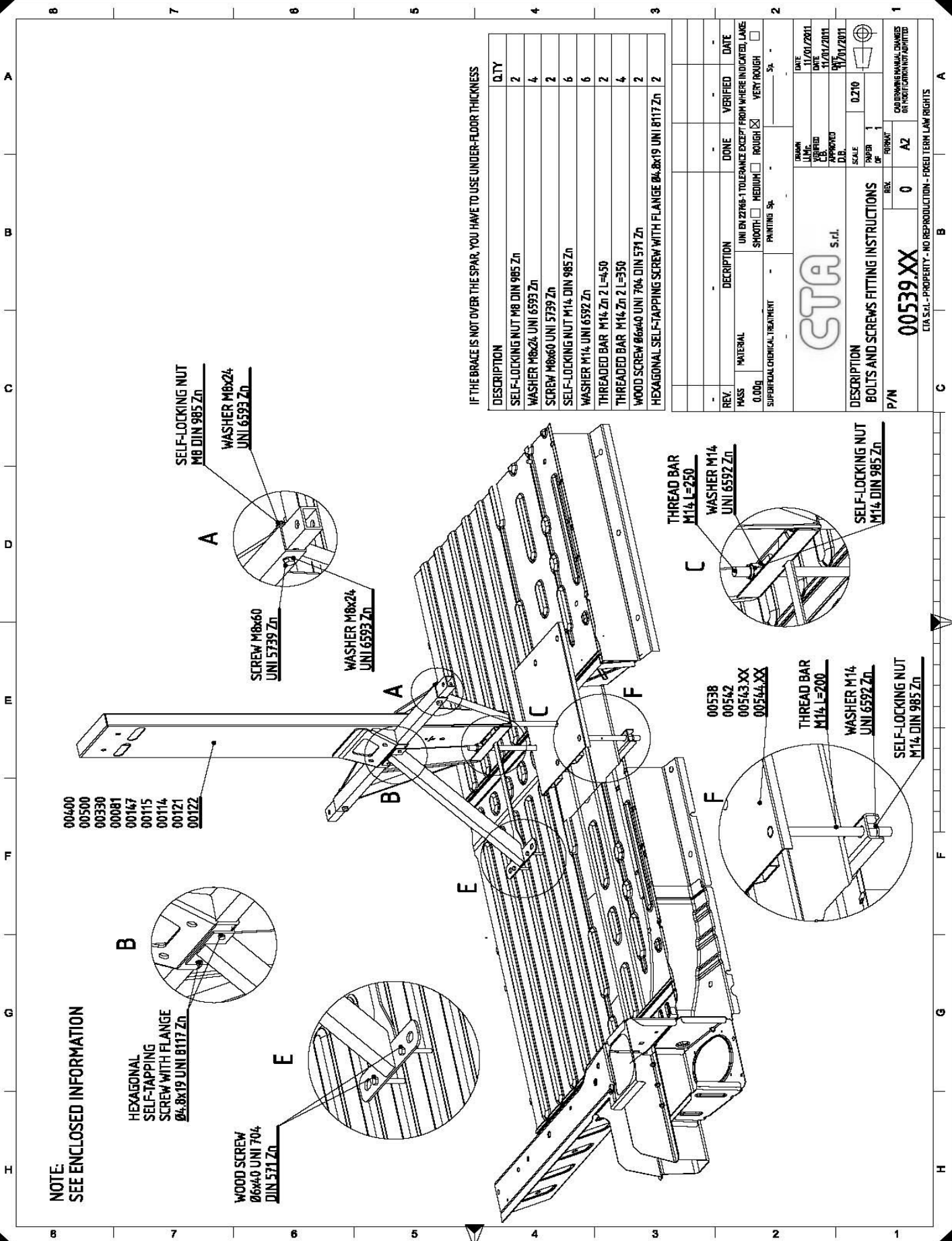
| DESCRIPTION | Q.TY |
|--|------|
| WASHER M12 UNI 6592 Zn | 2 |
| SELF-LOCKING NUT M12 DIN 985 Zn | 2 |
| STEEL/INOX CABLE | 1 |
| HEXAGONAL SELF-TAPPING SCREW WITH FLANGE Ø4.8x19 UNI 8117 Zn | 4 |
| WOOD SCREW Ø6x40 UNI 704 DIN 571 Zn | 2 |

| REV. | DESCRIPTION | DONE | VERIFIED | DATE |
|--------------------------------|--|-----------------------------------|---------------------------------|---|
| 0.00g | UNI EN 2768-1 TOLERANCE EXCEPT FROM WHERE INDICATED LAKE | | | |
| SUPERFICIAL CHEMICAL TREATMENT | | SMOOTH <input type="checkbox"/> | MEDIUM <input type="checkbox"/> | ROUGH <input checked="" type="checkbox"/> |
| | | PAINTING <input type="checkbox"/> | | |

| | |
|------------|------------|
| CTA S.r.l. | |
| DATE | 10/02/2011 |
| DATE | 06/02/2011 |
| DATE | 10/02/2011 |
| SCALE | 1:1 |
| PAPER | |
| FORMAT | |

| | |
|---|---------------------------------------|
| DESCRIPTION | BOLTS AND SCREWS FITTING INSTRUCTIONS |
| P/N | 00507XX |
| REV. | 0 |
| AZ | |
| CAUTION: MANUAL CHANGES OR MODIFICATIONS NOT ADMITTED | |

CTA S.r.l. - PROPERTY - NO REPRODUCTION - FIXED TERM LAW RIGHTS



NOTE:
SEE ENCLOSED INFORMATION

- 00400
- 00500
- 00330
- 00081
- 00167
- 00115
- 00114
- 00121
- 00122

HEXAGONAL
SELF-TAPPING
SCREW WITH FLANGE
Ø4.8x19 UNI 8117 Zn

WOOD SCREW
Ø6x40 UNI 704
DIN 571 Zn

SELF-LOCKING NUT
M8 DIN 985 Zn

WASHER M8x24
UNI 6593 Zn

SCREW M8x60
UNI 5739 Zn

WASHER M8x24
UNI 6593 Zn

THREAD BAR
M14 L=250

WASHER M14
UNI 6592 Zn

THREAD BAR
M14 L=200

WASHER M14
UNI 6592 Zn

SELF-LOCKING NUT
M14 DIN 985 Zn

SELF-LOCKING NUT
M14 DIN 985 Zn

IF THE BRACE IS NOT OVER THE SPAR, YOU HAVE TO USE UNDER-FLOOR THICKNESS



DESCRIPTION
BOLTS AND SCREWS FITTING INSTRUCTIONS

P/N
00539.XX

REV. 0

AZ

DATE 11/01/2011

DATE 11/01/2011

DATE 11/01/2011

SCALE 0.2/10

PAPER 1

FORNIT

FORNIT

CONFORME MANUAL DIMENSIONI
OR MODIFICAZIONI PERMISTE

DATE 11/01/2011

DATE 11/01/2011

DATE 11/01/2011

SCALE 0.2/10

PAPER 1

FORNIT

FORNIT

CONFORME MANUAL DIMENSIONI
OR MODIFICAZIONI PERMISTE

DATE 11/01/2011

DATE 11/01/2011

DATE 11/01/2011

SCALE 0.2/10

PAPER 1

FORNIT

FORNIT

CONFORME MANUAL DIMENSIONI
OR MODIFICAZIONI PERMISTE

NOTE:
SEE ENCLOSED INFORMATION

SELF-LOCKING NUT
M8 DIN 985 Zn

SCREW M8x12
UNI 7380 Zn BLACK

HEXAGONAL
SELF-TAPPING
SCREW WITH FLANGE
Ø4.8x19 UNI 8117 Zn

- 00199
- 00300
- 00330
- 00331
- 00400
- 00081
- 00147

SCREW M8x60
UNI 5739 Zn

WASHER M8x24
UNI 6593 Zn

SELF-LOCKING NUT
M8 DIN 985 Zn

WASHER M8x24
UNI 6593 Zn

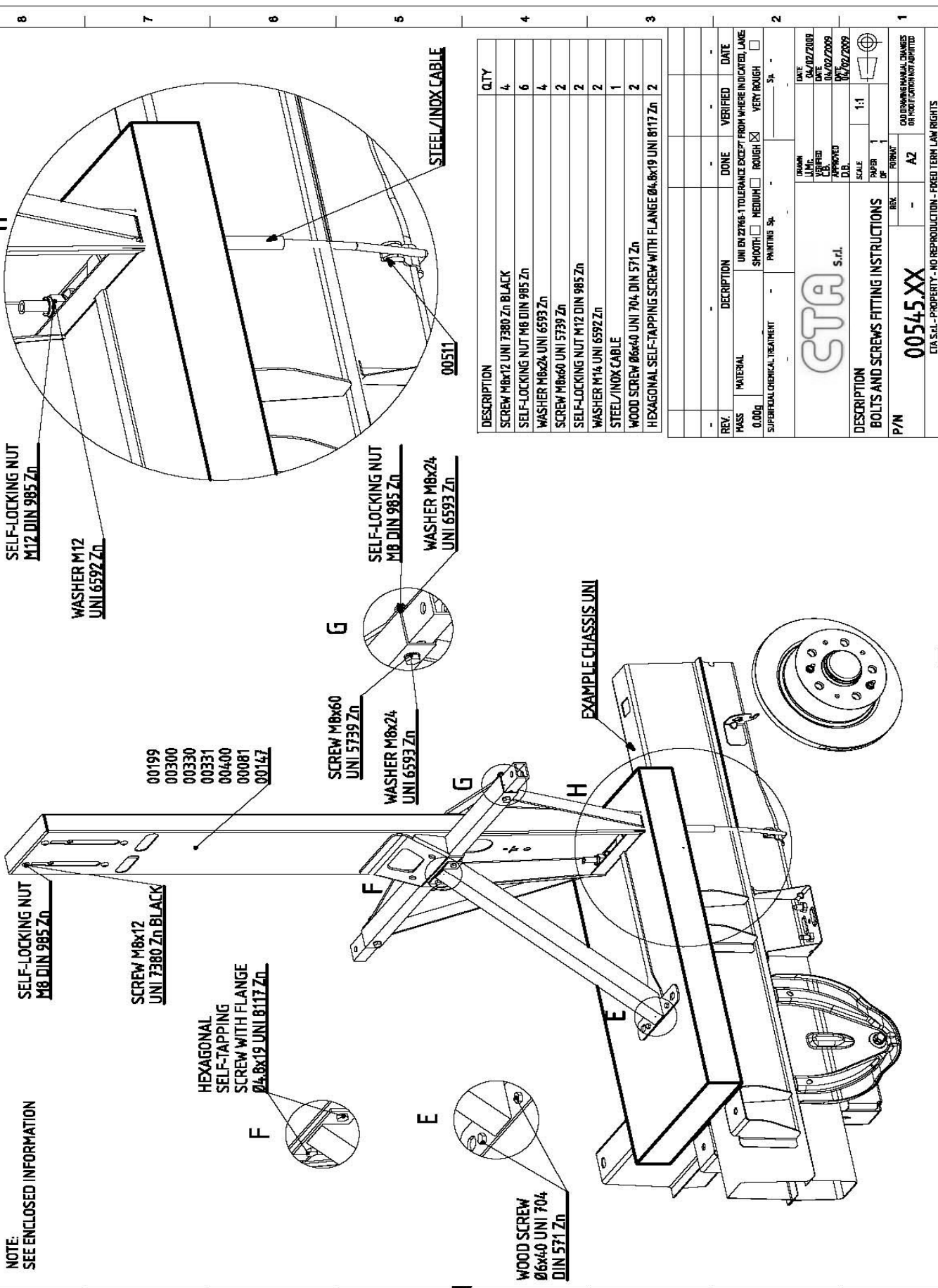
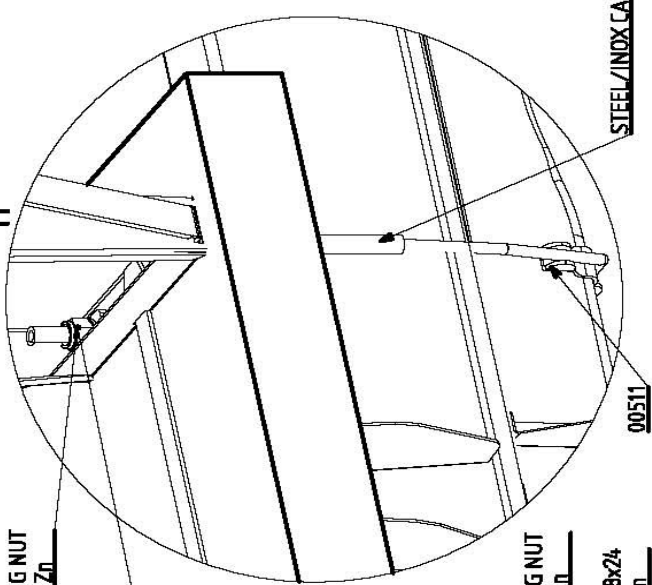
SELF-LOCKING NUT
M12 DIN 985 Zn

WASHER M12
UNI 6592 Zn

WOOD SCREW
Ø6x40 UNI 704
DIN 571 Zn

EXAMPLE CHASSIS UNI

STEEL/INOX CABLE



| DESCRIPTION | QTY |
|--|-----|
| SCREW M8x12 UNI 7380 Zn BLACK | 4 |
| SELF-LOCKING NUT M8 DIN 985 Zn | 6 |
| WASHER M8x24 UNI 6593 Zn | 4 |
| SCREW M8x60 UNI 5739 Zn | 2 |
| SELF-LOCKING NUT M12 DIN 985 Zn | 2 |
| WASHER M12 UNI 6592 Zn | 2 |
| STEEL/INOX CABLE | 1 |
| WOOD SCREW Ø6x40 UNI 704 DIN 571 Zn | 2 |
| HEXAGONAL SELF-TAPPING SCREW WITH FLANGE Ø4.8x19 UNI 8117 Zn | 2 |

| REV. | DESCRIPTION | DONE | VERIFIED | DATE |
|---|---|------|----------|------|
| 0.00g | UNI EN 22746-1 TOLERANCE EXCEPT FROM WHERE INDICATED, LAKE SMOOTH <input type="checkbox"/> MEDIUM <input type="checkbox"/> ROUGH <input checked="" type="checkbox"/> VERY ROUGH <input type="checkbox"/> | | | |
| SUPERFICIAL CHEMICAL TREATMENT PAINTING Sp. - - - - - Sp. - - - - - | | | | |

CTA S.r.l.

DATE: 04/02/2009
 DATE: 04/02/2009
 DATE: 04/02/2009

SCALE: 1:1
 PAPER: 1
 FORMAT: A2

DESCRIPTION: BOLTS AND SCREWS FITTING INSTRUCTIONS
 P/N: 00545 XX

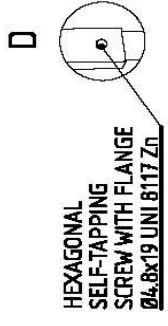
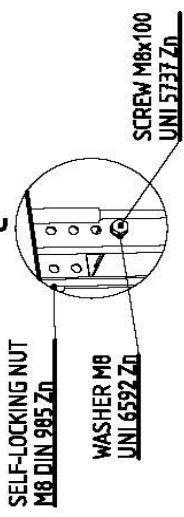
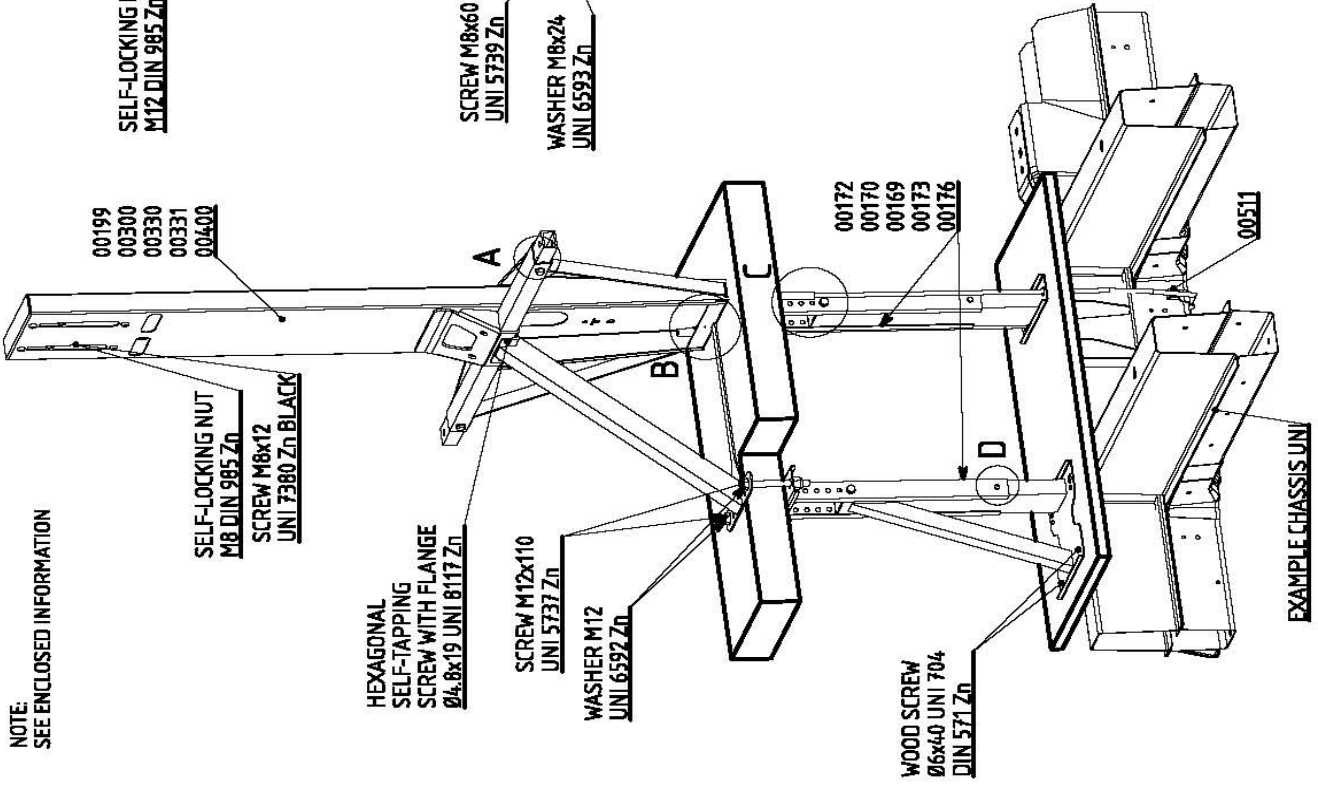
DATE: 04/02/2009
 DATE: 04/02/2009
 DATE: 04/02/2009

SCALE: 1:1
 PAPER: 1
 FORMAT: A2

CAUTION: READ MANUAL CHANGES OR MODIFICATIONS

CTA S.r.l. - PROPERTY - NO REPRODUCTION - FREEDOM LAW RIGHTS

NOTE:
SEE ENCLOSED INFORMATION



| DESCRIPTION | Q.TY |
|--|------|
| SCREW M8x12 UNI 7380 Zn BLACK | 4 |
| WASHER M8x24 UNI 6593 Zn | 4 |
| SCREW M8x60 UNI 5739 Zn | 2 |
| SCREW M12x110 UNI 5737 Zn | 2 |
| SELF-LOCKING NUT M12 DIN 985 Zn | 2 |
| WASHER M12 UNI 6592 Zn | 6 |
| STEEL/INOX CABLE | 1 |
| SELF-LOCKING NUT M8 DIN 985 Zn | 8 |
| WASHER M8 UNI 6592 Zn | 4 |
| SCREW M8x100 UNI 5737 Zn | 2 |
| WOOD SCREW Ø6x40 UNI 704 DIN 571 Zn | 4 |
| HEXAGONAL SELF-TAPPING SCREW WITH FLANGE Ø4.8x19 UNI 8117 Zn | 6 |
| SELF-LOCKING NUT M12 DIN 985 Zn | 2 |

| REV. | DESCRIPTION | DONE | VERIFIED | DATE |
|-------|---|--------------------------|--------------------------|------|
| 0.00g | UNI EN 2786-1 TOLERANCE EXCEPT FROM WHERE INDICATED LAKE | <input type="checkbox"/> | <input type="checkbox"/> | |
| | SMOOTH <input type="checkbox"/> MEDIUM <input type="checkbox"/> ROUGH <input checked="" type="checkbox"/> VERY ROUGH <input type="checkbox"/> | | | |
| | SUPERFICIAL CHEMICAL TREATMENT | | | |
| | PAINTING SH. | | | |

| | | | |
|----------|-------|------|------------|
| DESIGN | UNI | DATE | 07/02/2011 |
| VERIFIED | UNI | DATE | 07/02/2011 |
| APPROVED | UNI | DATE | 07/02/2011 |
| D.D. | UNI | DATE | 07/02/2011 |
| SCALE | 0.170 | | |
| PAPER | 1 | | |
| OF | | | |
| FORMAT | | | |

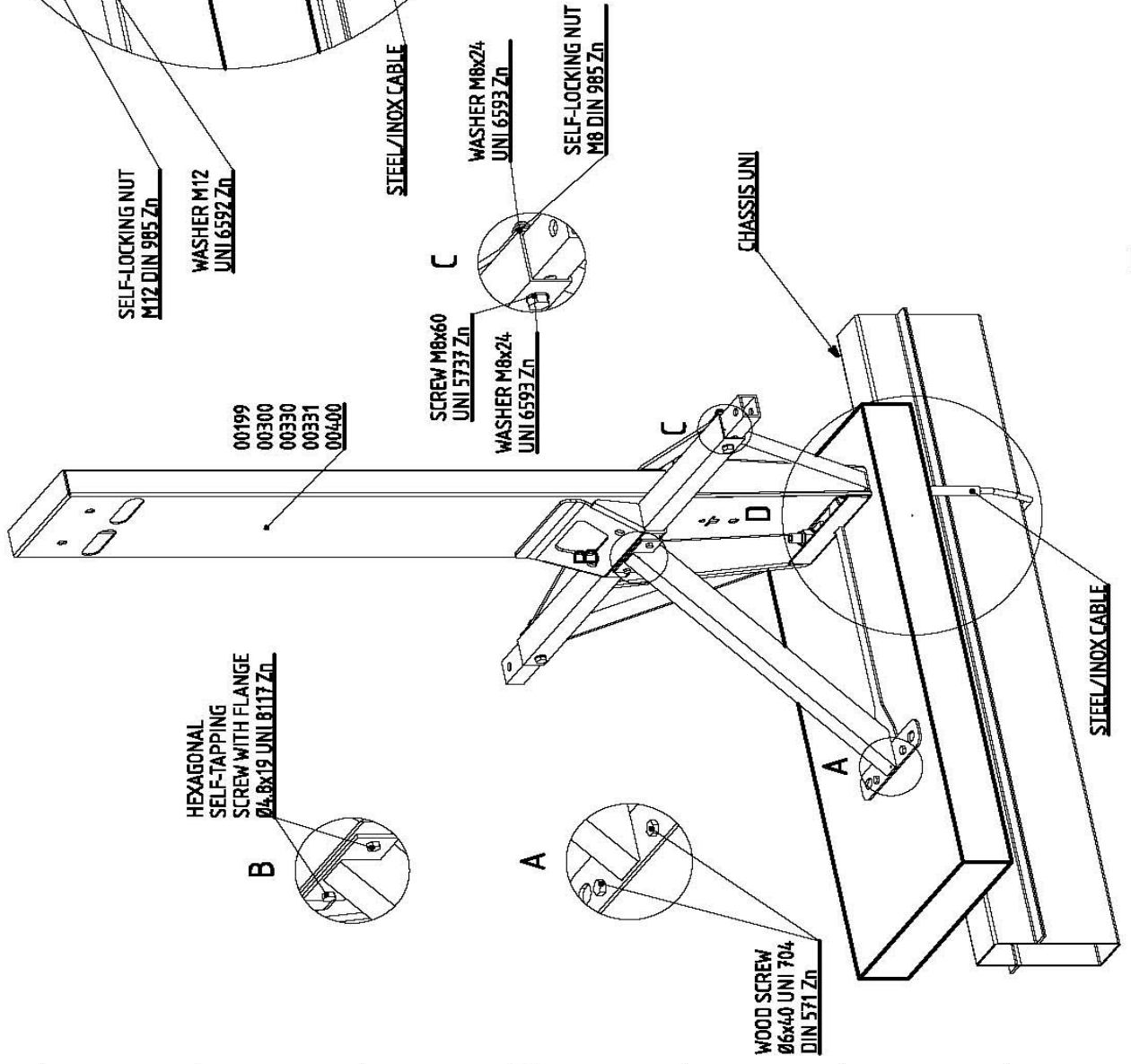
| | |
|-------------|---------------------------------------|
| DESCRIPTION | BOLTS AND SCREWS FITTING INSTRUCTIONS |
| P/N | SERIE 00546 XX |
| REV. | A2 |

CTA s.r.l.

COORDINATE MANUAL DIMENSIONS OR MODIFICATIONS ADMITTED

CIA S.r.l. - PROPERTY - NO REPRODUCTION - FREE TERM LAW RIGHTS

NOTE:
SEE ENCLOSED INFORMATION



| DESCRIPTION | QTY |
|--|-----|
| SELF-LOCKING NUT M8 DIN 985 Zn | 2 |
| WASHER M8x24 UNI 6593 Zn | 4 |
| SCREW M8x60 UNI 5737 Zn | 2 |
| SELF-LOCKING NUT M12 DIN 985 Zn | 2 |
| WASHER M12 UNI 6592 Zn | 2 |
| STEEL/INOX CABLE | 1 |
| WOOD SCREW Ø6x40 UNI 704 DIN 571 Zn | 2 |
| HEXAGONAL SELF-TAPPING SCREW WITH FLANGE Ø4.8x19 UNI 8117 Zn | 2 |

| REV. | DESCRIPTION | DONE | VERIFIED | DATE |
|------|-------------|------|----------|------|
| | | | | |

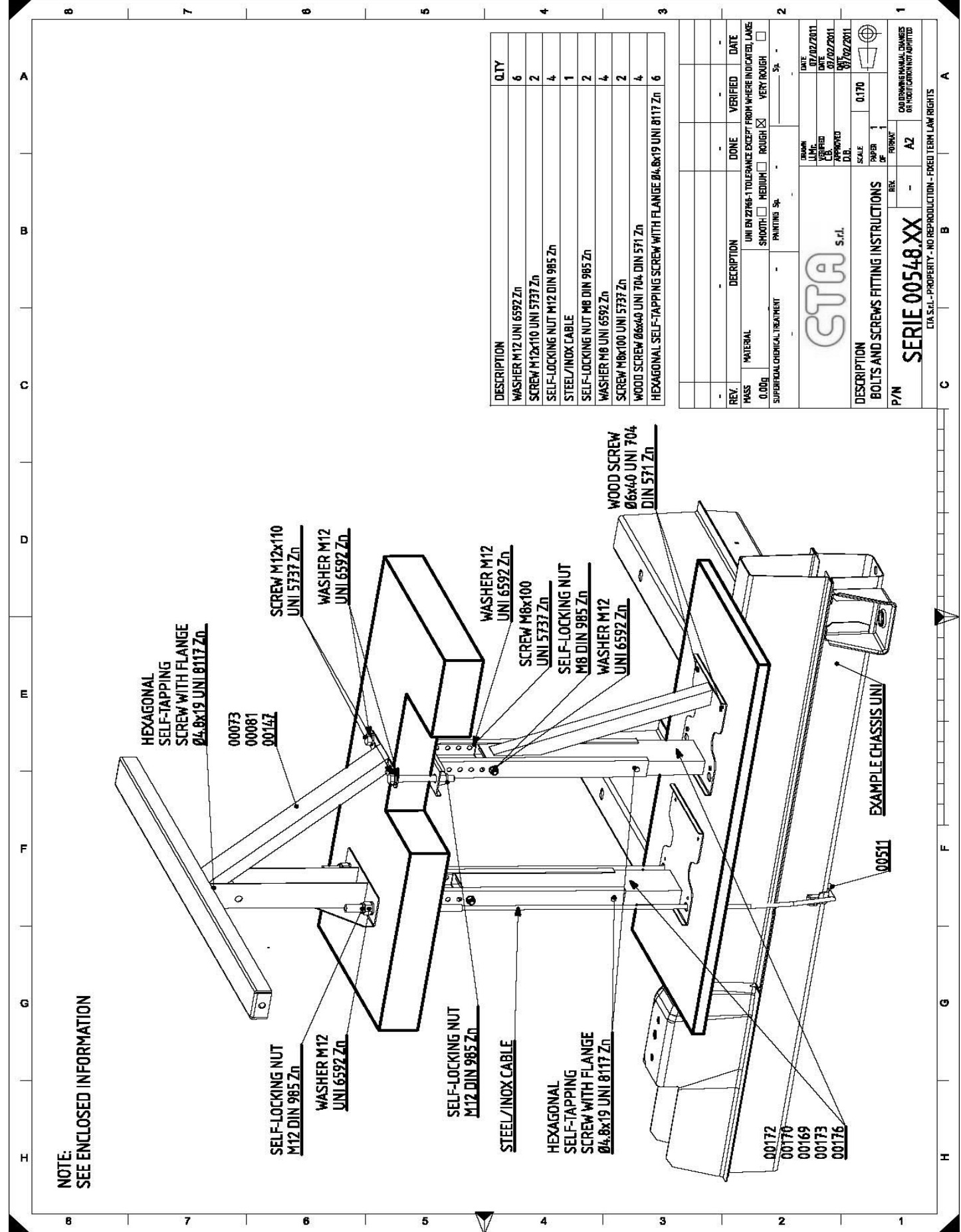
MASS MATERIAL UNI EN 22766-1 TOLERANCE EXCEPT FROM WHERE INDICATED LAKE
 0.00g SMOOTH MEDIUM ROUGH VERY ROUGH
 SURFICIAL CHEMICAL TREATMENT PAINTING Sp. _____ Sp. _____

DRAWN UNI 01/02/2011
 CHECKED UNI 01/02/2011
 APPROVED C.B. 01/02/2011
 D.D. 01/02/2011
 SCALE 1:1
 PAPER OF 1
 RIBBON 1

DESCRIPTION
 BOLTS AND SCREWS FITTING INSTRUCTIONS
 P/N 00547.XX
 REV. -
 AZ
 CAD DRAWING MANAGED BY CAD/PRODOTTO/PRODOTTO

CTA S.r.l.

CTA S.r.l. - PROPERTY - NO REPRODUCTION - FREE TERM LAW RIGHTS



NOTE:
SEE ENCLOSED INFORMATION

CTA S.r.l.

DESCRIPTION
BOLTS AND SCREWS FITTING INSTRUCTIONS

P/N **SERIE 00548 XX**

REV. -

SCALE 0.170

PAPER OF 1

PORTRAIT

DATE 07/02/2011
DATE 07/02/2011
DATE 07/02/2011

DRAMAN UNM.
VERIFIED CB.
APPROVED D.B.
07/02/2011

UNI EN 27868-1 TOLERANCE EXCEPT FROM WHERE INDICATED LAKE
SMOOTH MEDIUM ROUGH VERY ROUGH

SUPERFICIAL CHEMICAL TREATMENT PRINTING Sh.

DATE 07/02/2011
DATE 07/02/2011
DATE 07/02/2011

COORDINATE MANUAL DIMENSIONS OR MODIFIED DRAWING

REV. -

AZ

CIA S.p.A. - PROPERTY - NO REPRODUCTION - FREED TERM LAW RIGHTS

A

B

C

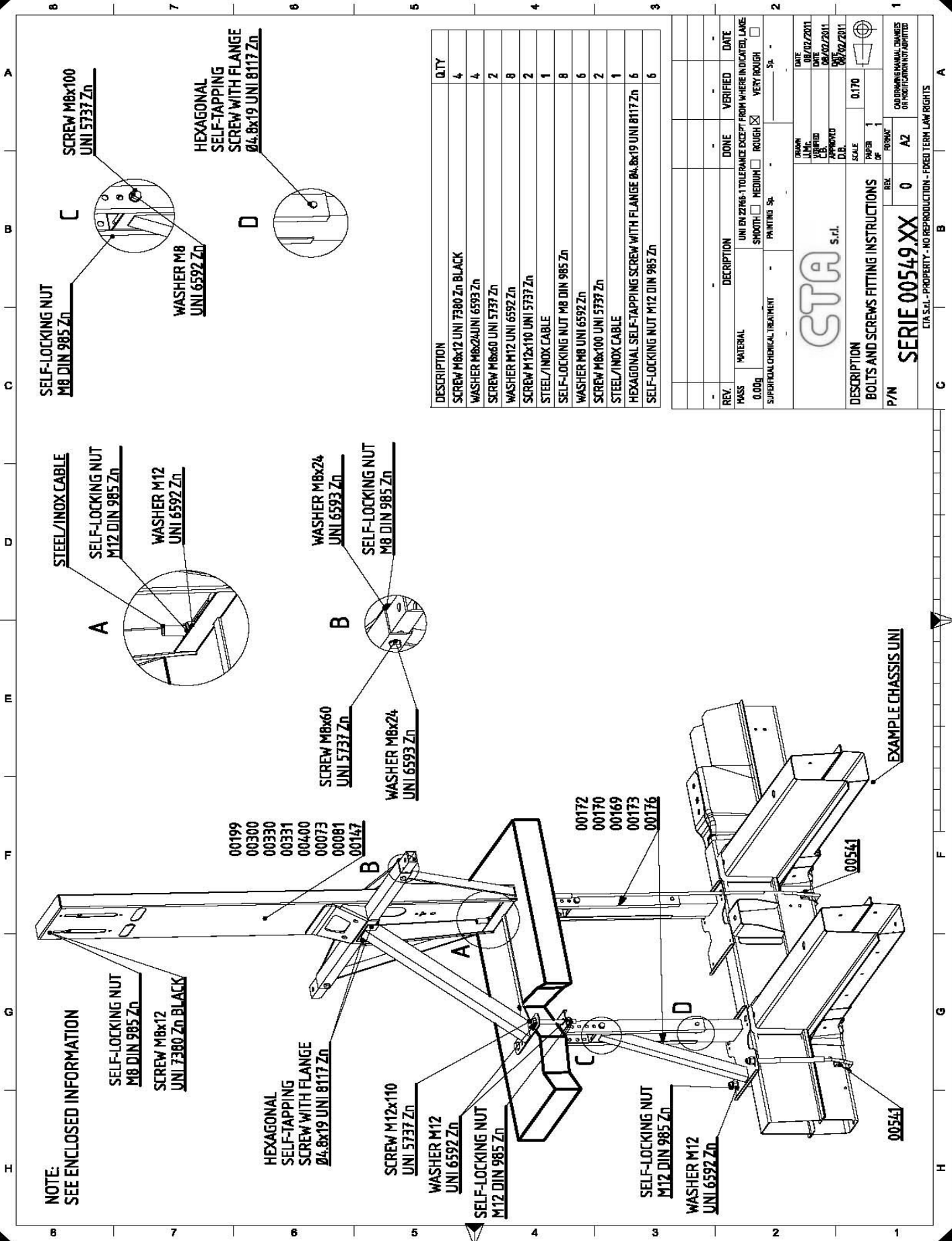
D

E

F

G

H



| DESCRIPTION | QTY |
|--|-----|
| SCREW M8x12 UNI 7380 Zn BLACK | 4 |
| WASHER M8x24 UNI 6593 Zn | 4 |
| SCREW M8x60 UNI 5737 Zn | 2 |
| WASHER M12 UNI 6592 Zn | 8 |
| SCREW M12x110 UNI 5737 Zn | 2 |
| STEEL/INOX CABLE | 1 |
| SELF-LOCKING NUT M8 DIN 985 Zn | 8 |
| WASHER M8 UNI 6592 Zn | 6 |
| SCREW M8x100 UNI 5737 Zn | 2 |
| STEEL/INOX CABLE | 1 |
| HEXAGONAL SELF-TAPPING SCREW WITH FLANGE Ø4.8x19 UNI 8117 Zn | 6 |
| SELF-LOCKING NUT M12 DIN 985 Zn | 6 |

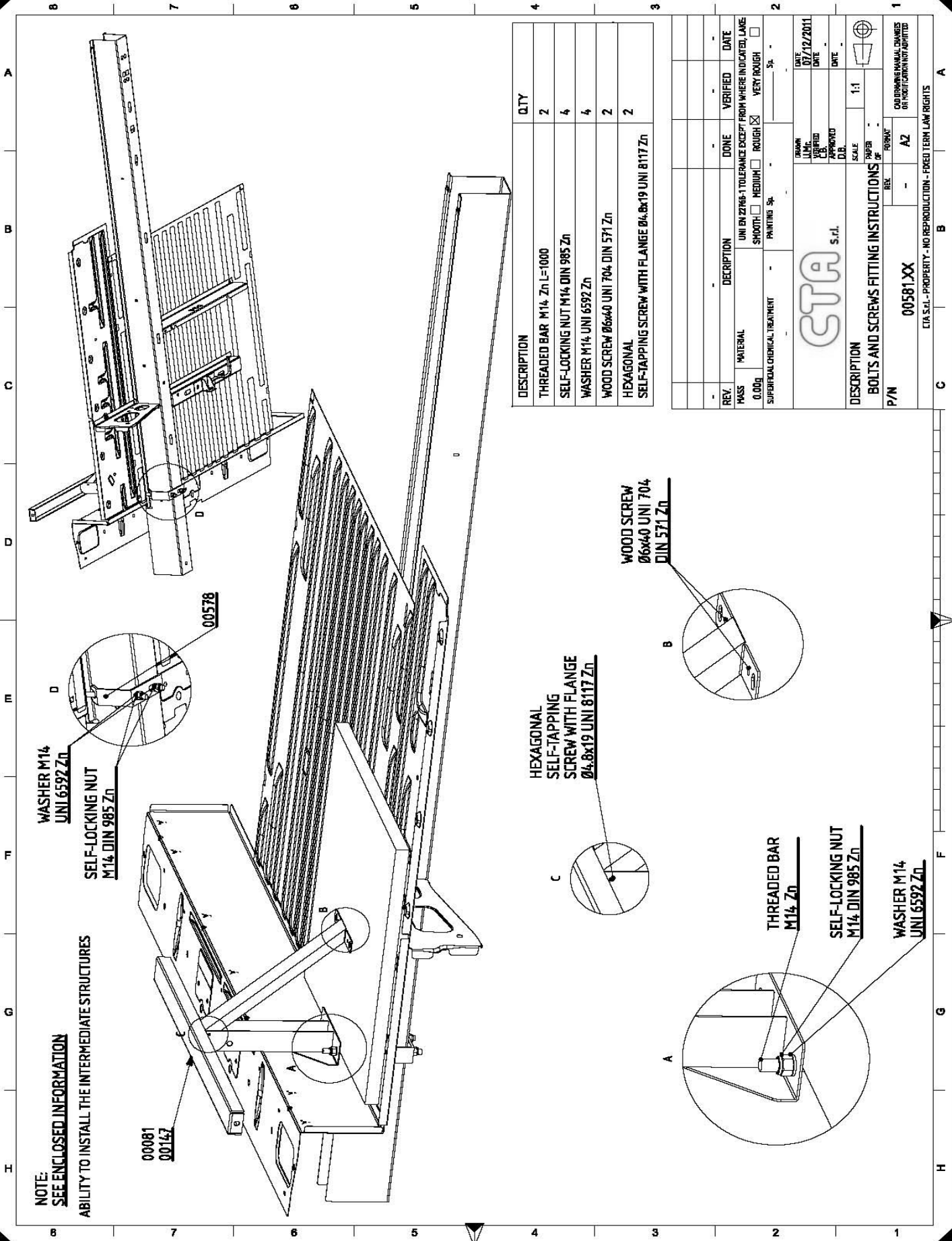
| REV. | MATERIAL | DESCRIPTION | DONE | VERIFIED | DATE |
|--------------------------------|--|---|------|----------|------|
| 0.00g | UNI EN 2768-1 TOLERANCE EXCEPT FROM WHERE INDICATED LAKE | SMOOTH <input type="checkbox"/> MEDIUM <input type="checkbox"/> VERY ROUGH <input type="checkbox"/> | | | |
| SUPERFICIAL CHEMICAL TREATMENT | | PAINTING 5% | | | |

DATE: 08/02/2011
 DRAWN: [Signature]
 CHECKED: [Signature]
 APPROVED: [Signature]
 D.D.: [Signature]
 SCALE: 0.170
 PAPER: 1
 FORMAT: A2

DESCRIPTION: BOLTS AND SCREWS FITTING INSTRUCTIONS
 P/N: SERIE 00549 XX 0
 CAUTION: MANUAL DAMAGES OR MODIFICATIONS NOT ADMITTED



CTA S.r.l. - PROPERTY - NO REPRODUCTION - FIXED TERM LAW RIGHTS



NOTE:
SEE ENCLOSED INFORMATION
 ABILITY TO INSTALL THE INTERMEDIATE STRUCTURES

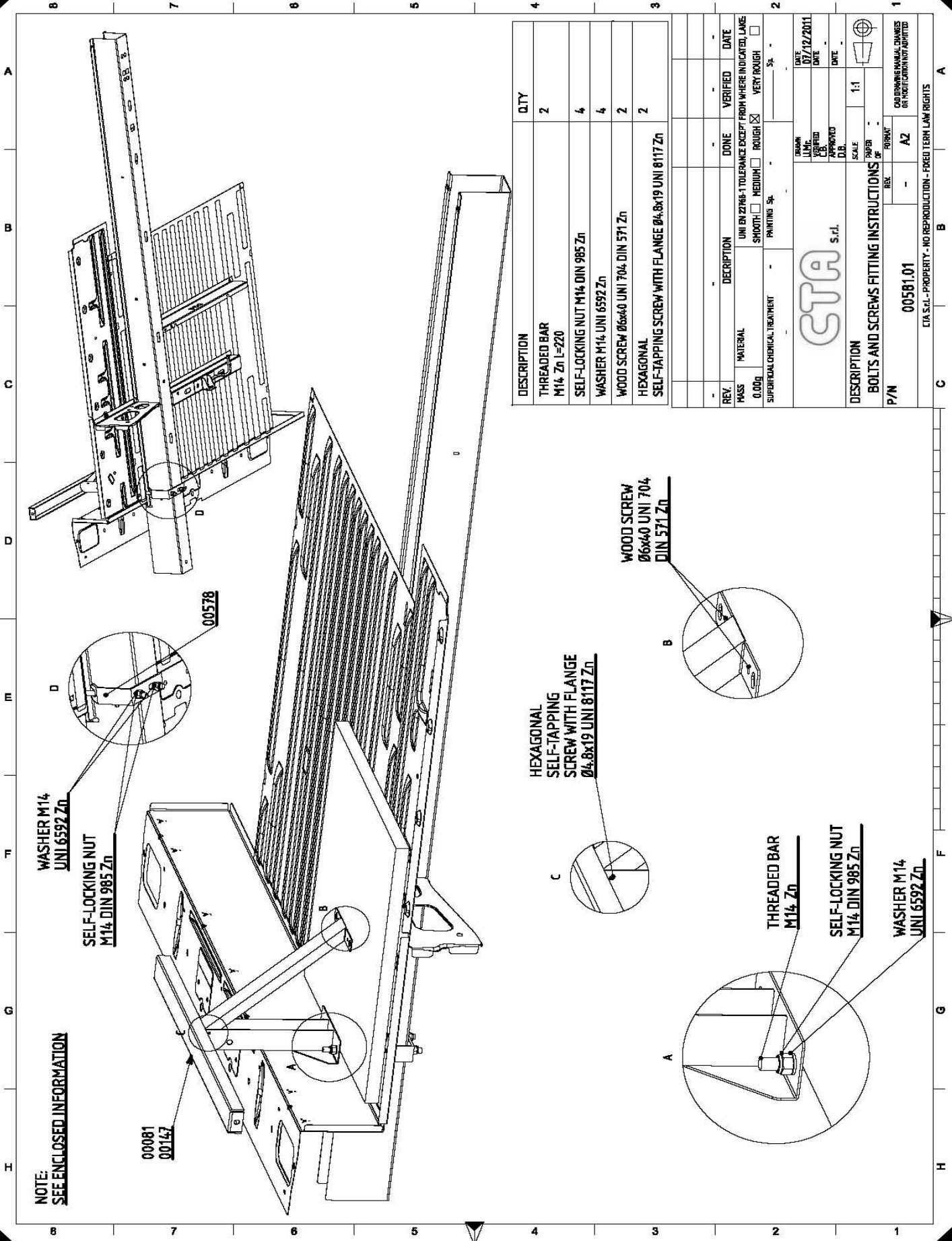
| DESCRIPTION | QTY |
|--|-----|
| THREADED BAR M14 Zn L=1000 | 2 |
| SELF-LOCKING NUT M14 DIN 985 Zn | 4 |
| WASHER M14 UNI 6592 Zn | 4 |
| WOOD SCREW Ø6x40 UNI 704 DIN 571 Zn | 2 |
| HEXAGONAL SELF-TAPPING SCREW WITH FLANGE Ø4.8x19 UNI 8117 Zn | 2 |

| REV. | DESCRIPTION | DONE | VERIFIED | DATE |
|-------|--|---|----------|------|
| 0.00g | UNI EN 2768-1 TOLERANCE EXCEPT FROM WHERE INDICATED LAKE | | | |
| | SUPERFICIAL CHEMICAL TREATMENT | SMOOTH <input type="checkbox"/> MEDIUM <input type="checkbox"/> ROUGH <input checked="" type="checkbox"/> VERY ROUGH <input type="checkbox"/> | | |
| | | PAINTING S ₁ | | |

| | | | |
|-------------|---------------------------------------|--------|------------|
| | | DATE | 07/12/2011 |
| | | DATE | |
| | | DATE | |
| DESCRIPTION | BOLTS AND SCREWS FITTING INSTRUCTIONS | | |
| P/N | 00581.XX | SCALE | 1:1 |
| | | FORMAT | AZ |

CAUTION: MANUAL DIMENSIONS OR NOTATION NOT ADMITTED

CTA S.r.l. - PROPERTY - NO REPRODUCTION - FIXED TERM LAW RIGHTS



NOTE:
SEE ENCLOSED INFORMATION

| DESCRIPTION | QTY |
|---|-----|
| THREADED BAR M14 Zn L=220 | 2 |
| SELF-LOCKING NUT M14 DIN 985 Zn | 4 |
| WASHER M14 UNI 6592 Zn | 4 |
| WOOD SCREW Ø6x40 UNI 704 DIN 571 Zn | 2 |
| HEXAGONAL SELF-TAPPING SCREW WITH FLANGE Ø4.8x19 UNI 8117 Zn | 2 |

| REV. | DESCRIPTION | DONE | VERIFIED | DATE |
|------------------------------|--|--------------------|----------|------|
| 0.00g | UNI EN 22868-1 TOLERANCE EXCEPT FROM WHERE INDICATED LAKE SMOOTH <input type="checkbox"/> MEDIUM <input type="checkbox"/> ROUGH <input checked="" type="checkbox"/> VERY ROUGH <input type="checkbox"/> | | | |
| SURFACIAL/CHEMICAL TREATMENT | | PAINTING Sp. _____ | | |

CTA s.r.l.

DATE: 07/12/2011

DESIGNER: _____

VERIFIED: _____

APPROVED: _____

DRAWN: _____

SCALE: 1:1

DESCRIPTION: BOLTS AND SCREWS FITTING INSTRUCTIONS

P/N: 00581.01

REV: -

AZ

OUTDRIVING MANUAL DAMAGES OR MODIFICATIONS ADMITTED

CTA S.r.l. - PROPERTY - NO REPRODUCTION - FREED TERM LAW RIGHTS

ATTENTION

THIS DRAWING IS ONLY INDICATIVE.
ITS AIM IS TO FACILITATE THE FITTING.

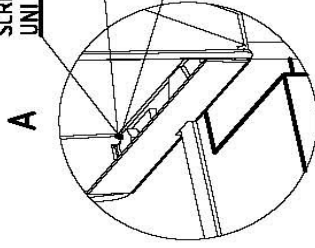
THE MANUFACTURER RESERVES THE RIGHT
TO CHANGE PARTS TO IMPROVE
THE PRODUCT WITHOUT NOTICE

THIS STRUCTURE IS SUITABLE
FOR HOMOLOGATED SECURITY
BELTS N° E20407137

SELF-LOCKING NUT
M8 DIN 985 Zn
SCREW M8x12
UNI 7380 Zn BLACK

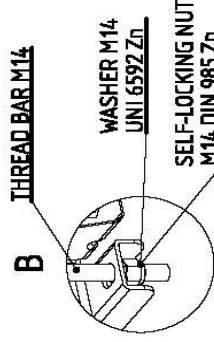
00199
00300
00330
00331
00400
00073
00081
00147

SCREW M12x110
UNI 5737 Zn
WASHER M14
UNI 6592 Zn
WASHER GROWER M14
UNI 1751 Zn



SELF-LOCKING NUT
M8 DIN 982 Zn
WASHER M8x24
UNI 6593 Zn

SCREW M8x60
UNI 5739 Zn
WASHER M8x24
UNI 6593 Zn



WASHER M14
UNI 6592 Zn
SELF-LOCKING NUT
M14 DIN 985 Zn

THREAD BAR M14

HEXAGONAL
SELF-TAPPING
SCREW WITH FLANGE
Ø4.8x19 UNI 8117 Zn

WOOD SCREW
Ø6x40 UNI 704
DIN 571 Zn

EXAMPLE CHASSIS UNI

| DESCRIPTION | Q.TY |
|--|------|
| SCREW M8x12 UNI 7380 Zn BLACK | 4 |
| SELF-LOCKING NUT M8 DIN 982 Zn | 6 |
| WASHER M8x24 UNI 6593 Zn | 4 |
| SCREW M8x60 UNI 5739 Zn | 2 |
| WASHER GROWER M14 UNI 1751 Zn | 2 |
| SCREW M14x110 UNI 5737 Zn | 2 |
| SELF-LOCKING NUT M14 DIN 985 Zn | 6 |
| WASHER M14 UNI 6592 Zn | 6 |
| THREADED BAR M14 Zn 2 L=350 | 4 |
| WOOD SCREW Ø6x40 UNI 704 DIN 571 Zn | 4 |
| HEXAGONAL SELF-TAPPING SCREW WITH FLANGE Ø4.8x19 UNI 8117 Zn | 2 |

00588
00589
00591
00592
00593
00596
00591
00598
00599.XX
00602.XX

| REV. | MATERIAL | DESCRIPTION | DONE | VERIFIED | DATE |
|------|--------------------------------|---|--------------------------|-------------------------------------|------|
| - | 0.00g | UNI EN 2768-1 TOLERANCE EXCEPT FROM WHERE INDICATED LAKE | <input type="checkbox"/> | <input type="checkbox"/> | |
| - | SUPERFICIAL CHEMICAL TREATMENT | SMOOTH <input type="checkbox"/> MEDIUM <input type="checkbox"/> VERY ROUGH <input type="checkbox"/> | <input type="checkbox"/> | <input checked="" type="checkbox"/> | |
| - | - | PAINTING | Sp. | Sp. | |

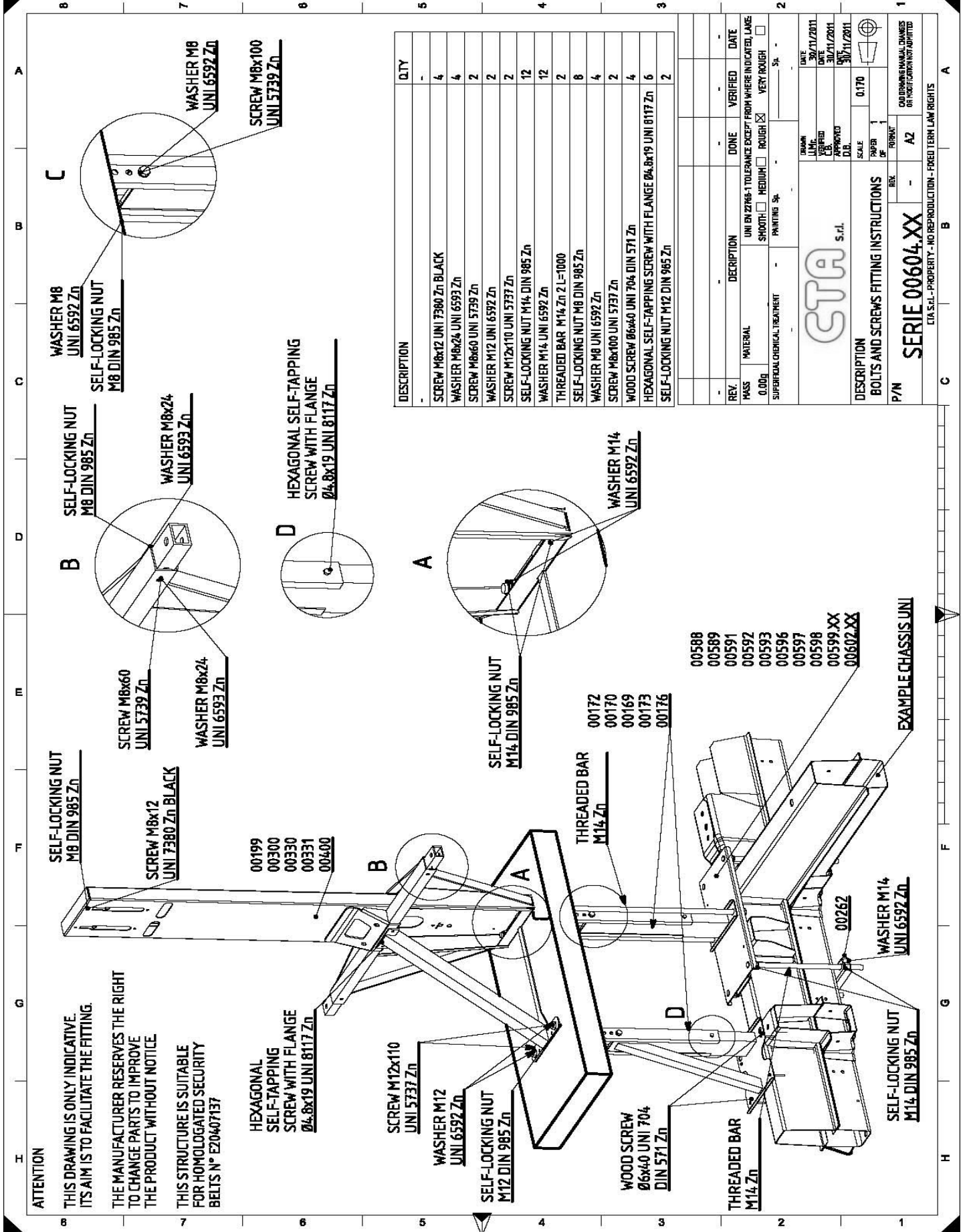
| | |
|--------|------------|
| DATE | 10/07/2009 |
| DATE | 10/07/2009 |
| DATE | 10/07/2009 |
| SCALE | 0.170 |
| PAPER | 1 |
| OF | |
| FORMAT | A2 |

| | |
|-------------|---------------------------------------|
| DESCRIPTION | BOLTS AND SCREWS FITTING INSTRUCTIONS |
| P/N | SERIE 00603.XX |

CTA S.r.l.

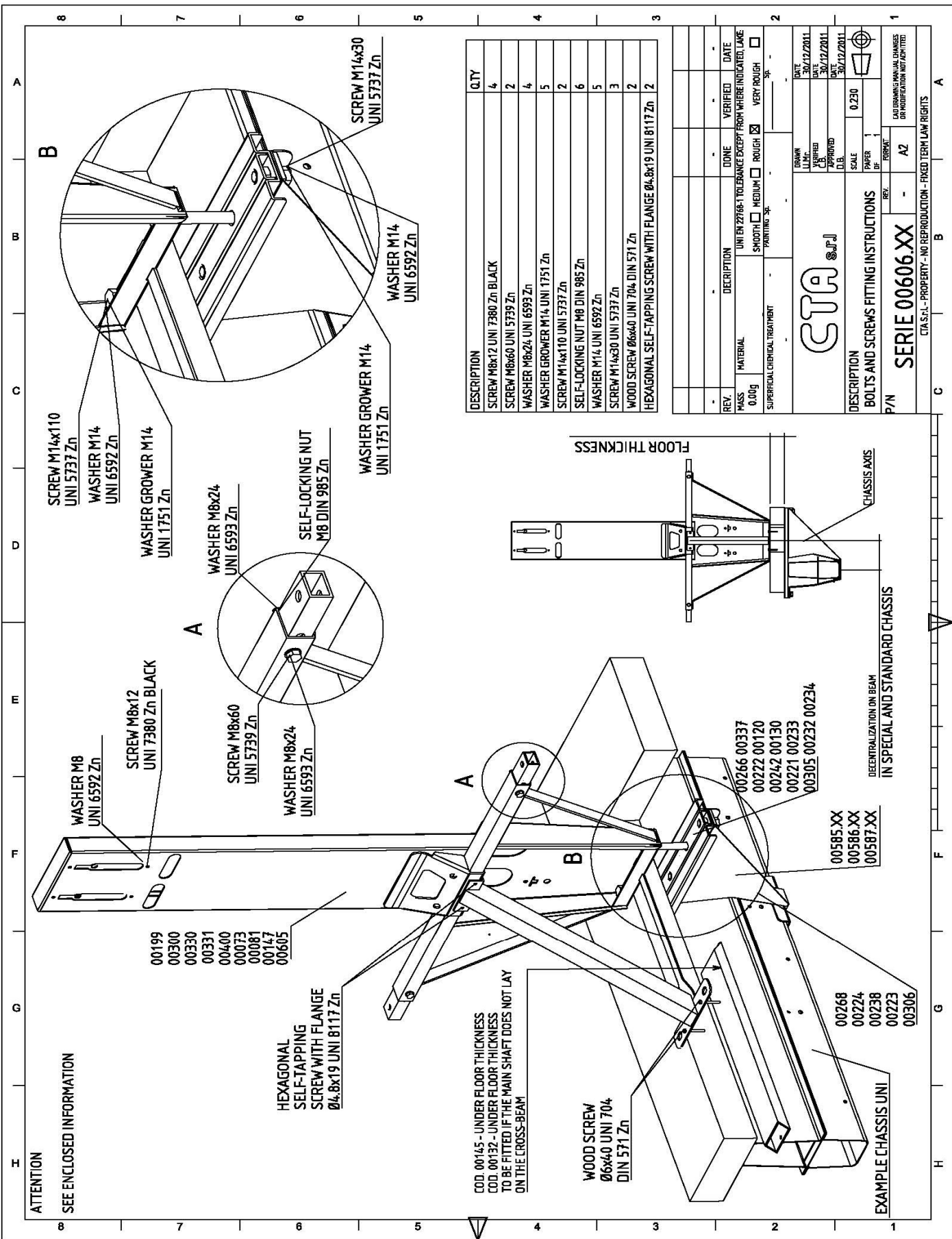
CAUTION: MANUAL CHANGES
OR NOTIFICATIONS ADMITTED

CTA S.r.l. - PROPERTY - NO REPRODUCTION - FIXED TERM LAW RIGHTS



| DESCRIPTION | Q.TY |
|--|------|
| SCREW M8x12 UNI 7380 Zn BLACK | 4 |
| WASHER M8x24 UNI 6593 Zn | 4 |
| SCREW M8x60 UNI 5739 Zn | 2 |
| WASHER M12 UNI 6592 Zn | 2 |
| SCREW M12x110 UNI 5737 Zn | 12 |
| SELF-LOCKING NUT M14 DIN 985 Zn | 12 |
| WASHER M14 UNI 6592 Zn | 2 |
| THREADED BAR M14 Zn 2 L=1000 | 8 |
| SELF-LOCKING NUT M8 DIN 985 Zn | 4 |
| WASHER M8 UNI 6592 Zn | 4 |
| SCREW M8x100 UNI 5737 Zn | 2 |
| WOOD SCREW $\emptyset 6 \times 40$ UNI 704 DIN 571 Zn | 4 |
| HEXAGONAL SELF-TAPPING SCREW WITH FLANGE $\emptyset 4,8 \times 19$ UNI 8117 Zn | 6 |
| SELF-LOCKING NUT M12 DIN 985 Zn | 2 |

| | | | |
|---|---|--------------|------|
| REV. | DONE | VERIFIED | DATE |
| MATERIAL | UNI EN 22864-TOLERANCE EXCEPT FROM WHERE INDICATED LARGE | | |
| 0.00g | SMOOTH <input type="checkbox"/> MEDIUM <input type="checkbox"/> ROUGH <input checked="" type="checkbox"/> VERY ROUGH <input type="checkbox"/> | | |
| SUPERFICIAL CHEMICAL TREATMENT | PAINING Zn | | |
| CTA S.r.l. | DATE: 30/11/2011 | | |
| DESCRIPTION | DATE: 30/11/2011 | | |
| BOLTS AND SCREWS FITTING INSTRUCTIONS | APPROVED: [Signature] | | |
| P/N | D.D.: | SCALE: 0.170 | |
| SERIE 00604.XX | PAPER: 1 | FORMAT: A2 | |
| CIA S.r.l. - PROPERTY - NO REPRODUCTION - FREED TERM LAW RIGHTS | | | |

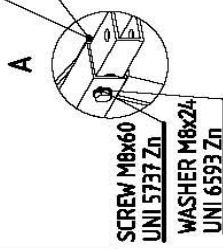


ATTENTION

THIS DRAWING IS ONLY INDICATIVE.
ITS AIM IS TO FACILITATE THE FITTING.

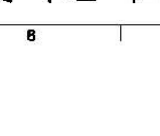
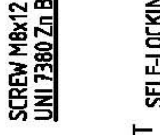
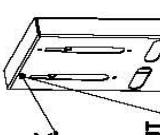
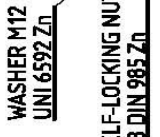
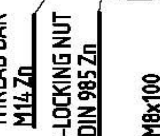
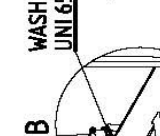
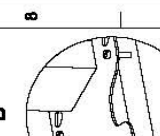
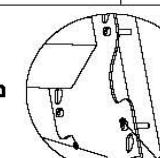
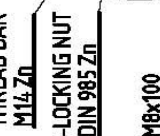
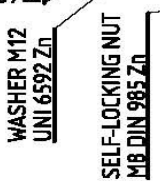
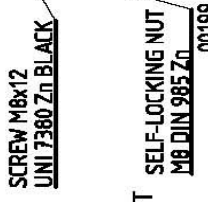
THE MANUFACTURER RESERVES THE RIGHT
TO CHANGE PARTS TO IMPROVE
THE PRODUCT WITHOUT NOTICE.

THIS STRUCTURE IS SUITABLE
FOR HOMOLOGATED SECURITY
BELTS N° E20407137



HEXAGONAL
SELF-TAPPING
SCREW WITH FLANGE
Ø4.8x19 UNI 8117 Zn

HEXAGONAL
SELF-TAPPING
SCREW WITH FLANGE
Ø4.8x19 UNI 8117 Zn



| DESCRIPTION | Q.TY |
|--|------|
| SCREW M8x12 UNI 7360 Zn BLACK | 4 |
| SCREW M8x100 UNI 5737 Zn | 2 |
| WASHER M8 UNI 6592 Zn | 4 |
| SELF-LOCKING NUT M12 DIN 985 Zn | 2 |
| SCREW M12x110 UNI 5737 Zn | 2 |
| SELF-LOCKING NUT M8 DIN 985 Zn | 8 |
| WASHER M12 UNI 6592 Zn | 4 |
| WASHER M8x24 UNI 6593 Zn | 4 |
| SCREW M8x60 UNI 5737 Zn | 2 |
| THREAD BAR M14 Zn L=1000 | 2 |
| WASHER M14 UNI 6592 Zn | 5 |
| WASHER GROWER M14 UNI 1751 Zn | 3 |
| SCREW M14x30 UNI 5737 Zn | 3 |
| HEXAGONAL SELF-TAPPING SCREW WITH FLANGE Ø4.8x19 UNI 8117 Zn | 6 |
| WOOD SCREW Ø6x40 UNI 704 DIN 571 Zn | 4 |

| REV. | DESCRIPTION | DONE | VERIFIED | DATE |
|--|--|------|----------|------|
| 0.001g <td>UNIFORMITY TOLERANCE EXCEPT FROM WHERE INDICATED, LANE</td> <td></td> <td></td> <td></td> | UNIFORMITY TOLERANCE EXCEPT FROM WHERE INDICATED, LANE | | | |
| | SUPERFICIAL CHEMICAL TREATMENT | | | |

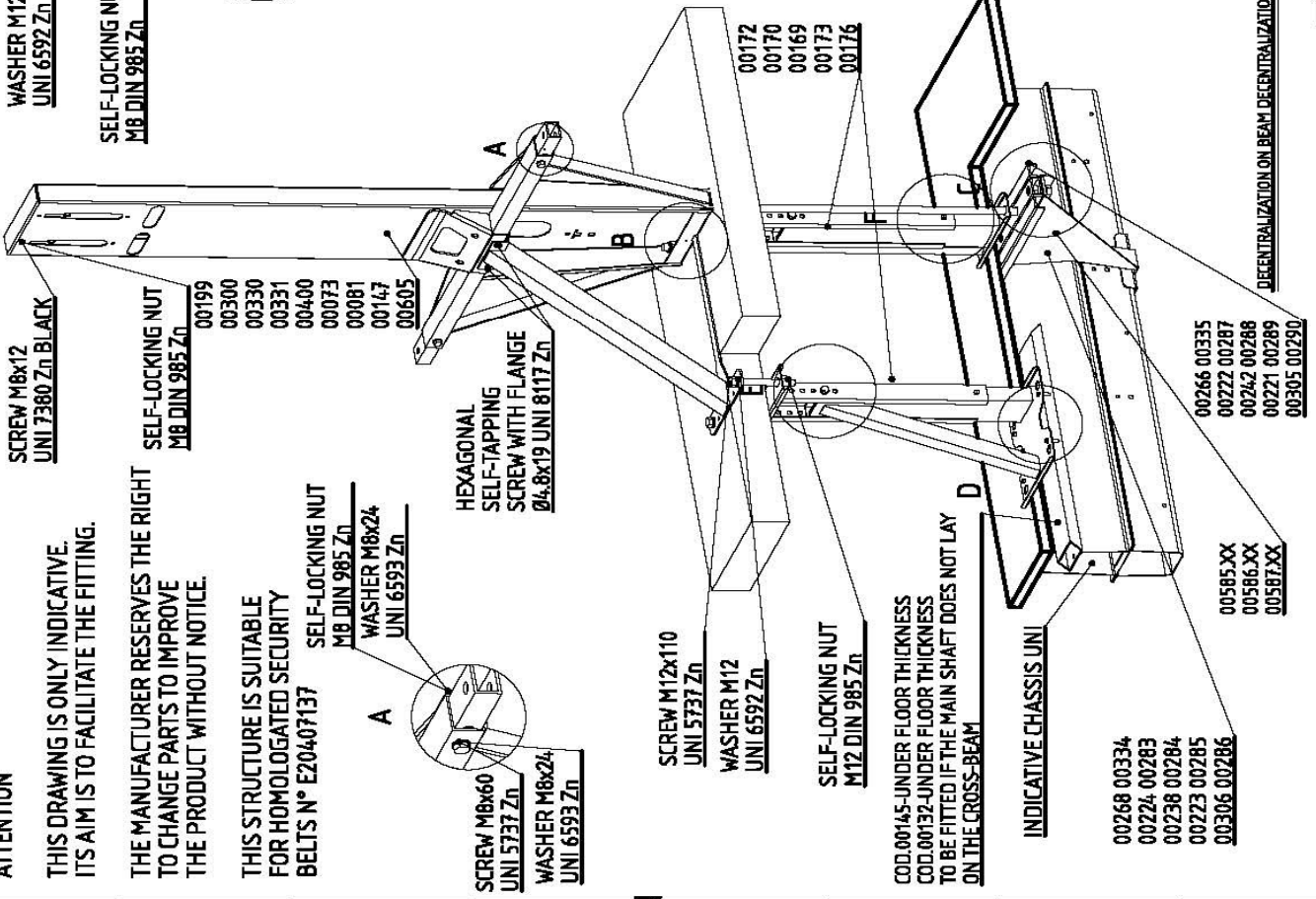
CTA S.r.l.

DATE: 30/12/2011
 DRAWN: []
 CHECKED: []
 APPROVED: []
 DATE: 30/12/2011

SCALE: 0.170
 PAPER: []
 DRAWING CODE: []

DESCRIPTION: BOLTS AND SCREWS FITTING INSTRUCTIONS
 P/N: SERIE 00607.XX
 0 AZ

CTA S.r.l. - PROPERTY - NO REPRODUCTION - FREEDOM OF RIGHTS



00199
00300
00330
00331
00400
00073
00081
00147
00605

00172
00170
00169
00173
00176

00266 00335
00222 00287
00242 00288
00221 00289
00305 00290

00585.XX
00586.XX
00587.XX

00268 00334
00224 00283
00238 00284
00223 00285
00306 00286

DECENTRALIZATION ON BEAM DECENTRALIZATION ON BEAM

INDICATIVE CHASSIS UNI

COD.00145-UNDER FLOOR THICKNESS
COD.00132-UNDER FLOOR THICKNESS
TO BE FITTED IF THE MAIN SHAFT DOES NOT LAY
ON THE CROSS-BEAM

NOTE:
SEE ENCLOSED INFORMATION

- 00400
- 00500
- 00330
- 00081
- 00147
- 00114
- 00115
- 00122
- 00114
- 00605

HEXAGONAL
SELF-TAPPING
SCREW WITH FLANGE
Ø4.8x19 UNI 8117 Zn

THREAD BAR
M14

SELF-LOCKING NUT
M14 DIN 985 Zn

WASHER M14
UNI 6592 Zn

THREAD BAR
M12

SELF-LOCKING NUT
M12 DIN 985 Zn

WASHER M12
UNI 6592 Zn

NUT
M14 UNI 5588

SCREW M14x50
UNI 5739

WASHER M14
UNI 6592 Zn

WASHER GROWER M14
UNI 1751 Zn

SELF-LOCKING NUT
M14 DIN 985 Zn

WASHER M14
UNI 6592 Zn

THREAD BAR
M14

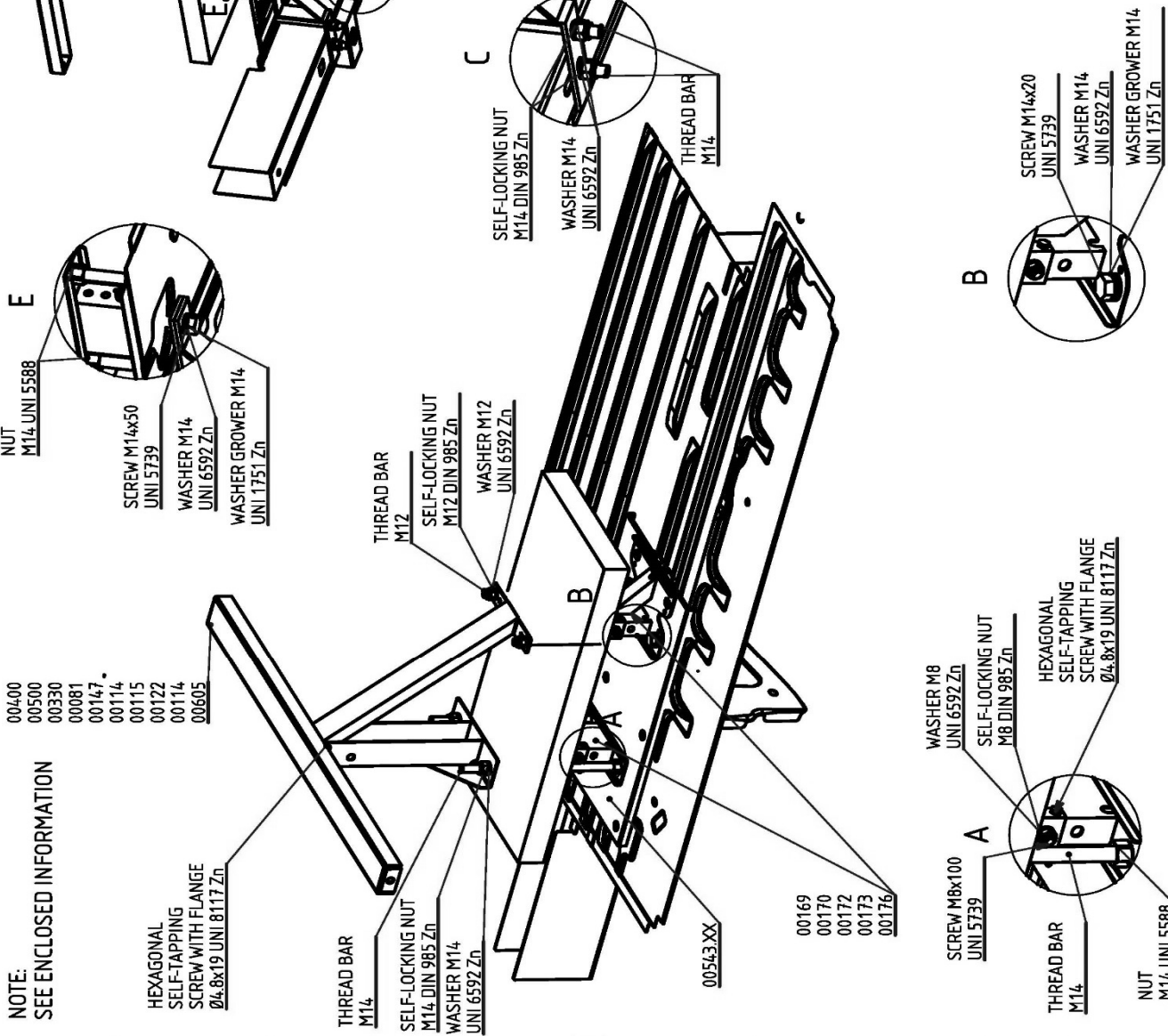
SELF-LOCKING NUT
M12 DIN 985 Zn

WASHER M12
UNI 6592 Zn

THREAD BAR
M12

SELF-LOCKING NUT
M12 DIN 985 Zn

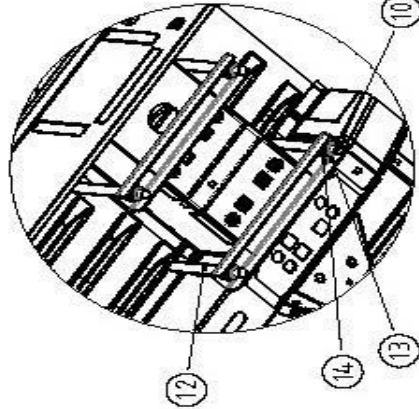
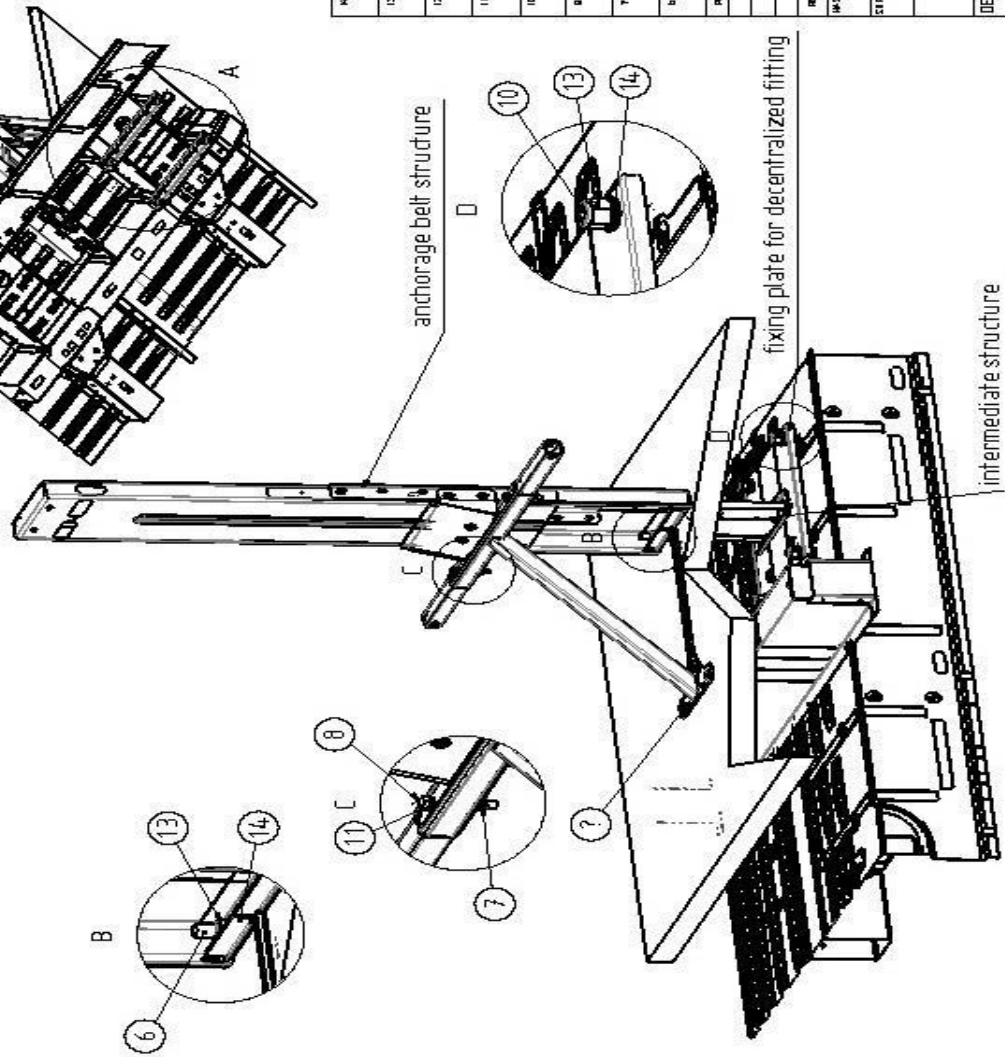
WASHER M12
UNI 6592 Zn



| DESCRIPTION | QTY |
|--|-----|
| WASHER M12 UNI 6592 Zn | 4 |
| SELF-LOCKING NUT M12 DIN 985 Zn | 4 |
| SCREW M14x50 UNI 5739 | 2 |
| SCREW M14x20 UNI 5739 | 2 |
| NUT M14 UNI 5588 | 4 |
| WASHER GROWER M14 UNI 1751 Zn | 4 |
| SELF-LOCKING NUT M8 DIN 985 Zn | 2 |
| WASHER M8 UNI 6592 Zn | 4 |
| SCREW M8x100 UNI 5739 Zn | 2 |
| SELF-LOCKING NUT M14 DIN 985 Zn | 6 |
| WASHER M14 UNI 6592 Zn | 10 |
| THREADED BAR M14 Zn 2 | 2 |
| THREADED BAR M14 Zn 2 | 2 |
| HEXAGONAL SELF-TAPPING SCREW WITH FLANGE Ø4.8x19 UNI 8117 Zn | 6 |

| | | | | |
|---|---|--------|----------|------------|
| REV. | DESCRIPTION | DONE | VERIFIED | DATE |
| MASS | UNI EN 22848-1 TOLERANCE EXCEPT FROM WHERE INDICATED LAKE | SMOOTH | ROUGH | VERY ROUGH |
| 0.00g | PAINING Sp. | | | |
| SUPERFICIAL CHEMICAL TREATMENT | | | | |
| CTA s.r.l. | | | | |
| DESCRIPTION BOLTS AND SCREWS FITTING INSTRUCTIONS | | | | |
| P/N | 00613 XX | 0 | A2 | |
| CTA S.r.l. - PROPERTY - NO REPRODUCTION - FIXED TERM LAW RIGHTS | | | | |

| PH | DESCRIPTION | QUANTITY | UNIT | NOTE |
|---------------|--|---------------------------------------|--------------------|------|
| 5KV0111000X00 | KIT DI MONTAGGIO | | | |
| PH | DESCRIPTION <td>QUANTITY <td>UNIT <td>NOTE</td> </td></td> | QUANTITY <td>UNIT <td>NOTE</td> </td> | UNIT <td>NOTE</td> | NOTE |
| 1 | | | | |
| 2 | | | | |
| 3 | | | | |
| 4 | | | | |
| | NEXT | | | |



| NO. | INTELLIGENZA | DESCRIZIONE | QTY. | UNITA' |
|-----|--------------|----------------------------------|------|--------|
| 14 | INTELLIGENZA | RO FISSA PI-FA IN CROCE IN FIBRA | 10 | 0 |
| 15 | INTELLIGENZA | M-10 IN FIBRA IN CROCE IN FIBRA | 10 | 0 |
| 12 | INTELLIGENZA | TUBO IN BRASS | 4 | 1 |
| 11 | INTELLIGENZA | RO FISSA PI-FA IN CROCE IN FIBRA | 4 | 0 |
| 10 | INTELLIGENZA | B-1000 PL-1000 | 4 | 1 |
| 9 | INTELLIGENZA | B-1000 PL-1000 | 2 | 1 |
| 7 | INTELLIGENZA | M-10 IN FIBRA IN CROCE IN FIBRA | 2 | 0 |
| 6 | INTELLIGENZA | B-1000 PL-1000 | 2 | 1 |
| 5 | INTELLIGENZA | B-1000 PL-1000 | 2 | 1 |
| 4 | INTELLIGENZA | B-1000 PL-1000 | 2 | 1 |
| 3 | INTELLIGENZA | B-1000 PL-1000 | 2 | 1 |
| 2 | INTELLIGENZA | B-1000 PL-1000 | 2 | 1 |
| 1 | INTELLIGENZA | B-1000 PL-1000 | 2 | 1 |

CTA S.p.A.

DESCRIPTION: KIT DI MONTAGGIO

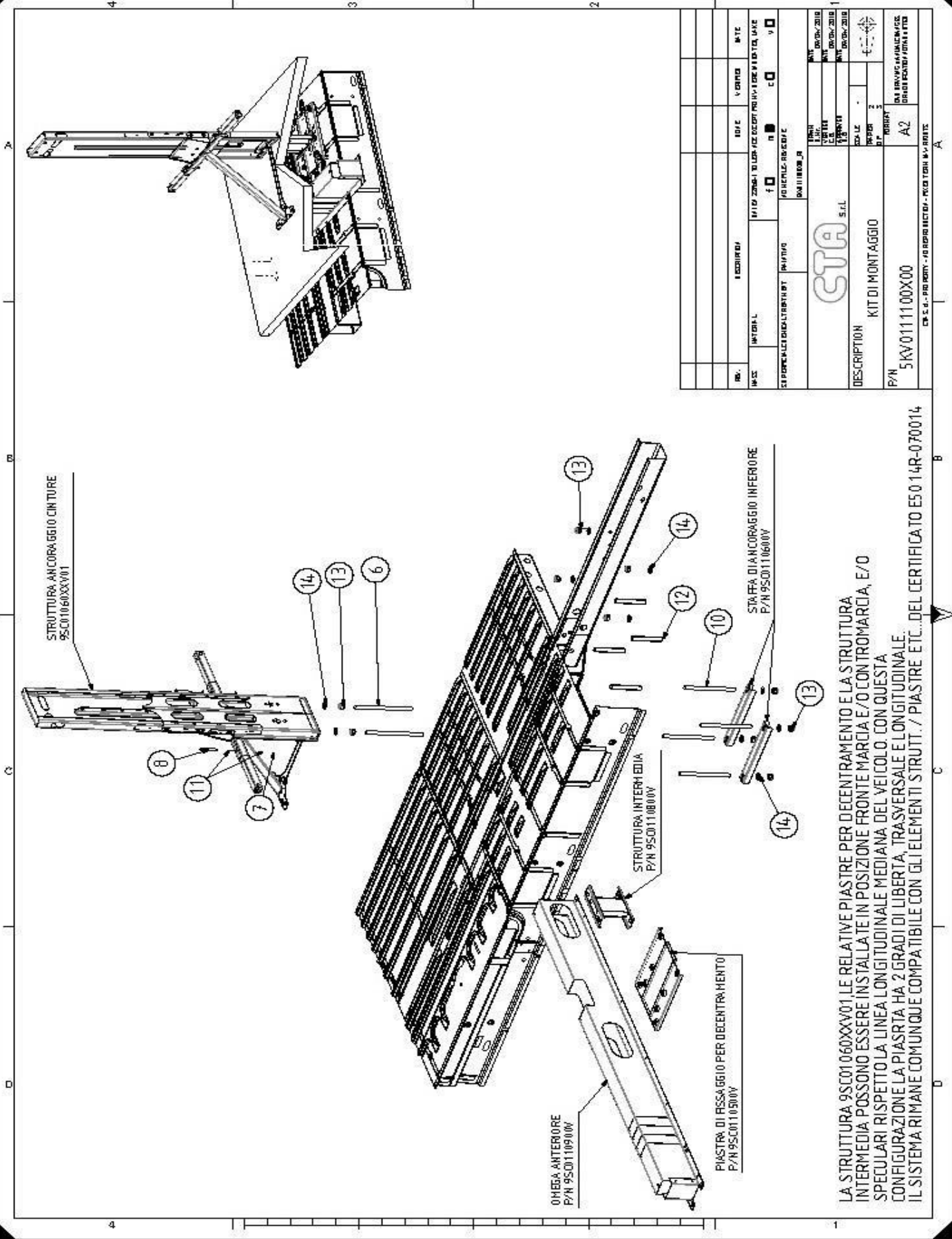
P/N: 5KV0111000X00

DA BRUNO MANIACI/CE
DISEGNO/REALIZZAZIONE

REVISIONI:

| NO. | DATA | DESCRIZIONE |
|-----|------------|-------------|
| 1 | 06/06/2010 | PROGETTO |
| 2 | 06/06/2010 | PROGETTO |
| 3 | 06/06/2010 | PROGETTO |

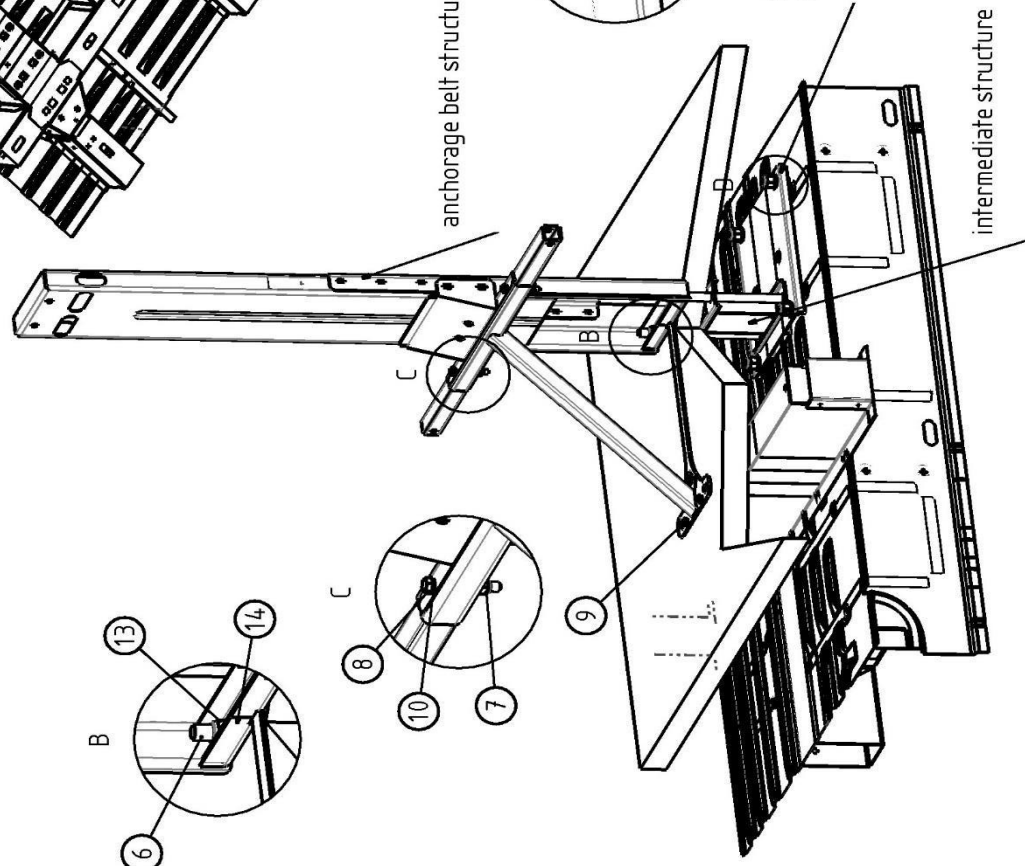
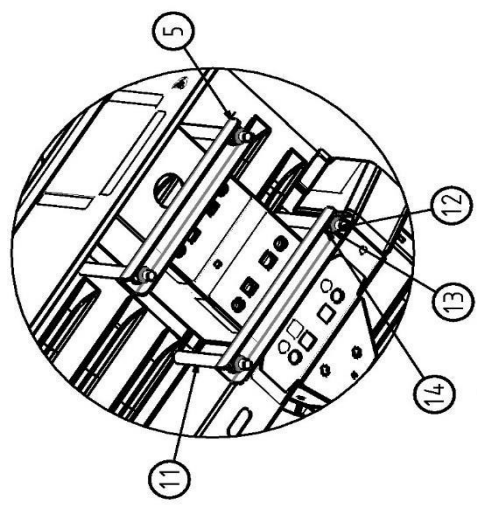
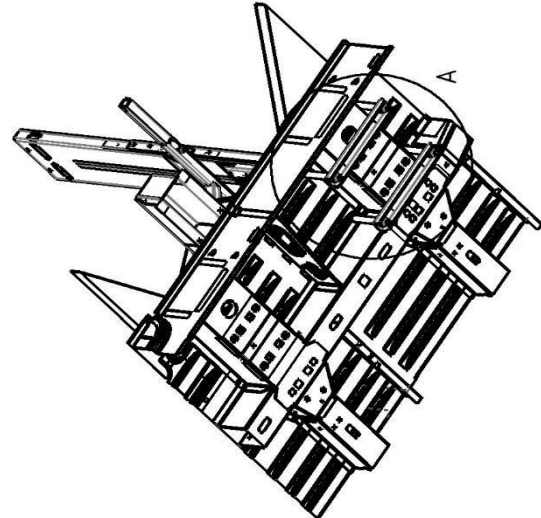
CTA S.p.A. - VIA S. PIETRO, 10 - 36010 VIGEVANO (VI) - ITALIA



LA STRUTTURA 95C010600XXV01 LE RELATIVE PIASTRE PER DECENTRAMENTO E LA STRUTTURA INTERMEDIA POSSONO ESSERE INSTALLATE IN POSIZIONE FRONTE MARCIA E/O CON TROMBACIA, E/O SPECULARI RISPETTO LA LINEA LONGITUDINALE MEDIANA DEL VEICOLO. CON QUESTA CONFIGURAZIONE LA PIASTRITA HA 2 GRADI DI LIBERTA', TRASVERSALE E LONGITUDINALE. IL SISTEMA RIMANE COMUNQUE COMPATIBILE CON GLI ELEMENTI STRUTT. / PIASTRE ETC... DEL CERTIFICATO ES.014R-070014

| | | | | | |
|--|-----------|----------|-------------------------|--------|--------|
| NO. | REVISIONI | EDIZIONE | INTEC. | INTEC. | INTEC. |
| INTEC. | INTEC. | INTEC. | INTEC. | INTEC. | INTEC. |
| SEI POPULI ELETTRONIC S.P.A. - VIA S. GIUSEPPE, 10 - 00144 ROMA, ITALIA TELEFONO: 06/4780111 - TELEFAX: 06/4780112 - WWW.SEI.IT | | | | | |
| CTA S.r.l. KIT DI MONTAGGIO | | | P/N 5KV0111100X00 A2 | | |
| CTA S.p.A. - VIA S. GIUSEPPE, 10 - 00144 ROMA, ITALIA - TEL. 06/4780111 | | | | | |

| PN | DESCRIPTION | MASS |
|---------------|------------------|------|
| 5KV0111101X00 | KIT DI MONTAGGIO | |
| RAW MATERIAL | QTY | NOTE |
| | | |
| OP. SEQ. | DESCRIPTION | NOTE |
| 1 | | |
| 2 | | |
| 3 | | |
| 4 | | |
| NEXT | | |



anchorage belt structure

fixing plate for decentralized fitting

intermediate structure

| POS. | PN | DESCRIPTION | QTY. | RESERV. |
|------|------------------------------------|-------------------------------------|------|---------|
| 14 | V10051800Z22 | RONDELLA PANNA M14 ZINCAI UNI 5592 | 10 | |
| 13 | V10022200Z22 | DADO M14 AUTOBLOCCANTE DIN 985 | 10 | |
| 12 | BARRA FIL M14 | BARRA FIL M14X200 | 4 | |
| 11 | SC0110200V | LUBR. 81802 | 4 | |
| 10 | V10052200Z22 | RONDELLA PANNA M8X6 ZINCAI UNI 5592 | 4 | |
| 9 | WOOD_SCRW_20x25_UNI_704_UNI_571_Zn | WOOD_SCRW_20x25_UNI_704_UNI_571_Zn | 2 | |
| 8 | V10132100Z3 | BULLONETTO M8X60 UNI 579 ZINCAI | 2 | |
| 7 | V10025000X00 | DADO M8 AUTOBLOCCANTE | 2 | |
| 6 | BARRA FIL M14 | BARRA FIL M14X225 | 2 | |

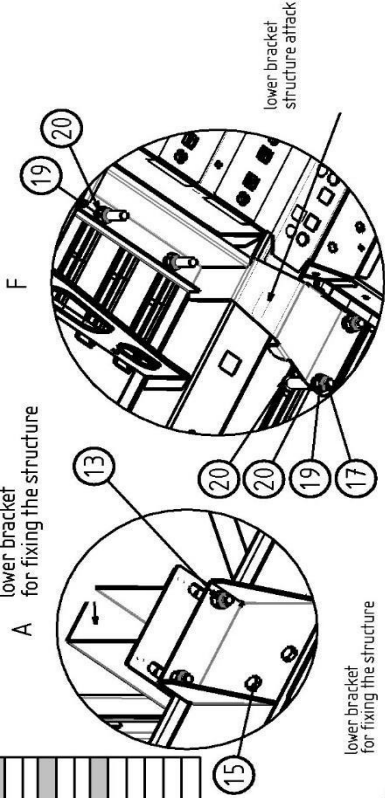
| | | | | |
|--------------------------------|-------------|---------------------------|----------|--|
| REV. | DESCRIPTION | DONE | VERIFIED | DATE |
| MASS | MATERIAL | UNITEN | Z2708-1 | TOLERANCE EXCEPT FROM WHERE INDICATED LAKE |
| SUPERFICIAL CHEMICAL TREATMENT | | PAINTING | | |
| NOTE FILE - REVISIONE | | PROV1111000L.R8 | | |
| DRAWN | | DATE 09/04/2018 | | |
| CHECKED | | DATE 09/04/2018 | | |
| DESIGNED | | DATE 09/04/2018 | | |
| SCALE | | 1:1 | | |
| PAPER | | FORMAT | | |
| DESCRIPTION | | KIT DI MONTAGGIO | | |
| P/N | | 5KV0111101X00 | | |
| TERRAT | | A2 | | |
| Dwg. DRAWING MANUAL CHANGES | | REPRODUCTION NOT ADMITTED | | |



CTA s.r.l.
KIT DI MONTAGGIO
5KV0111101X00

CTA S.r.l. - PROPERTY - NO REPRODUCTION - EXCEPT TERM LAW RIGHTS

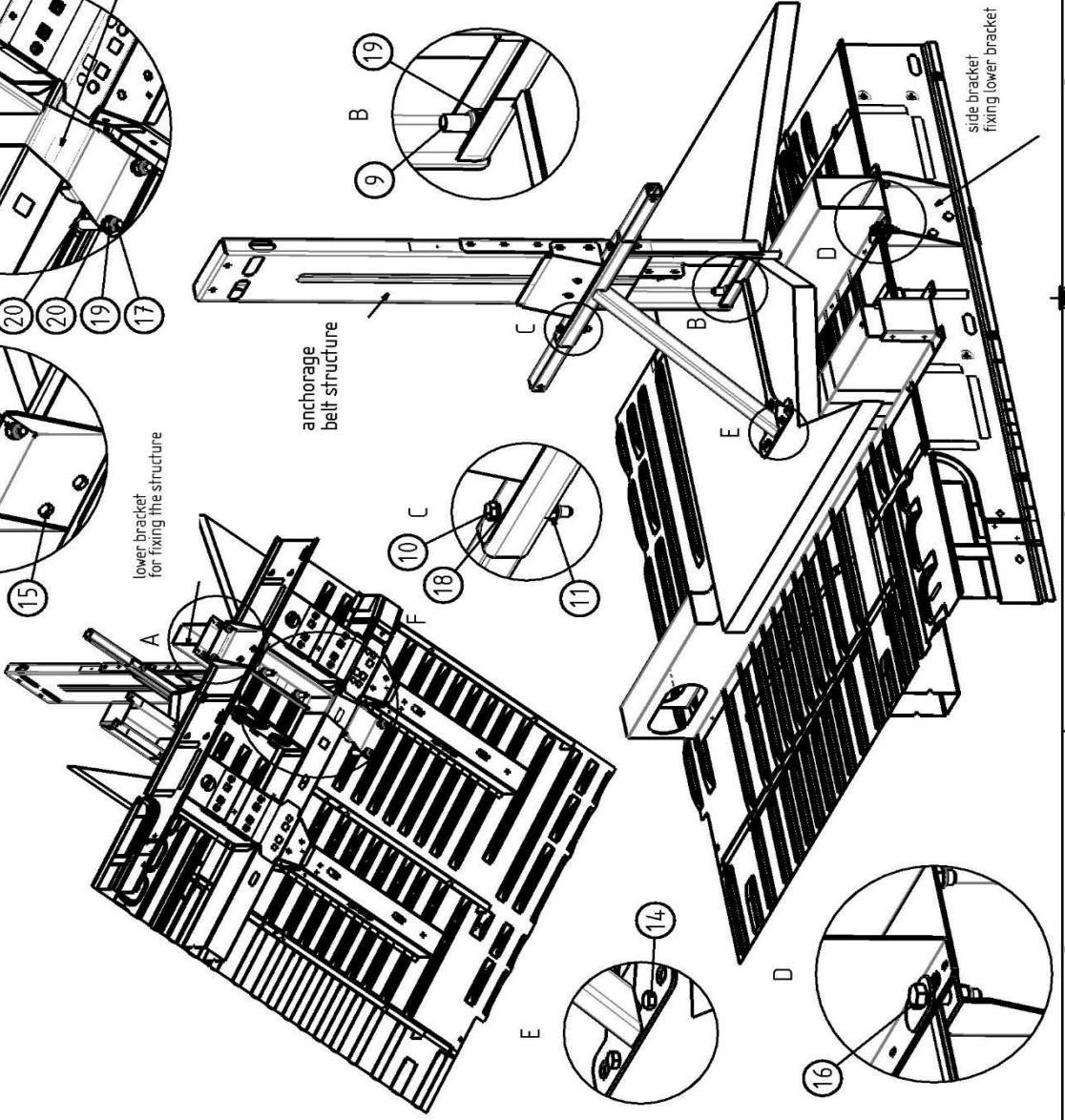
| PN | DESCRIPTION | QUANTITY | NOTE |
|--------------|------------------|----------|------|
| 5KV011200X00 | KIT DI MONTAGGIO | | |
| OP. SEQ. | DESCRIPTION | NOTE | |
| 1 | | | |
| 2 | | | |
| 3 | | | |
| 4 | | | |
| NEXT | | | |



lower bracket for fixing the structure

anchorage belt structure

lower bracket structure attack



KIT MOUNTING SERIES: 5KV011200X00

| POS. | PN | DESCRIPTION | QTY. | PROVIEW |
|------|---------------------------------------|---------------------------------------|------|---------|
| 20 | V100351600Z32 | RONDELLA PANNA M12 X INAL. UNI 6592 | 8 | |
| 19 | V10022200Z32 | CAP. M14 AUTOBLOCCANTE ZN DIN 955 | 6 | |
| 18 | V10032200Z32 | RONDELLA PANNA M8 X INAL. UNI 6592 | 4 | |
| 17 | M12 SCRM UNI 5737 ZN | M12 SCRM UNI 5737 ZN | 2 | |
| 16 | M12 SCRM UNI 5739 ZN | M12 SCRM UNI 5739 ZN | 2 | |
| 15 | V10035600Z32 | M10 SCRM UNI 5739 ZN | 2 | |
| 14 | WOOD SCREW 08 X INAL. 094X UNI 431 ZN | WOOD SCREW 08 X INAL. 094X UNI 431 ZN | 2 | |
| 13 | M12 NUT DIN 962 | M12 NUT DIN 962 | 2 | |
| 12 | V10023500X00 | M10 NUT DIN 962 | 2 | |
| 11 | V10022650X00 | CAP. M8 AUTOBLOCCANTE | 2 | |
| 10 | V10132100Z3 | BULLONE T8 M8 UNI 2939 ZINATA | 2 | |
| 9 | | BARRA FILE M14 | 2 | |

| REV. | DESCRIPTION | DATE | VERIFIED | DATE |
|------|-------------|------|----------|------|
| | | | | |

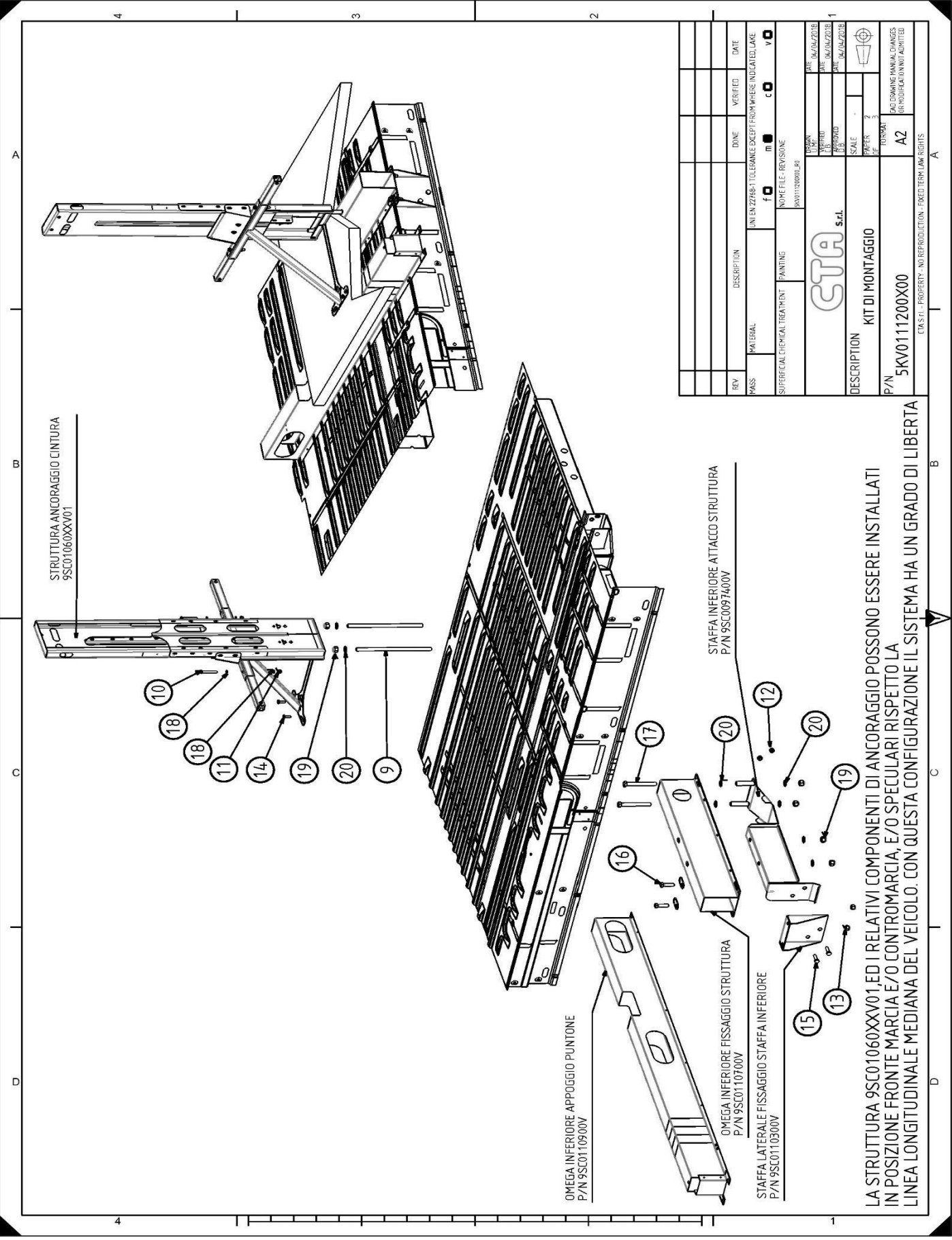
| MASS | MATERIAL | DESCRIPTION | PAINTING | TOLERANCE EXCEPT FROM WHERE INDICATED, LAKE | NO. FILE - REVISIONE |
|------|----------|-------------|----------|---|----------------------|
| | | | | | |

| DATE | DATE | DATE | DATE |
|------------|------------|------------|------------|
| 06/06/2018 | 06/06/2018 | 06/06/2018 | 06/06/2018 |

| DESCRIPTION | SCALE | PAPER | FORMAT |
|--------------------------------|-------|-------|--------|
| CTA S.r.l. KIT DI MONTAGGIO | | A2 | |

| P/N | 5KV011200X00 |
|-----|--------------|
| | |

CTA S.r.l.
KIT DI MONTAGGIO
P/N 5KV011200X00



STRUTTURA ANCORAGGIO CINTURA
P/N 9SC01060XXV01

OMEGA INFERIORE APPOGGIO PUNTO
P/N 9SC0110900V

STAFFA INFERIORE ATTACCO STRUTTURA
P/N 9SC0097400V

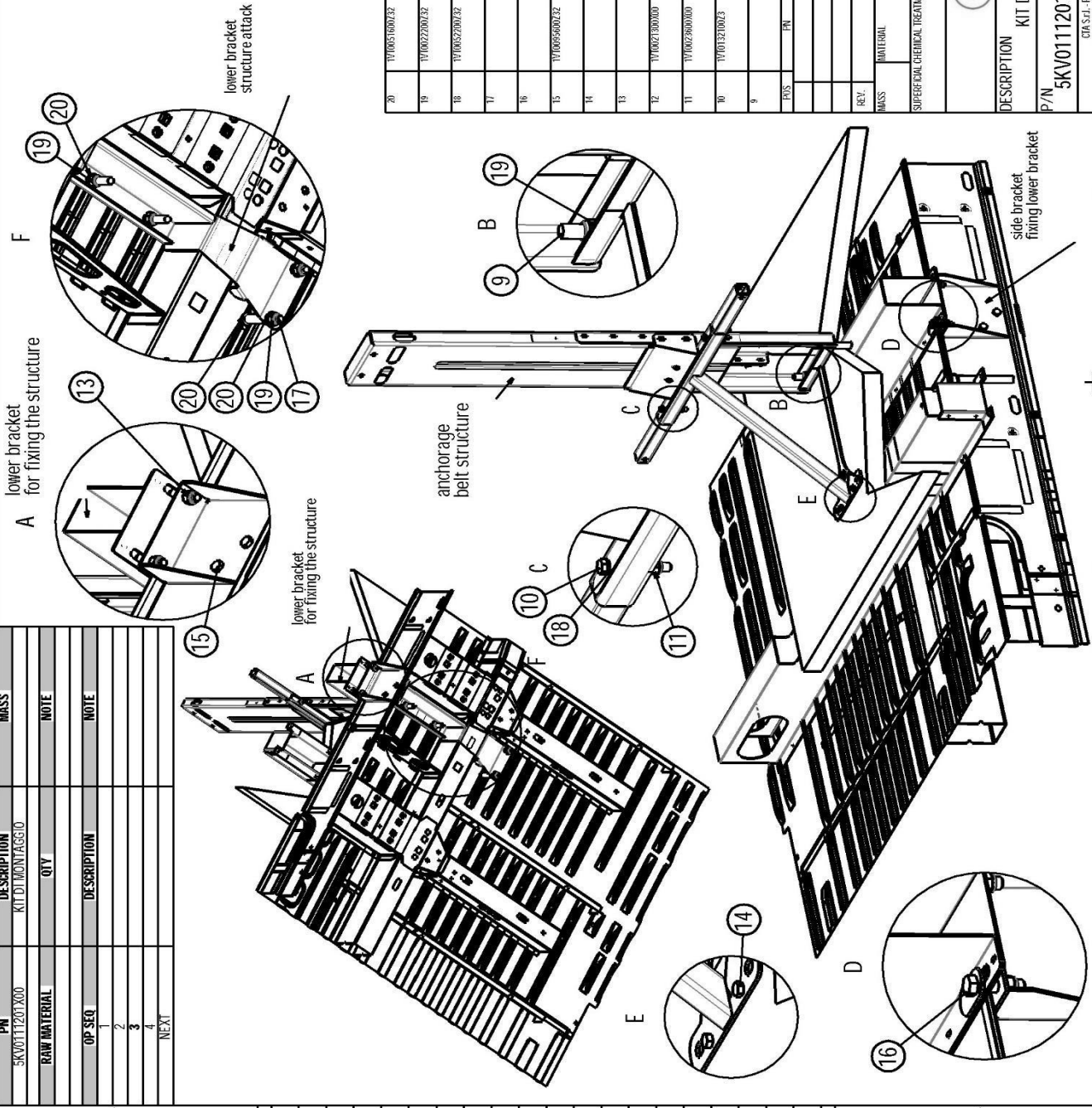
OMEGA INFERIORE FISSAGGIO STRUTTURA
P/N 9SC0110700V

STAFFA LATERALE FISSAGGIO STAFFA INFERIORE
P/N 9SC0110300V

LA STRUTTURA 9SC01060XXV01, ED I RELATIVI COMPONENTI DI ANCORAGGIO POSSONO ESSERE INSTALLATI IN POSIZIONE FRONTE MARCIA E/O CONTROMARCIA, E/O SPECULARI RISPETTO LA LINEA LONGITUDINALE MEDIANA DEL VEICOLO. CON QUESTA CONFIGURAZIONE IL SISTEMA HA UN GRADO DI LIBERTA

| | | | | |
|--|-------------|--|------------|------|
| REV | DESCRIPTION | DONE | VERIFIED | DATE |
| MASS | MATERIAL | UNI EN 22464-1 TOLERANCE EXCEPT FROM WHERE INDICATED, LAKE | | |
| SUPERFICIAL CHEMICAL TREATMENT | | PAINTING | | |
| NOME FILE - REVISIONE | | POV0112000L.P01 | | |
| DESIGN | | DATE | 16/01/2018 | |
| CHECKED | | DATE | 16/01/2018 | |
| APPROVED | | DATE | 16/01/2018 | |
| SCALE | | | | |
| SHEET | | 2 | | |
| TOTAL | | | | |
| DESCRIPTION | | KIT DI MONTAGGIO | | |
| P/N | | 5KV0111200X00 | | |
| A2 | | DRAWING PARTIAL CHANGES OR MODIFICATION NOT ADMITTED | | |
| CTA S.p.A. - PROPERTY - NO REPRODUCTION - FREEDOM RIGHTS | | | | |

| PN | DESCRIPTION | QUANTITY | MASS | NOTE |
|--------------|------------------|----------|------|------|
| 5KV011201X00 | KIT DI MONTAGGIO | | | |
| RAW MATERIAL | | | | |
| OP SEQ | DESCRIPTION | | | NOTE |
| 1 | | | | |
| 2 | | | | |
| 3 | | | | |
| 4 | | | | |
| | NEXT | | | |



| POS | PN | DESCRIPTION | QTY | PREDEF |
|-----|-------------------------------------|--|-----|--------|
| 20 | TV00051600232 | RODILETTA PUNTA METZ ZINCATO UNI 5782 | 8 | |
| 19 | TV00022700232 | LAVORO IN FEA AUTOREGOLANTE ZN UNI 885 | 6 | |
| 18 | TV00052700232 | RODILETTA PUNTA METZ ZINCATO UNI 5782 | 4 | |
| 17 | M14X70 Screw UNI 5783 Zn | | 2 | |
| 16 | M12X45 Screw UNI 5789 Zn | | 2 | |
| 15 | TV00056800232 | M8X35 Screw UNI 5789 Zn | 2 | |
| 14 | WOOD_SCREW_08X25_UNI_709_DIN9137_Zn | | 2 | |
| 13 | M12 Nut DIN 932 | | 2 | |
| 12 | TV00021900200 | M10 Nut DIN 932 | 2 | |
| 11 | TV00024800200 | LAVORO IN FEA AUTOREGOLANTE | 2 | |
| 10 | TV0013270023 | BULLONE LE 08X60 UNI 5735 ZINCATO | 2 | |
| 9 | LAVORO IN FEA ATTACCO | | 2 | |

| REV. | DESCRIPTION | DATE | VERIFIED | DATE |
|------|-------------|------|----------|------|
| | | | | |

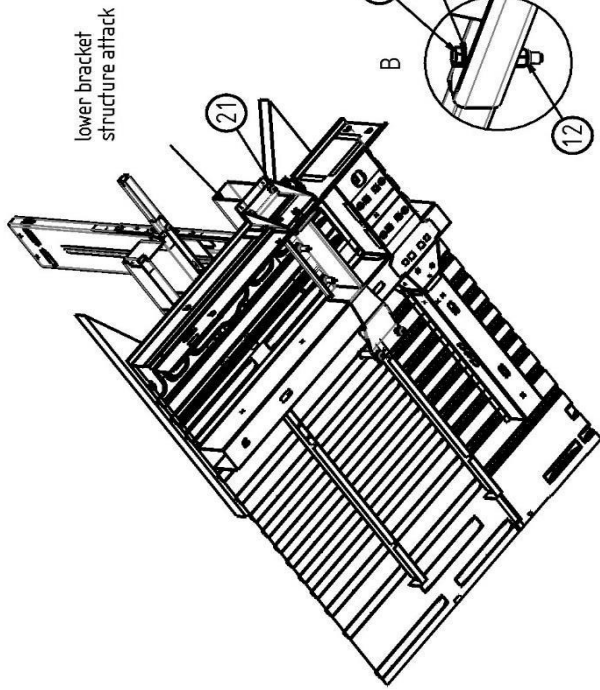
| MASS | MATERIAL | PAINTING | NOTE FILE - REVISIONE |
|------|----------|----------|-----------------------|
| | | | 5KV011201X00_00 |

| DESCRIPTION | SCALE | PAPER | FORMAT |
|------------------|-------|-------|--------|
| KIT DI MONTAGGIO | A2 | | |

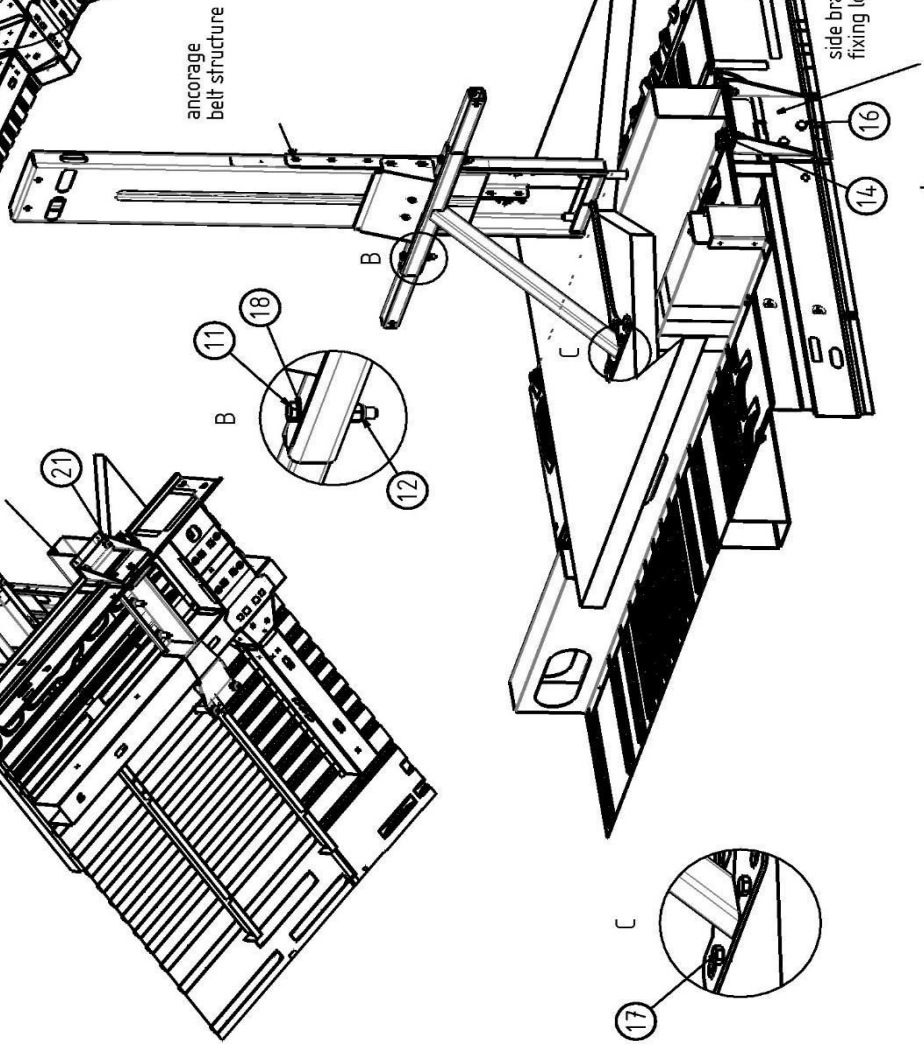
| P/N | 5KV011201X00 |
|------|--------------|
| DATE | 13/03/2018 |
| APP. | |
| DATE | 13/03/2018 |
| APP. | |
| DATE | 13/03/2018 |
| APP. | |

| DESCRIPTION | CTA s.r.l. |
|---|------------|
| CTA s.r.l. - PROPERTY - NO REPRODUCTION - FIXED TERM RIGHTS | |

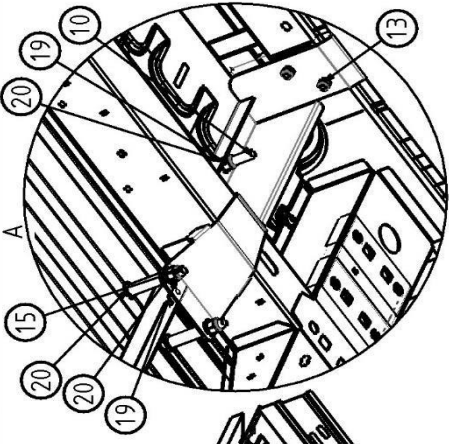
| PN | DESCRIPTION | QUANTITY | MASS | NOTE |
|---------------|------------------|----------|------|------|
| 5KV0111300X00 | KIT DI MONTAGGIO | | | |
| RAW MATERIAL | QTY | NOTE | | |
| OP-SEQ | DESCRIPTION | NOTE | | |
| 1 | | | | |
| 2 | | | | |
| 3 | | | | |
| 4 | | | | |
| NEXT | | | | |



lower bracket
structure attack



side bracket
fixing lower bracket



| POS. | PN | DESCRIPTION | QTY | REVISION |
|------|----|---|-----|----------|
| 20 | | RONDELLA PIANA IN ZINCATO UNI 5592 | 6 | |
| 19 | | DADDI M14 AUTOLUBrificANTE Z10 DIN 915 | 6 | |
| 18 | | RONDELLA PIANA IN ZINCATO UNI 5592 | 4 | |
| 21 | | M12 NUT DIN 922 | 2 | |
| 17 | | WOOD SCREW (BLOCCO) UNI 5797Z1 | 2 | |
| 16 | | VITE PERI ASSICURATE (S) (M12) - A - M10_30 | 2 | |
| 15 | | M14 SCREW UNI 5797Z1 | 2 | |
| 14 | | M12 SCREW UNI 5797Z1 | 2 | |
| 13 | | M10 NUT DIN 922 | 2 | |
| 12 | | DADDI PER AUTOLUBrificANTE | 2 | |
| 11 | | BULLONETE PER UNIFESSINCATO | 2 | |
| 10 | | BARRA FIL M14 | 2 | |

| REV. | DESCRIPTION | DATE | VERIFIED | DATE | | |
|--------------------------------|-------------|--|----------|--|---|---|
| MASS | PARTIAL | UNI EN 22661-TOLERANCE EXCEPT FROM WHERE INDICATED, LAKE | f | m | c | v |
| SUPERFICIAL CHEMICAL TREATMENT | | PAINTING | | NOTE FILE - REVISIONE 560117000001.PD | | |
| DATE (MM/AA/YY) | | DATE (MM/AA/YY) | | DATE (MM/AA/YY) | | |
| 16/07/2013 | | 16/07/2013 | | 16/07/2013 | | |
| VERIFIED | | APPROVED | | SCALE | | |
| | | | | 1 | | |
| DESCRIPTION | | KIT DI MONTAGGIO | | FORMAT | | |
| P/N | | 5KV0111300X00 | | A2 | | |

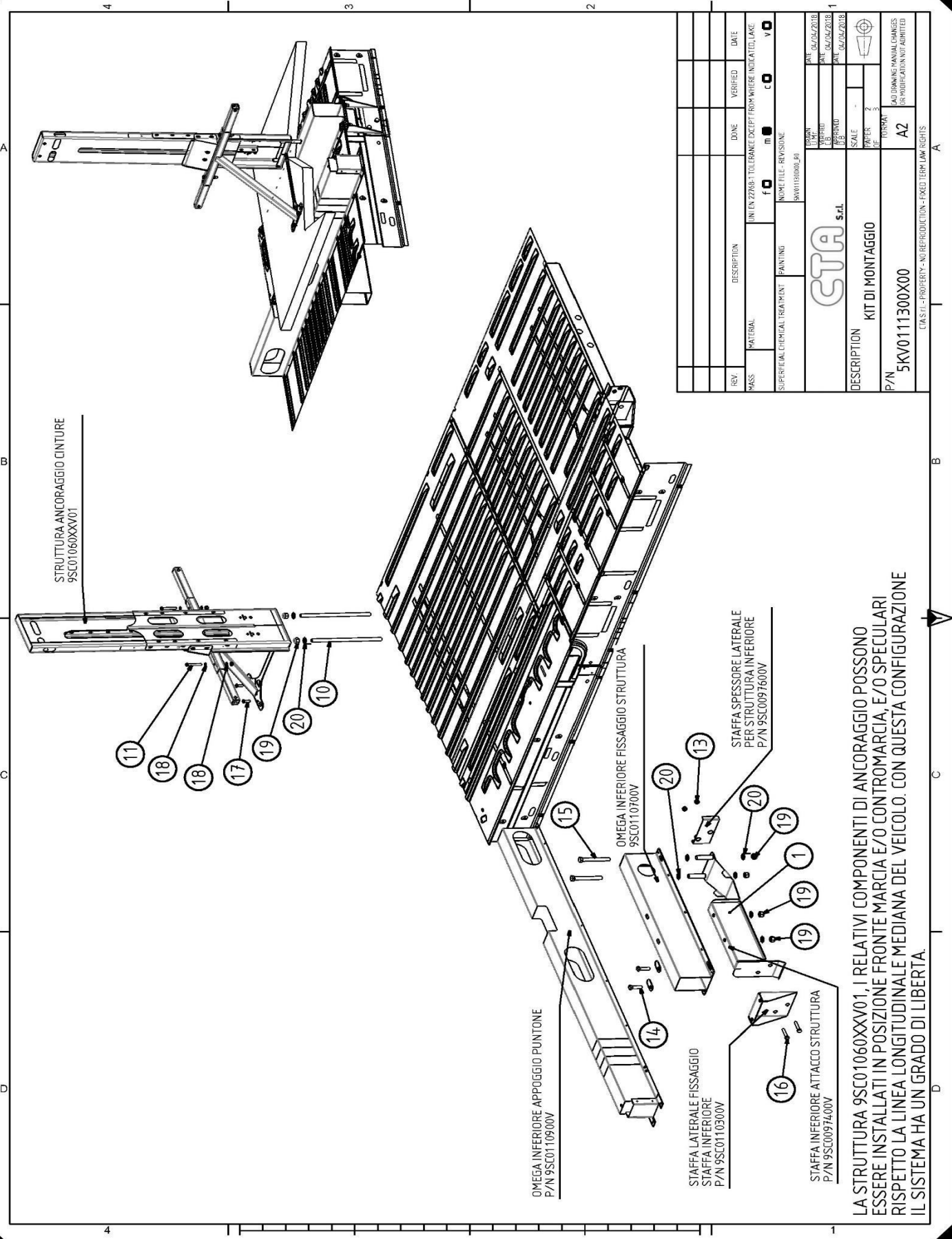
CTA s.r.l.

CTA s.r.l.

CTA s.r.l.

CTA s.r.l.

CLASSIFIED PROPERTY - NO REPRODUCTION - FIXED TERM LAW RIGHTS



STRUTTURA ANCORAGGIO CINTURE
9SC01060XXV01

- 11
- 18
- 18
- 17
- 19
- 20
- 10

OMEGA INFERIORE APPOGGIO PUNTONI
P/N 9SC0110900V

OMEGA INFERIORE FISSAGGIO STRUTTURA
9SC0110700V

STAFFA LATERALE FISSAGGIO
STAFFA INFERIORE
P/N 9SC0110300V

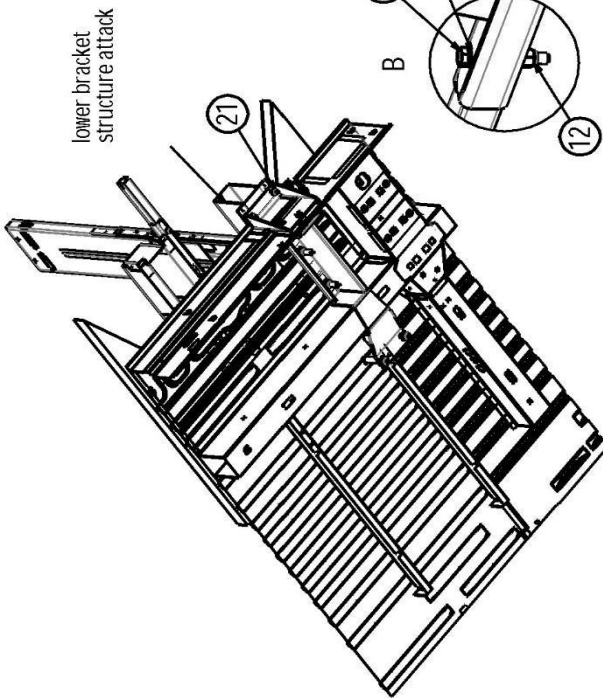
STAFFA SPESORE LATERALE
PER STRUTTURA INFERIORE
P/N 9SC0097600V

STAFFA INFERIORE ATTACCO STRUTTURA
P/N 9SC0097400V

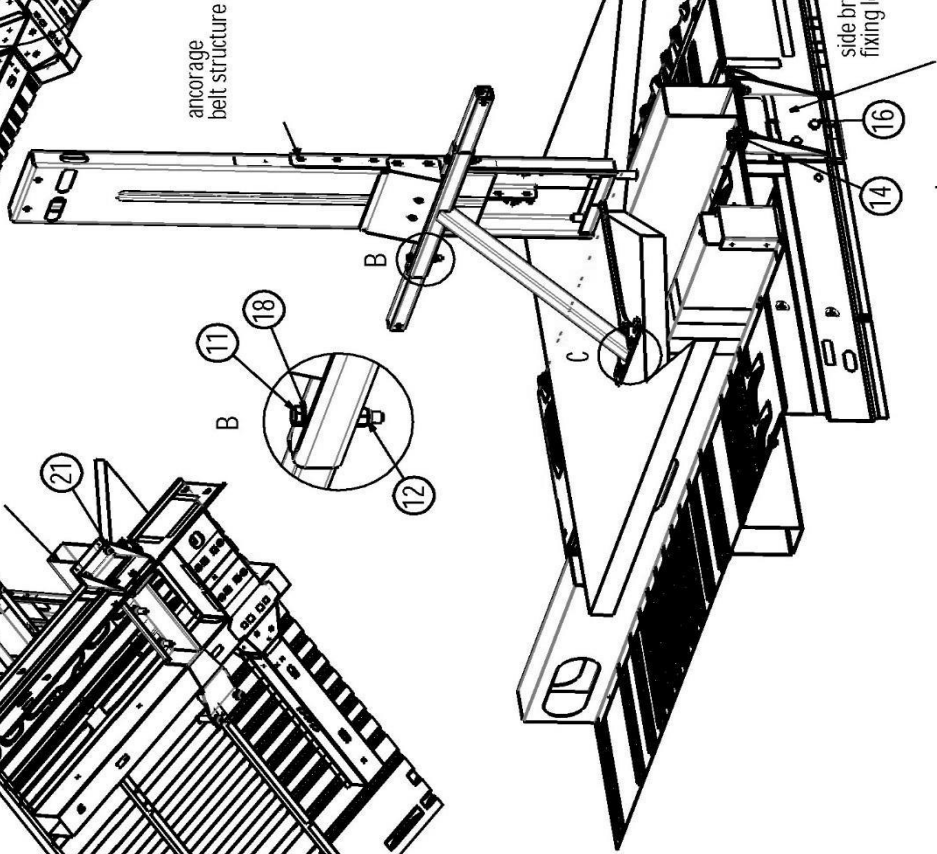
LA STRUTTURA 9SC01060XXV01, I RELATIVI COMPONENTI DI ANCORAGGIO POSSONO ESSERE INSTALLATI IN POSIZIONE FRONTE MARCIA E/O CONTROMARCIA, E/O SPECULARI RISPETTO LA LINEA LONGITUDINALE MEDIANA DEL VEICOLO. CON QUESTA CONFIGURAZIONE IL SISTEMA HA UN GRADO DI LIBERTA.

| | | | | | |
|--|-------------|--|------------|------------|------------|
| REV. | DESCRIPTION | DONE | VERIFIED | DATE | |
| MASS. | MATERIAL | UNI EN 22798-1 TOLERANCE EXCEPT FROM WHERE INDICATED, LAKE | | | |
| SUPERFICIAL CHEMICAL TREATMENT | | PAINTING | f | m | c |
| NUMBER FILE - REVISIONE | | 95W01180000_01 | | | |
| ORGAN. | | DATE | DATE | DATE | DATE |
| DESIGNED | | 02/02/2018 | 02/02/2018 | 02/02/2018 | 02/02/2018 |
| CHECKED | | | | | |
| DRAWN | | | | | |
| SCALE | | SCALE 2 | | | |
| PAPER | | PAPER A2 | | | |
| DOWNSHA | | DOWNSHA | | | |
| DESCRIPTION | | KIT DI MONTAGGIO | | | |
| P/N | | 5KV0111300X00 | | | |
| <small>CTA S.r.l. - PROPERTY - NO REPRODUCTION - FIXED TERM LAW RIGHTS</small> | | | | | |

| PN | DESCRIPTION | MASS |
|--------------|------------------|------|
| 5KV011301X00 | KIT DI MONTAGGIO | |
| RAW MATERIAL | QTY | NOTE |
| OP SEQ | DESCRIPTION | NOTE |
| 1 | | |
| 2 | | |
| 3 | | |
| 4 | | |
| NEXT | | |

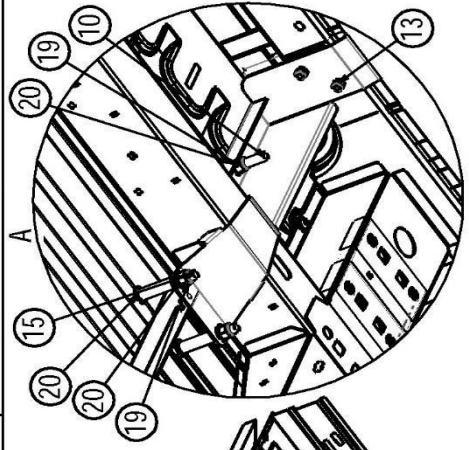


lower bracket structure attack



anchorage belt structure

side bracket fixing lower bracket



| POS. | PN | DESCRIPTION | QTY | PREVIEW |
|------|--|--------------------------------------|-----|---------|
| 20 | 1V100516001Z2 | RONELLA PIANA M12 FINALE UNI 6592 | 9 | |
| 19 | 1V100220013Z | INDUOTTA AUTOLUBRICANTE 7 IN DIN 985 | 6 | |
| 18 | 1V100520013Z | RONELLA PIANA M8X16 FINALE UNI 6592 | 1 | |
| 21 | M12 ANE DIN 982 | | 2 | |
| 17 | WOOD SCREW 10625 UNI 704 UNI 571 ZN | | 2 | |
| 16 | WIA TESTA ESCAVATORE ISI 4017_A_110_50 | | 2 | |
| 15 | M16X20 Screw UNI 5737 ZN | | 2 | |
| 14 | M12X16 Screw UNI 5739 ZN | | 2 | |
| 13 | 1V10021300200 | INDUOTTA DIN 982 | 2 | |
| 12 | 1V10023600200 | INDUOTTA AUTOLUBRICANTE | 2 | |
| 11 | 1V1013270023 | BOLLONE T.E. M8X30 UNI 6592 FINALE | 2 | |
| 10 | BARROTTI M12X800 | | 2 | |

| REV. | DESCRIPTION | DATE | DATE |
|------|-------------|------|------|
| 0 | | | |

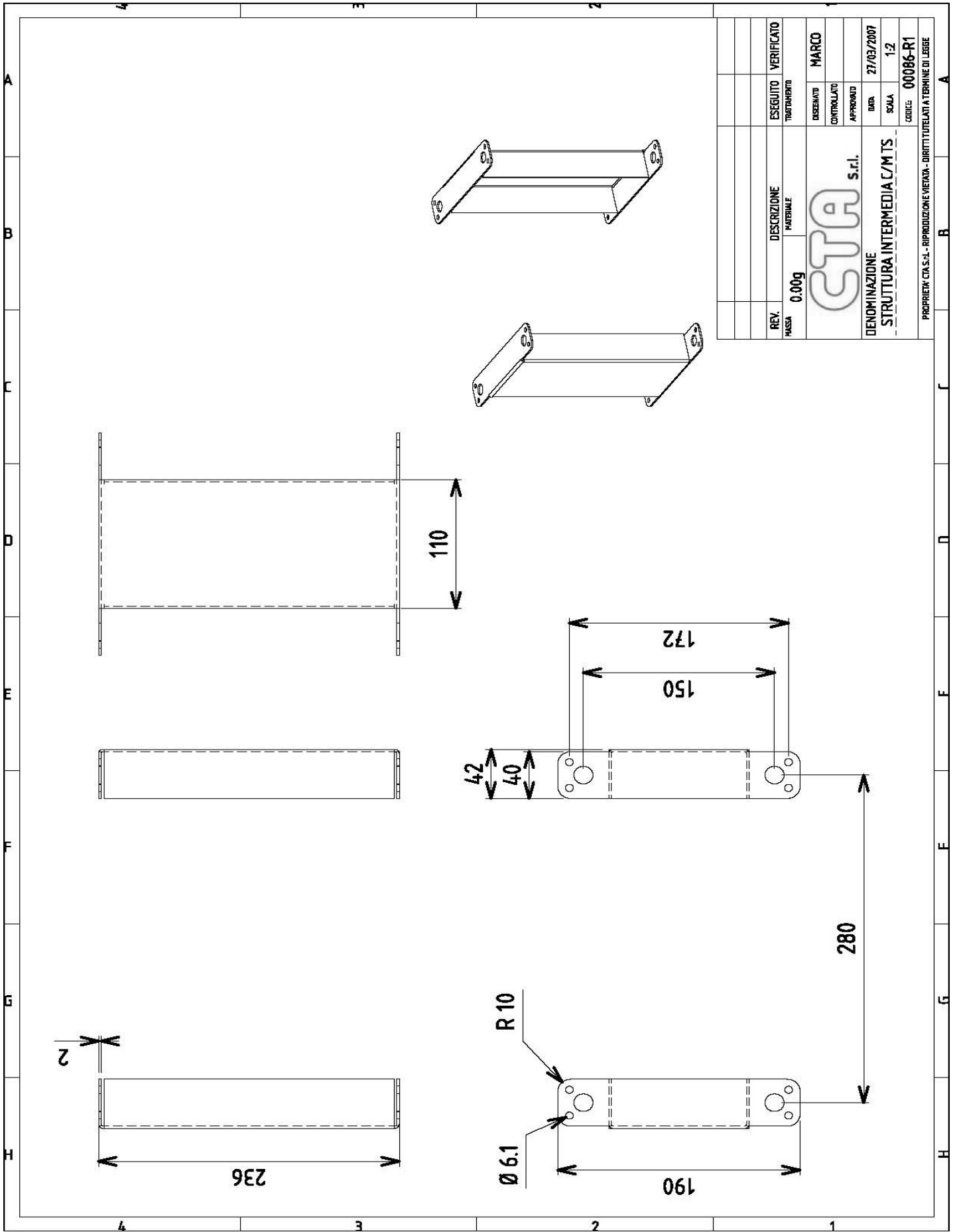
MATERIAL: M C V
 SUPERFICIAL CHEMICAL TREATMENT: PAINTING F
 IN VUE FILE - REVISIONE: 5KV011301X00_00

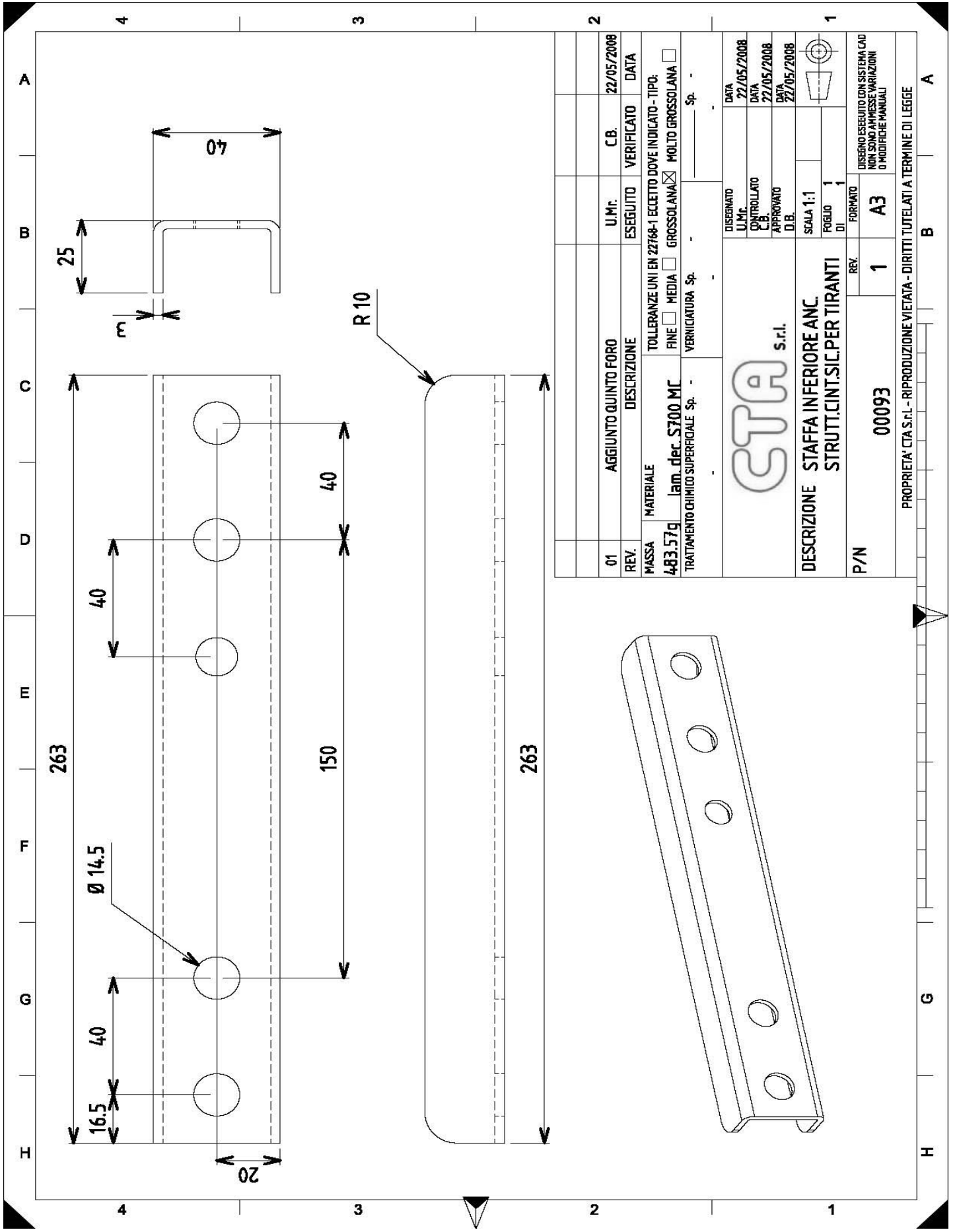
| DATE | TIME | OPERATION |
|------------|------|-----------|
| 13/03/2018 | | REV |
| 13/03/2018 | | DESIGNED |
| 13/03/2018 | | DRAWN |
| 13/03/2018 | | CHECKED |

SCALE: 1:1
 PAPER:
 LIBRARY:
 CAD DRAWING MANUAL CHANGES OR MODIFICATIONS ADMITTED

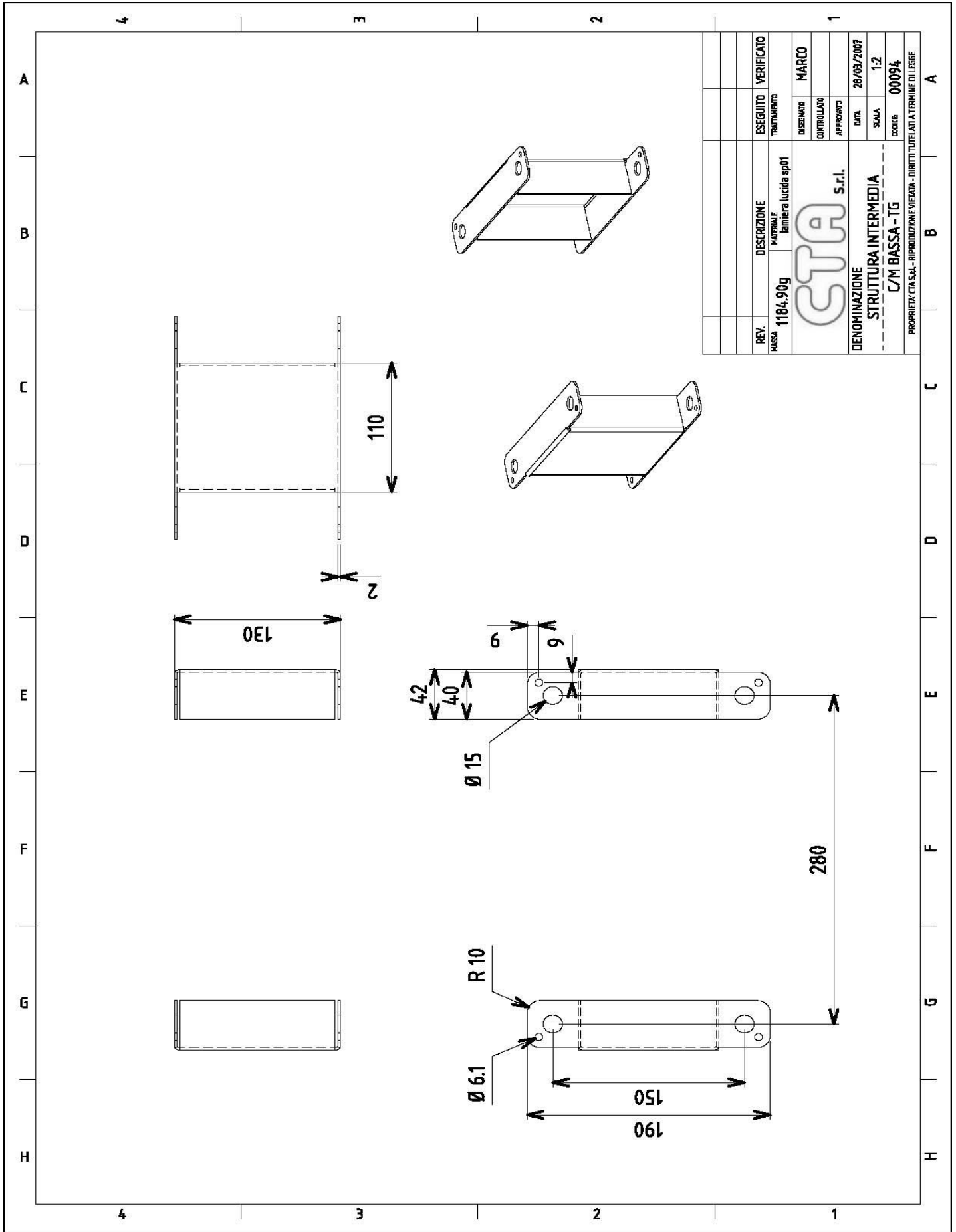
CTA s.r.l.
 DESCRIPTION: KIT DI MONTAGGIO
 P/N: 5KV011301X00
 A2

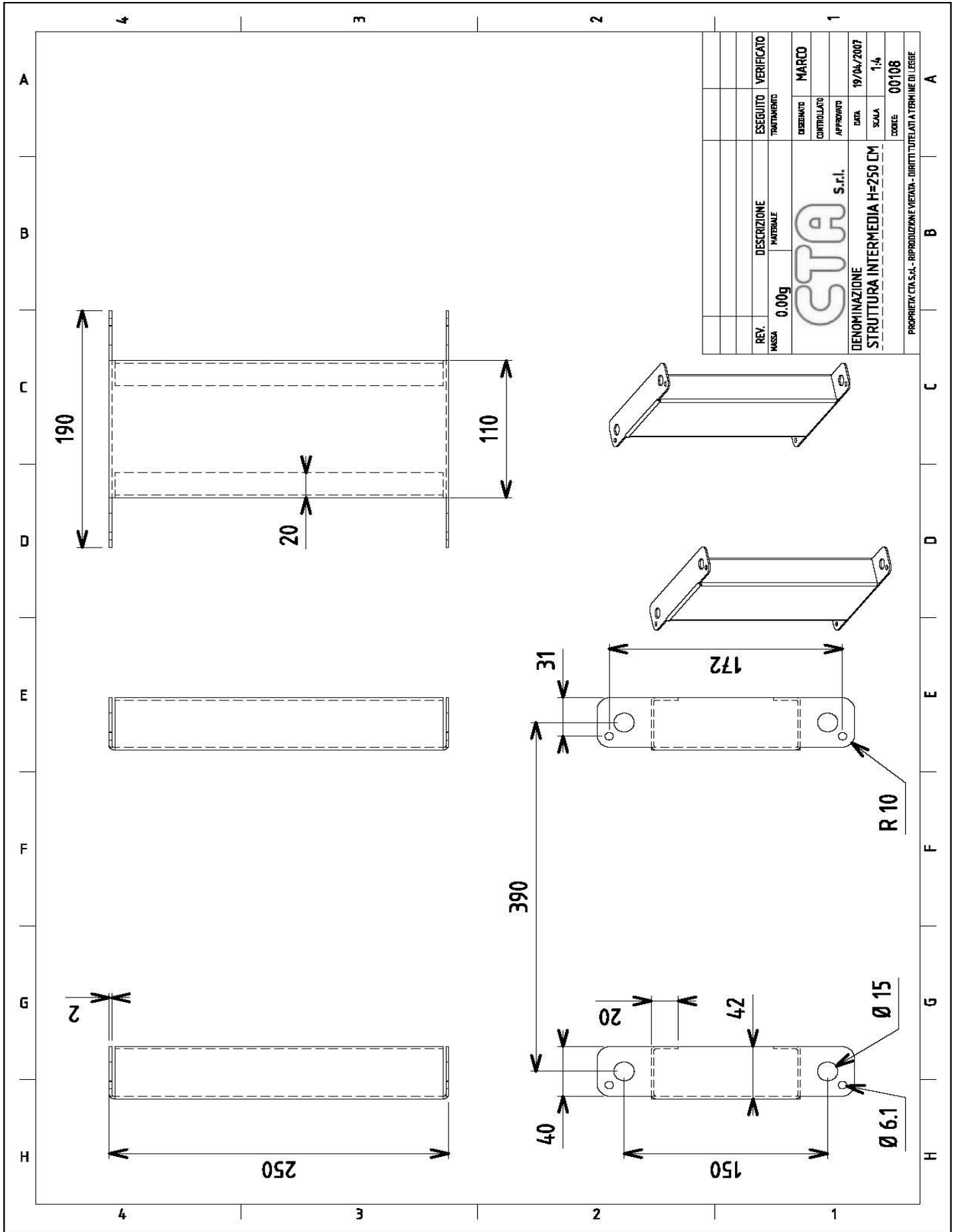
CTA S.r.l. - PROPERTY - NO REPRODUCTION - FIXED TERM LAWFUL RIGHTS



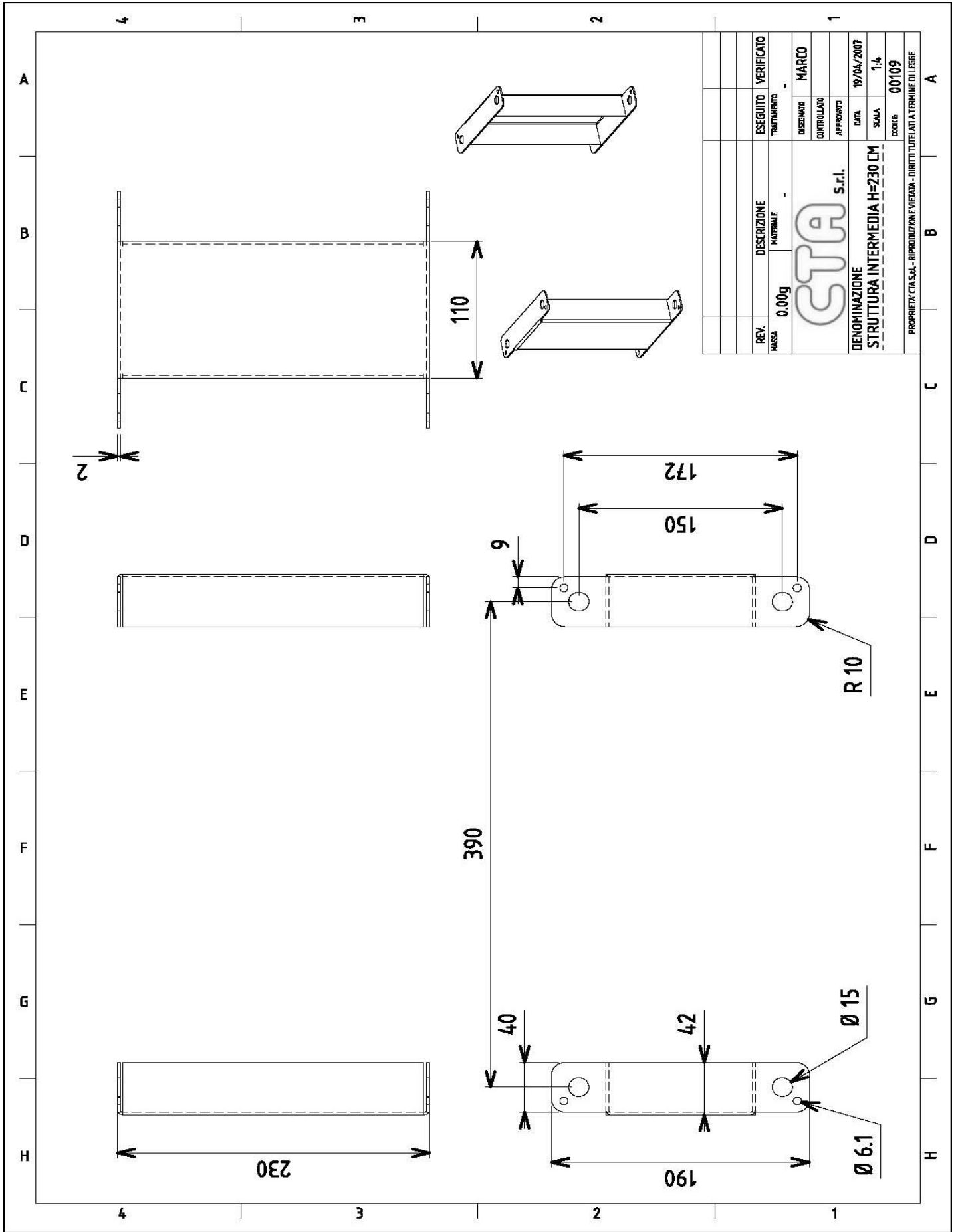


| | | | | |
|--|----------------------|---|----------------------------------|---|
| 01 | AGGIUNTO QUINTO FORO | U.M: | C.B. | 22/05/2008 |
| REV. | DESCRIZIONE | ESEGUITO | VERIFICATO | DATA |
| MASSA | MATERIALE | TOLLERANZE UNI EN 22768-1 ECCEPTE DOVE INDICATO - TIPO: | | |
| 483.57g | lam. dec. S700 MC | FINE | <input type="checkbox"/> MEDIA | <input type="checkbox"/> MOLTO GROSSOLANA |
| TRATTAMENTO CHIMICO SUPERFICIALE Sp. - | | VERNICIATURA Sp. - | | |
| | | DISGNATO | DATA | 22/05/2008 |
| | | U.M.C. | DATA | 22/05/2008 |
| | | C.B. | DATA | 22/05/2008 |
| | | APPROVATO | DATA | 22/05/2008 |
| DESCRIZIONE | | SCALA | 1:1 | |
| STAFFA INFERIORE ANC. | | FOLIO | 1 | |
| STRUTT.CINT.SIC.PER TIRANTI | | DI | 1 | |
| P/N | REV. | FORMATO | DISEGNO ESEGUITO CON SISTEMA CAD | |
| 00093 | 1 | A3 | NON SONO AMMESSE VARIAZIONI | |
| PROPRIETA' CTA S.r.l. - RIPRODUZIONE VIETATA - DIRITTI TUTELATI A TERMINE DI LEGGE | | | | |

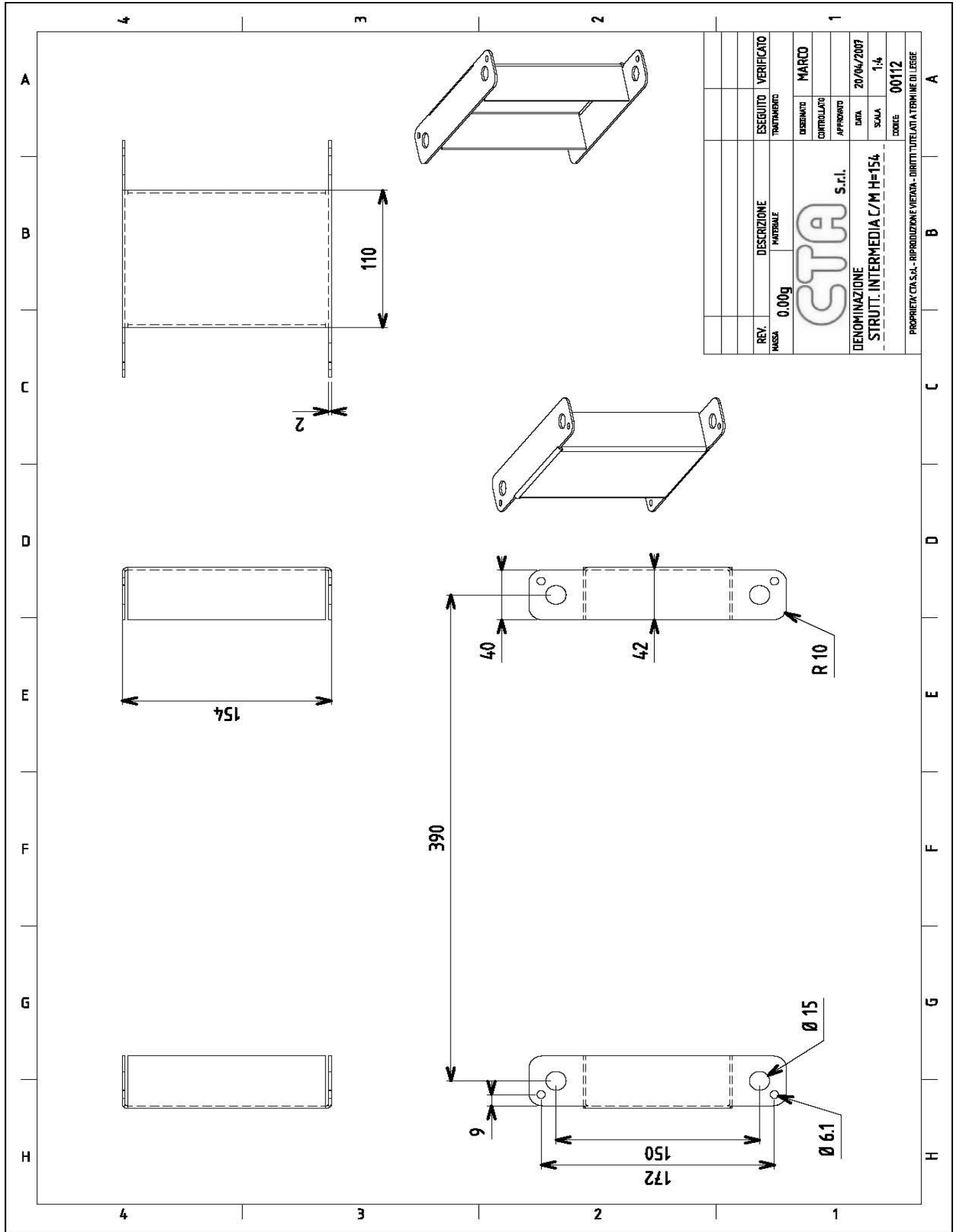




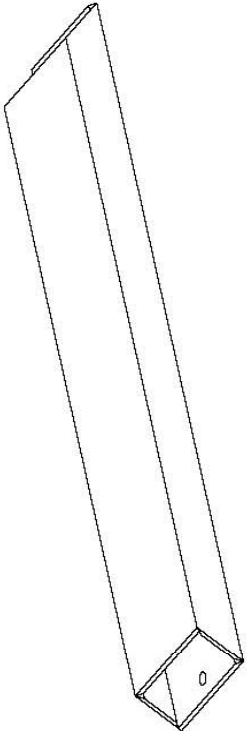
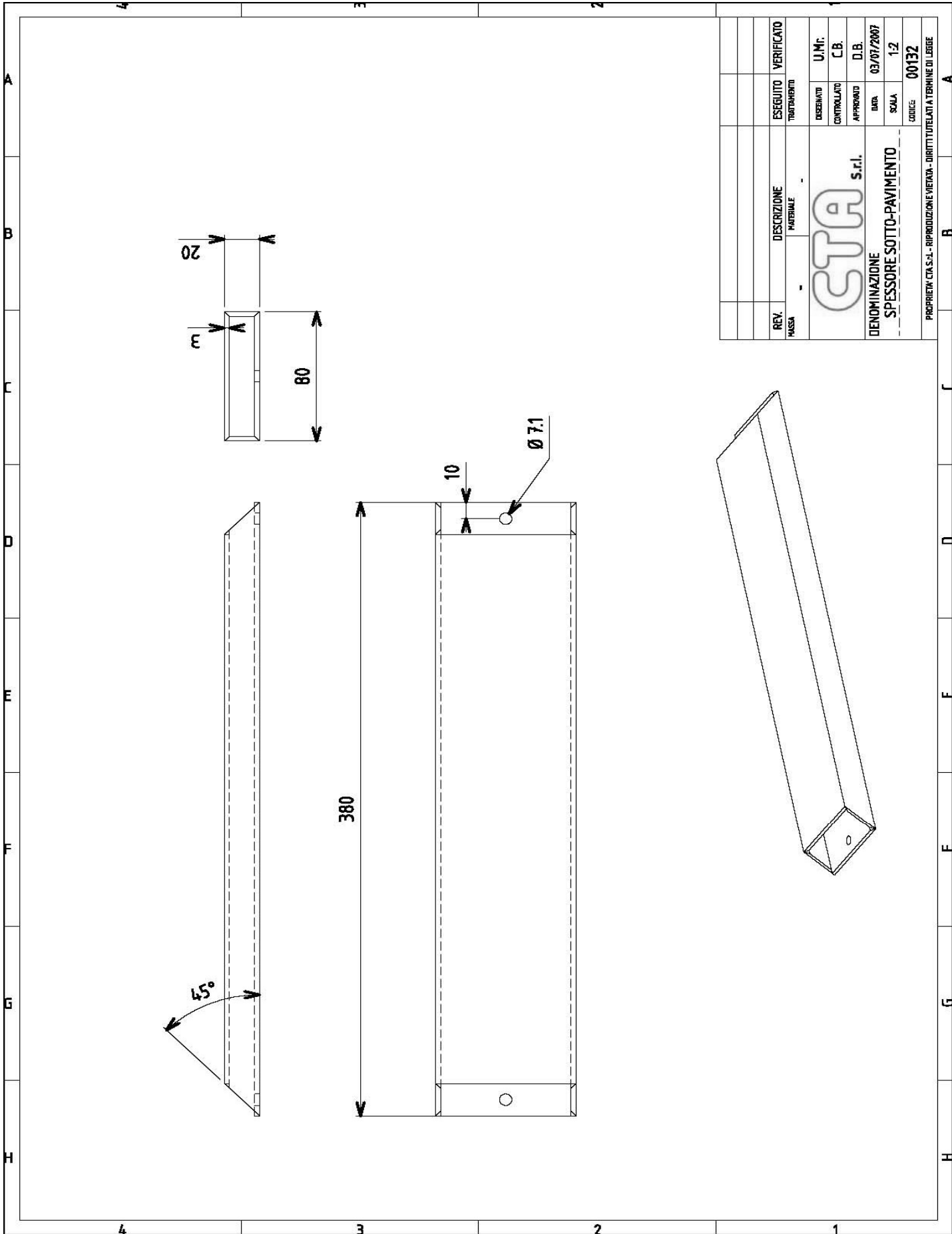
| | | | |
|---|-------------|-------------|------------|
| REV. | DESCRIZIONE | ESEGUITO | VERIFICATO |
| MASSA | MATERIALE | TRATTAMENTO | |
| 0.00g | | DESIGNATO | MARCO |
| | | CONTROLLATO | |
| | | APPROVATO | |
| | | DATA | 19/04/2007 |
| | | SCALA | 1-4 |
| | | CODICE | 00108 |
| CTA S.r.l. DENOMINAZIONE STRUTTURA INTERMEDIA H=250 CM PROPRIETA' CTA S.r.l. - RIPRODUZIONE VIETATA - DIRITTI TUTELATI A TERMI NE DI LEGGE | | | |



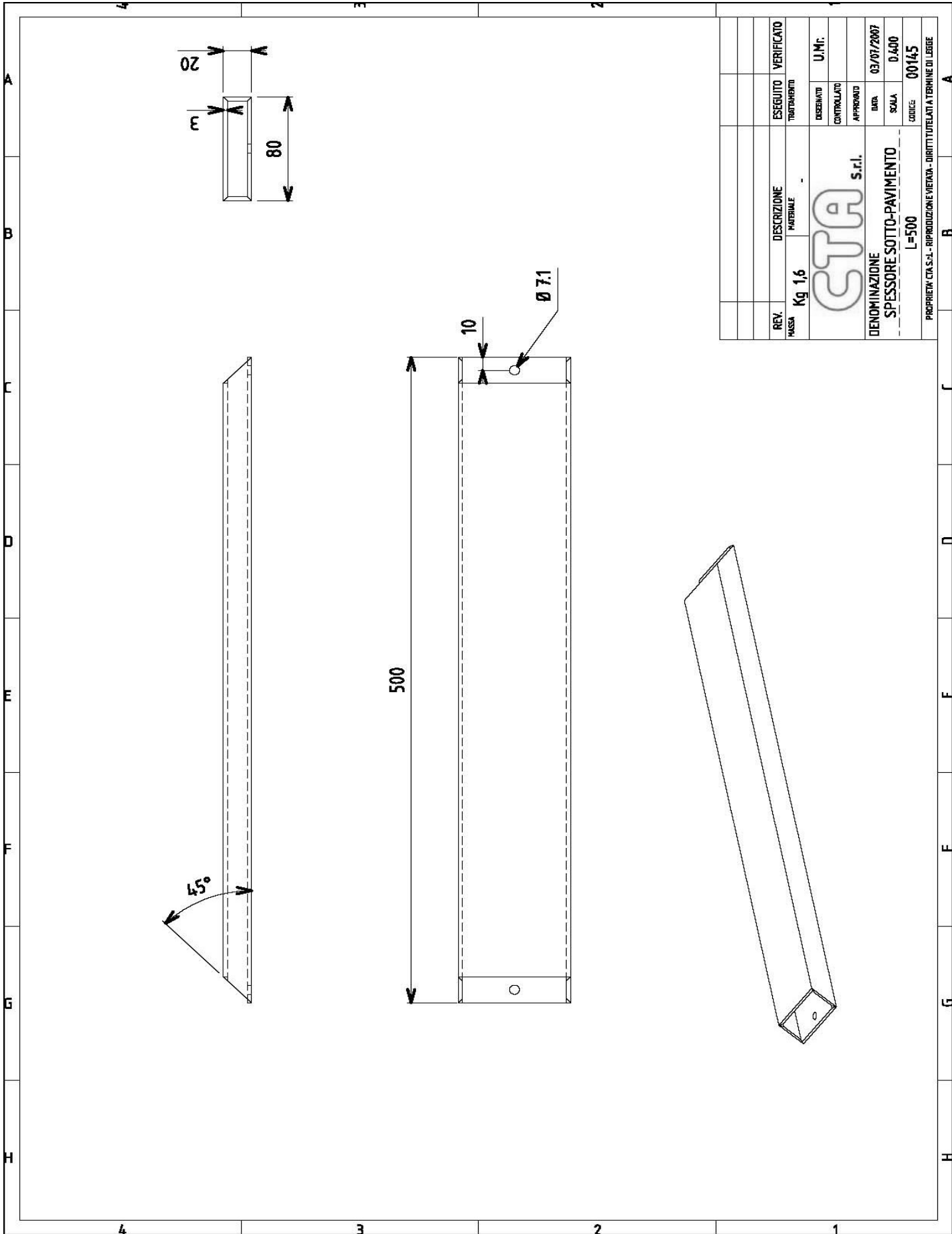
| | | | |
|--|-------------|------------|-------------|
| REV. | DESCRIZIONE | ESEGUITO | VERIFICATO |
| MASSA | MATERIALE | TATTAMENTO | |
| 0.00g | | | MARCO |
| | | DESIGNATO | CONTROLLATO |
| DENOMINAZIONE STRUTTURA INTERMEDIA H=230 CM | | APPROVATO | |
| | | DATA | 19/04/2007 |
| | | SCALA | 1-4 |
| | | CODICE | 00109 |
| <small>PROPRIETA' CTA S.r.l. - RIPRODUZIONE VIETATA - DIRITTI TUTELATI A TERMI NE DI LEGGE</small> | | | |



| | | | |
|---|-------------|-------------|------------|
| REV. | DESCRIZIONE | ESEGUITO | VERIFICATO |
| MASSA | MATERIALE | TATTAMENTO | |
| 0,00g | | | |
| CTA S.r.l. DENOMINAZIONE STRUTT. INTERMEDIA C/M H=154 | | DISEGNATO | MARCO |
| | | CONTROLLATO | |
| | | APPROVATO | |
| | | DATA | 20/04/2007 |
| | | SCALA | 1:4 |
| | | CODICE | 00112 |
| PROPRIETÀ CTA S.p.A. - RIPRODUZIONE VIETATA - DIRITTI TUTELATI A TERMINI DI LEGGE | | | |

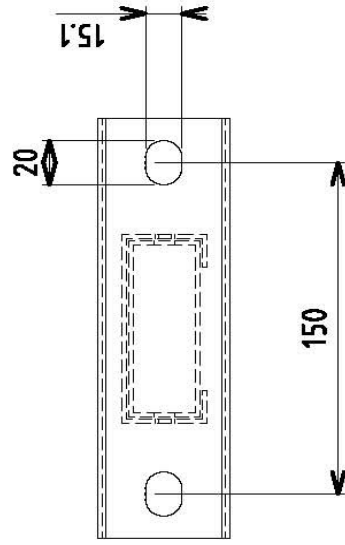
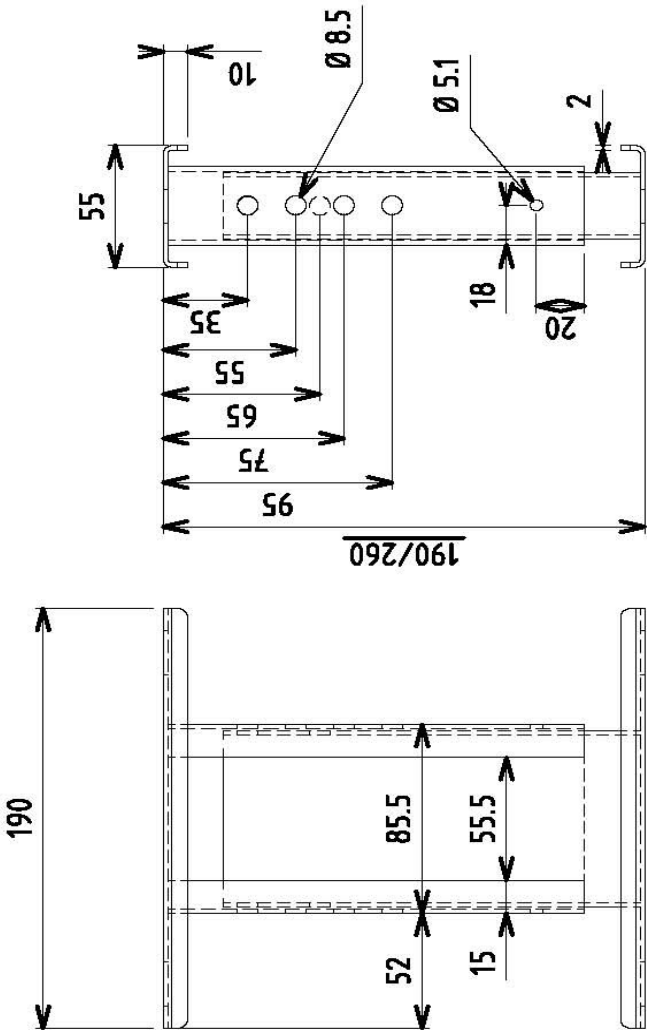


| | | | |
|---|-------------|-------------|------------|
| REV. | DESCRIZIONE | ESEGUITO | VERIFICATO |
| PAUSA | PARZIALE | TRATTAMENTO | |
| CTA S.r.l. | | | |
| DENOMINAZIONE | | DISEGNATO | U.M.F. |
| SPESSORE SOTTO-PAVIMENTO | | CONTROLLATO | C.B. |
| | | APPROVATO | D.B. |
| | | DATA | 03/07/2007 |
| | | SCALA | 1:2 |
| | | CODICE | 00132 |
| <small>PROPRIETA' CTA S.r.l. - RIPRODUZIONE VIETATA - DIRITTI TUTELATI A TERMINE DI LEGGE</small> | | | |



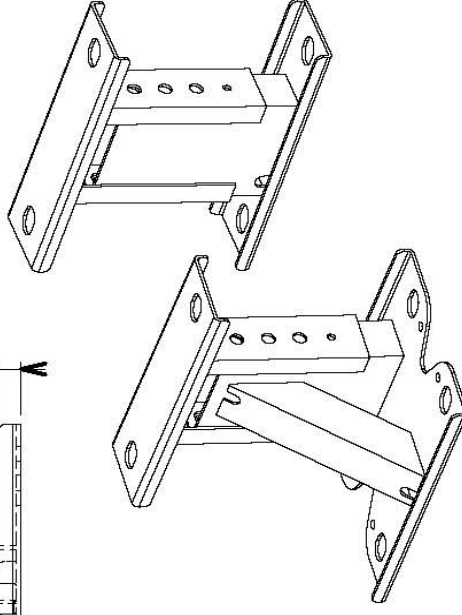
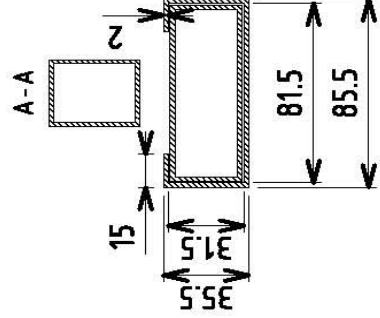
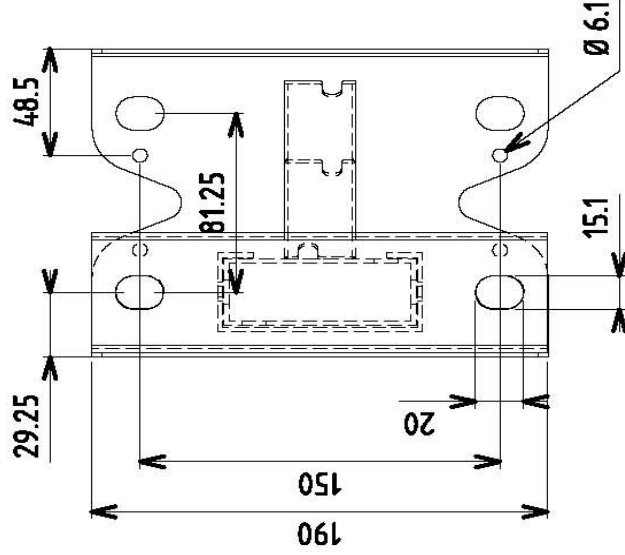
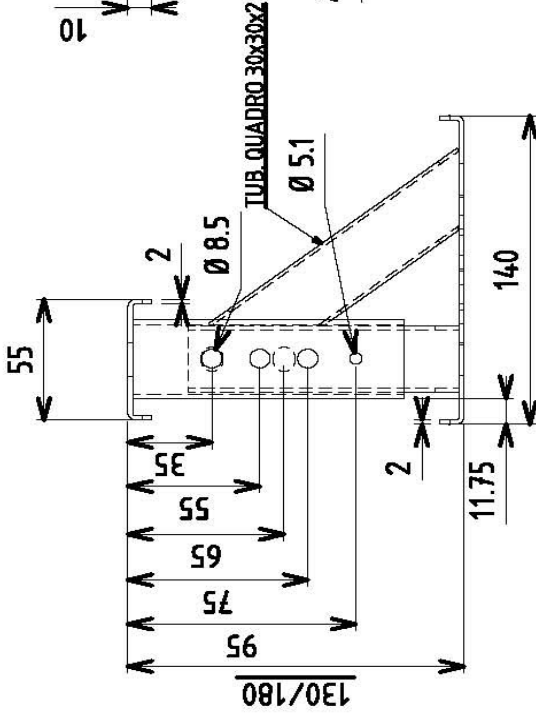
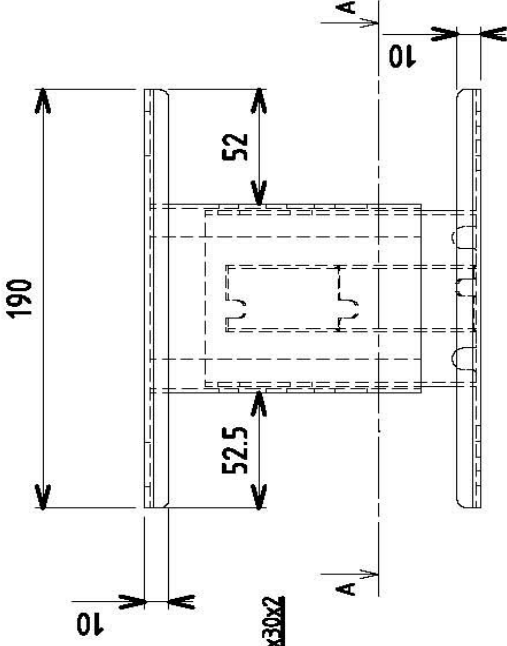
| | | | |
|---|-------------|-------------|------------|
| REV. | DESCRIZIONE | ESEGUITO | VERIFICATO |
| MASSA | MATERIALE | TRATTAMENTO | |
| Kg 1,6 | - | DISEGNATO | U.M.F. |
| | | CONTROLLATO | |
| | | APPROVATO | |
| DENOMINAZIONE | | DATA | 03/07/2007 |
| SPessore SOTTO-PAVIMENTO | | SCALA | 0,400 |
| L=500 | | CODICE | 00145 |
| PROPRIETÀ CTA S.r.l. - RIPRODUZIONE VIETATA - DIRITTI TUTELATI A TERMINE DI LEGGE | | | |

CTA
S.r.l.



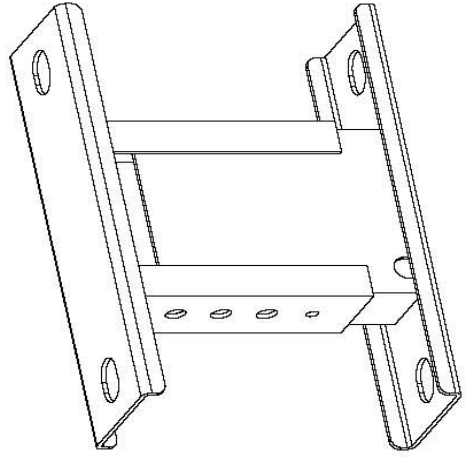
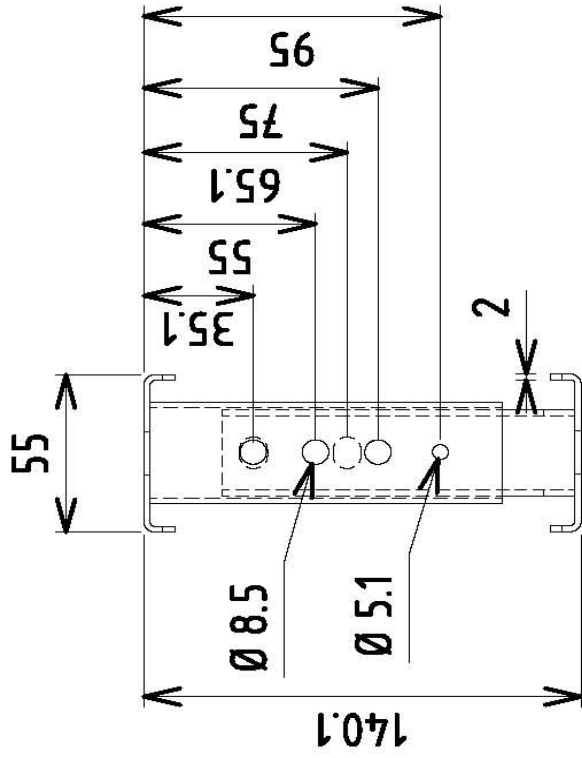
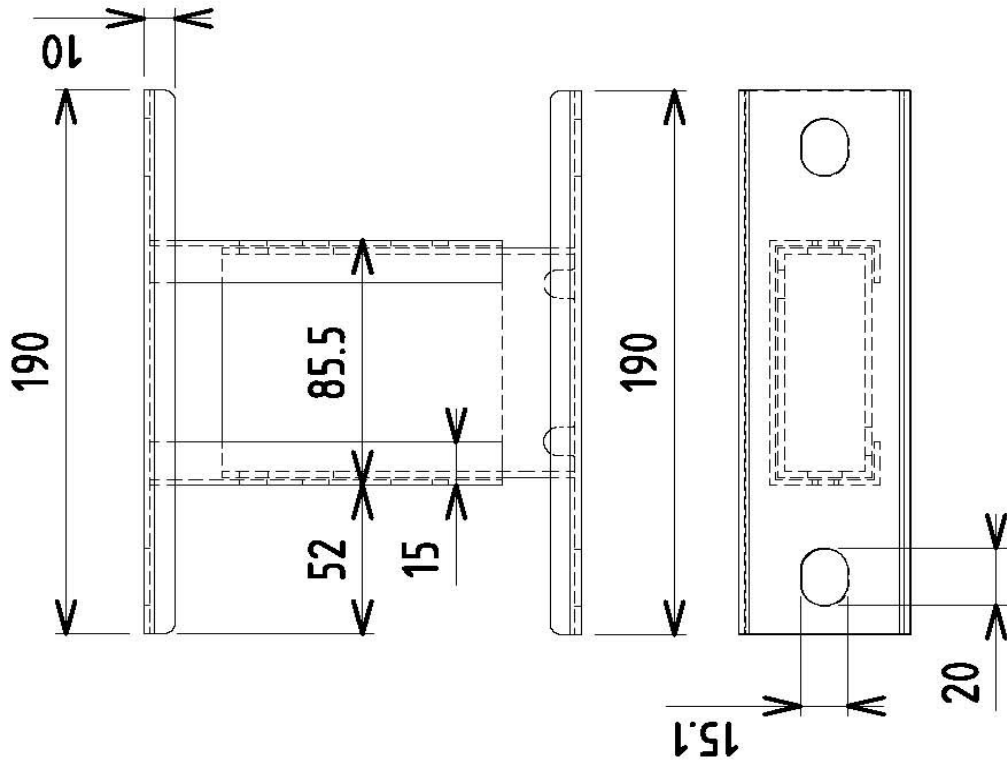
NB. ALTEZZE POSSIBILI: 190-200-210-220-230-240-260

| REV. | DESCRIZIONE | ESISTENTE | VERIFICATO | DATA |
|--|--|-----------|------------|------|
| 1 | MATERIALE: <input type="checkbox"/> ALLUMINIO <input type="checkbox"/> INOX <input type="checkbox"/> ACCIAIO <input type="checkbox"/> BRASS DESCRIZIONE: <input type="checkbox"/> PNEUM. <input type="checkbox"/> MECC. <input type="checkbox"/> ELETTR. <input type="checkbox"/> IDRO. <input type="checkbox"/> TERM. <input type="checkbox"/> ALTRE | | | |
| <p> <input type="checkbox"/> PRODOTTO IN ITALIA <input type="checkbox"/> PRODOTTO IN ESTERO <input type="checkbox"/> PRODOTTO IN ITALIA E ASSEMBLATO IN ESTERO </p> | | | | |
| <p> CTA S.r.l. DESCRIZIONE: STRUTTI INTERM DA 190 A 260 P/N: 00169 PROPRIETA' C.T.A. S.p.A. - RIPRODUZIONE VIETATA - DIRITTI TUTTATI A TITOLINE DI BREVETTO </p> | | | | |



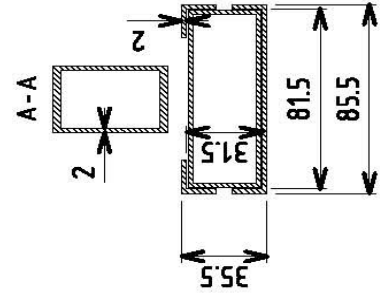
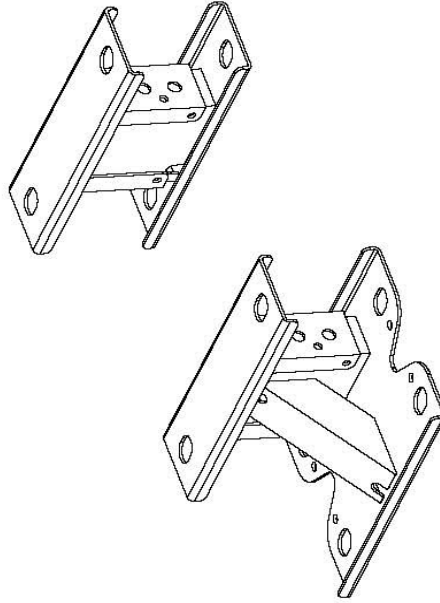
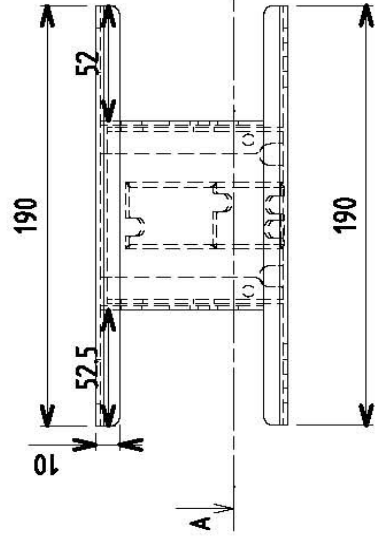
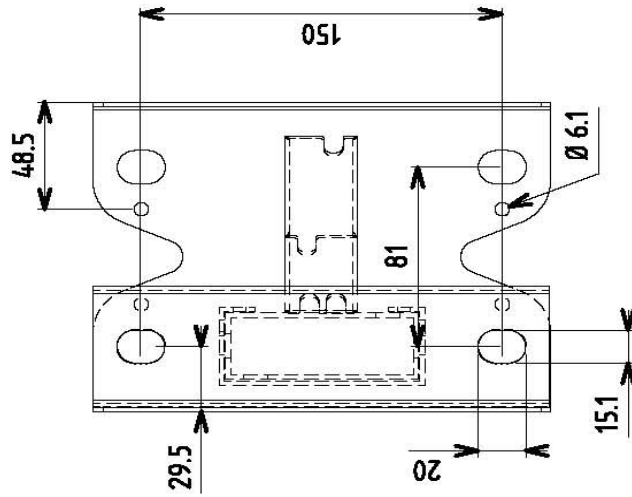
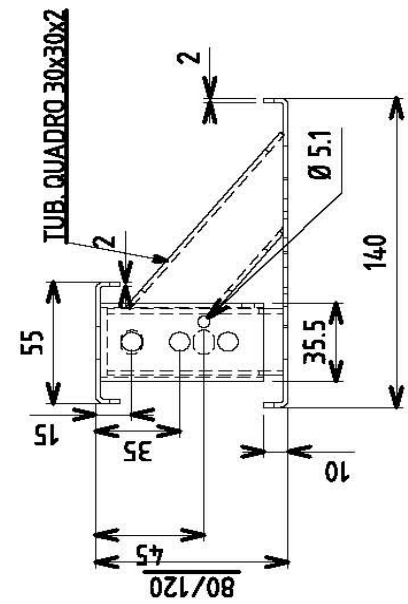
N.B. ALTEZZE POSSIBILI: 130-140-150-160-180

| | | | | |
|--|--------------|-------------------------------------|--------------|--------------|
| 2 | DESCRIZIONE | ESGUITO | VERIFICATO | DATA |
| 1 | MATERIALE | TRATTAMENTO | PRODOTTORE | PRODOTTORE |
| | 100% Acciaio | 100% Acciaio | 100% Acciaio | 100% Acciaio |
| | 100% Acciaio | 100% Acciaio | 100% Acciaio | 100% Acciaio |
| | 100% Acciaio | 100% Acciaio | 100% Acciaio | 100% Acciaio |
| | 100% Acciaio | 100% Acciaio | 100% Acciaio | 100% Acciaio |
| | 100% Acciaio | 100% Acciaio | 100% Acciaio | 100% Acciaio |
| DISCRIZIONE | | STRUTTI INTERMEDIA DA 130mm A 180mm | | |
| P/N | 00170 | 00 | A1 | 00 |
| PROPRIETA' COSTRUTTIVE: DIMENSIONI IN MILLEMETRI. UNITA' DI LUNGHEZZA IN MILLEMETRI. | | | | |



N.B.
ALTEZZE POSSIBILI: 130-140-150-160-180

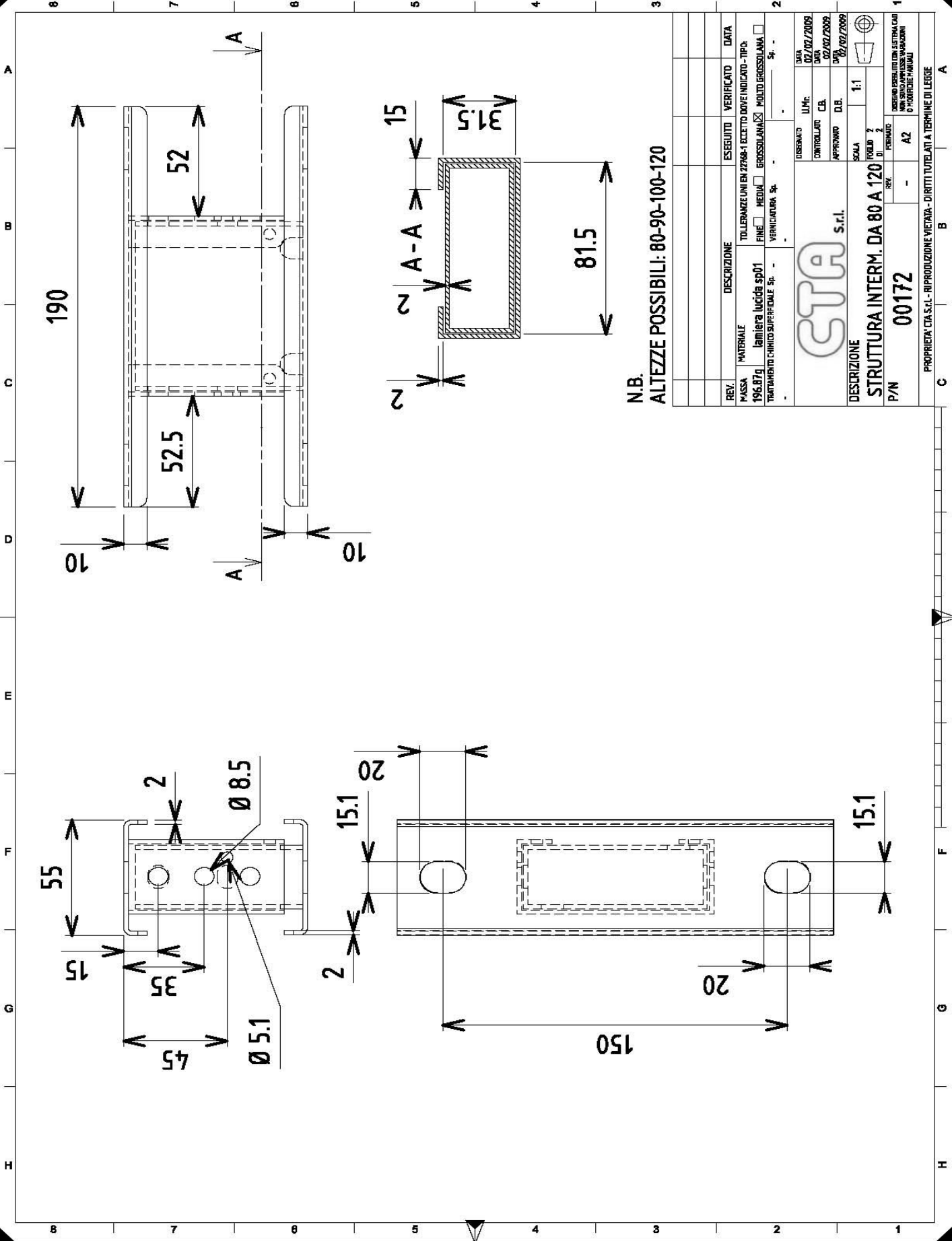
| | | | | |
|---|-------------------------|------------|------------|------------|
| STATO | DESCRIZIONE | ESEGUITO | VERIFICATO | DATA |
| PRODOTTORE | PRODOTTORE | PRODOTTORE | PRODOTTORE | PRODOTTORE |
| 7002.09 | Strutti in acciaio inox | PRODOTTORE | PRODOTTORE | PRODOTTORE |
| PRODOTTORE | PRODOTTORE | PRODOTTORE | PRODOTTORE | PRODOTTORE |
| CTA S.r.l. | | | | |
| DESCRIZIONE | | | | |
| STRUTTI INTERMEDIA DA 130mm A 180mm | | | | |
| P/N | 00170 | 00 | A1 | 1 |
| PRODOTTORE: C.T.A. S.p.A. - VIA S. GIUSEPPE, 10 - 20139 MILANO - ITALIA | | | | |



N.B.
ALTEZZE POSSIBILI: 80-90-100-120

| REV. | MATERIALE | DESCRIZIONE | ESEGUITO | VERIFICATO | DATA |
|------|-----------|-------------------------------|----------|------------|------|
| 1 | 103.7730 | STRUTTURA INTERM. DA 80 A 120 | | | |
| 2 | 103.7730 | STRUTTURA INTERM. DA 80 A 120 | | | |

| | |
|-------------|-------------------------------|
| PRODOTTORE | CTA S.r.l. |
| DESCRIZIONE | STRUTTURA INTERM. DA 80 A 120 |
| PRODOTTORE | CTA S.r.l. |
| PRODOTTORE | CTA S.r.l. |
| PRODOTTORE | CTA S.r.l. |
| PRODOTTORE | CTA S.r.l. |
| PRODOTTORE | CTA S.r.l. |
| PRODOTTORE | CTA S.r.l. |
| PRODOTTORE | CTA S.r.l. |



N.B.
ALTEZZE POSSIBILI: 80-90-100-120

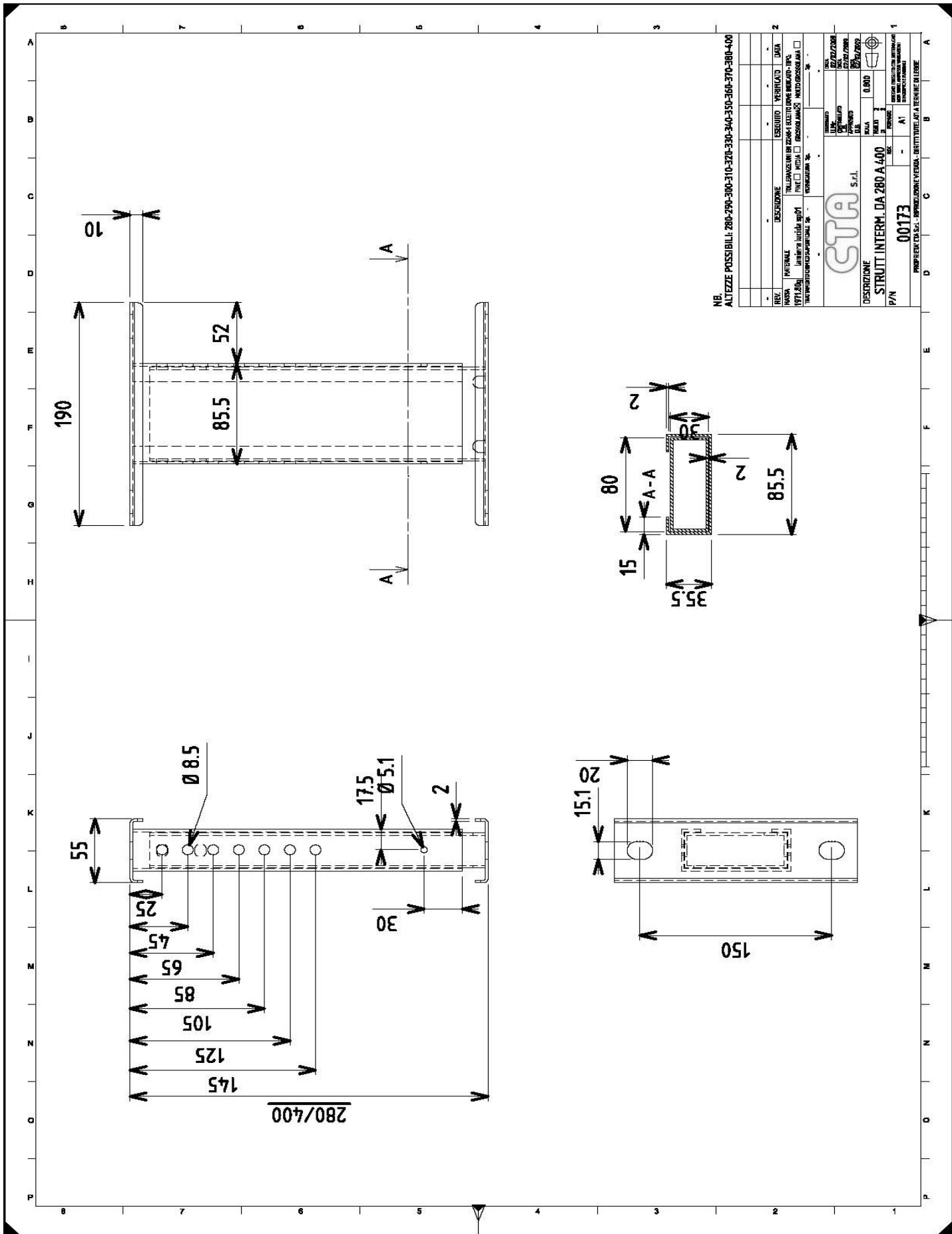
| REV. | DESCRIZIONE | ESEGUITO | VERIFICATO | DATA |
|------|--|----------|------------|------|
| 1 | MATERIALE lamiera lucida sp01 | | | |
| 2 | TOLLERANZE UNI EN 22868-1 ECCEPTE DOVE INDICATO - TIPO: FINE <input type="checkbox"/> MEDIA <input checked="" type="checkbox"/> GROSSOLANA <input type="checkbox"/> | | | |
| 3 | TREATMENTI CHIMICI SUPERFICIALI Sp. - VERNICIATURA Sp. - | | | |

| | | |
|-------------|--------|------------|
| DISIGNATO | U.M.C. | DATA |
| CONTROLLATO | C.B. | 02/02/2009 |
| APPROVATO | D.B. | 02/02/2009 |

| | | |
|-------------------------------|--------|-----|
| DESCRIZIONE | SCALA | 1:1 |
| STRUTTURA INTERM. DA 80 A 120 | FOGLIO | 2 |
| P/N | REV. | A2 |
| 00172 | | |

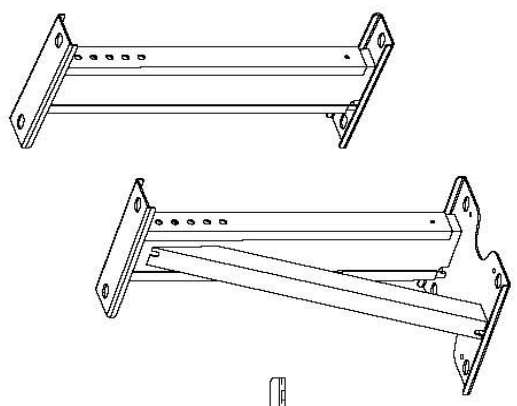
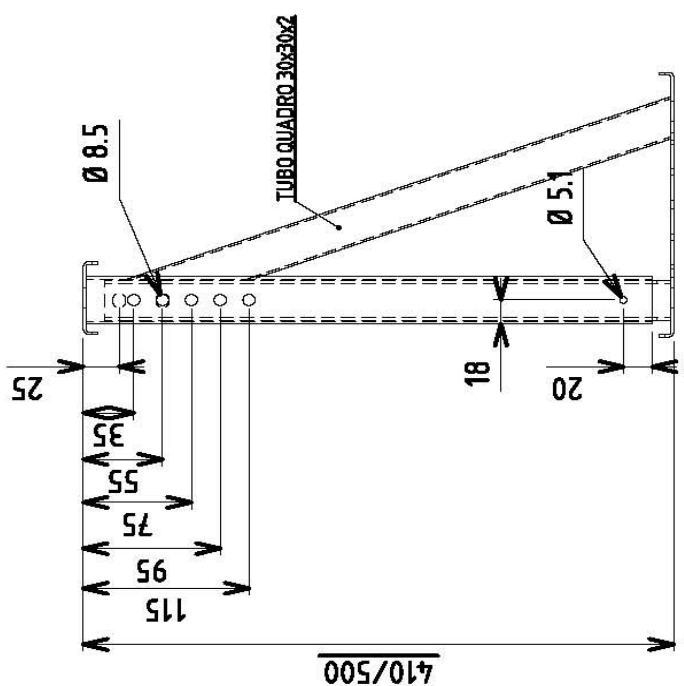
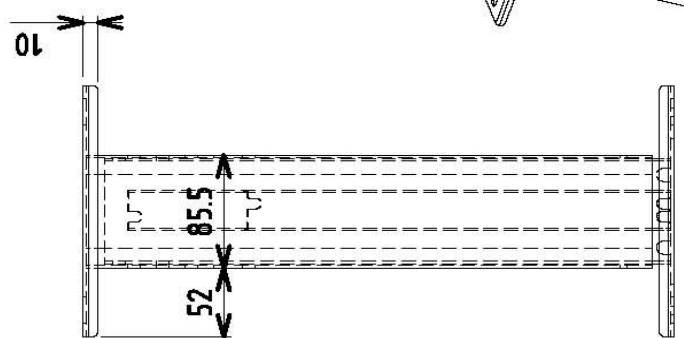
CTA S.r.l.

PROPRIETA' CTA S.r.l. - RIPRODUZIONE VIETATA - DIRITTI TUTELATI A TERMINE DI LEGGE



NB. ALTEZZE POSSIBILI: 280-290-300-310-320-330-340-350-360-370-380-400

| | | |
|---|--------------------------------|------|
| DESCRIZIONE | VERIFICATO | DATA |
| INTEGRALE | INSTRUMENTI PER VERIFICHE | |
| 100% INCL. LUBRIF. OIL | INTEG. MONT. E | |
| INSTRUMENTAZIONE PER VERIFICHE | INSTRUMENTAZIONE PER VERIFICHE | |
| | | |
| DESTRIZIONE STRUTT. INTERM. DA 280 A 400 | | |
| P/N 00173 | | |
| <small>PROFILI COL. S. - DIMENSIONI VISUALI - UNITA' DI LINGUA ITALIANA</small> | | |



N.B. ALTEZZE POSSIBILI: 410-430-440-450-460-470-480-500

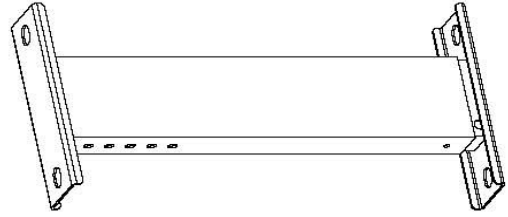
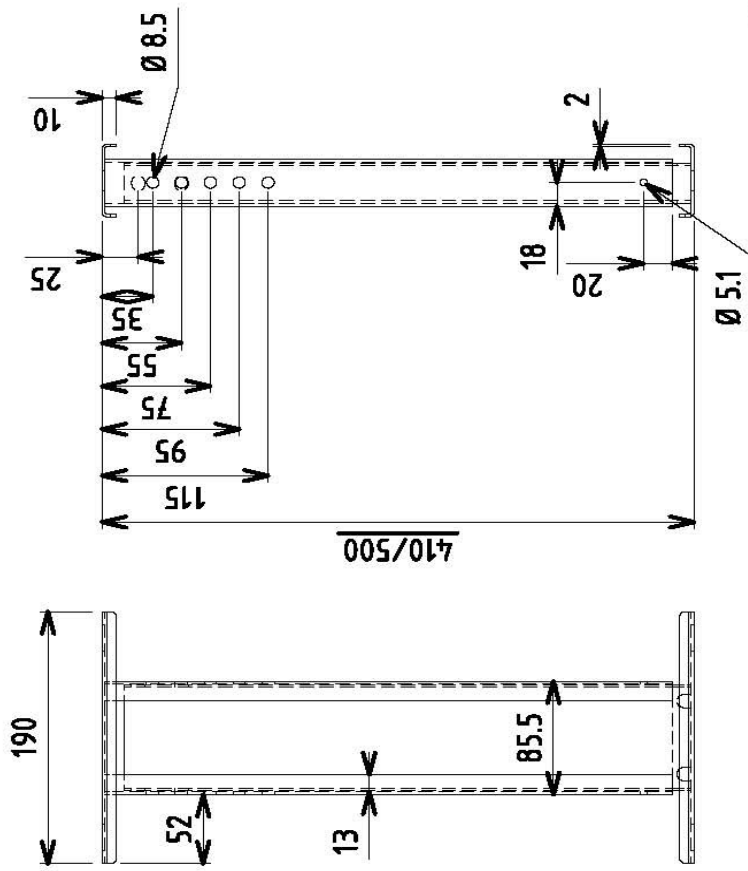
| | | | | |
|-----------|-----------------------------|----------|------------|------|
| REVISIONE | DESCRIZIONE | ESEGUITO | VERIFICATO | DATA |
| 1 | STRUTTI INTERNI DA 420x 500 | | | |
| 2 | STRUTTI INTERNI DA 420x 500 | | | |
| 3 | STRUTTI INTERNI DA 420x 500 | | | |
| 4 | STRUTTI INTERNI DA 420x 500 | | | |
| 5 | STRUTTI INTERNI DA 420x 500 | | | |
| 6 | STRUTTI INTERNI DA 420x 500 | | | |
| 7 | STRUTTI INTERNI DA 420x 500 | | | |
| 8 | STRUTTI INTERNI DA 420x 500 | | | |
| 9 | STRUTTI INTERNI DA 420x 500 | | | |
| 10 | STRUTTI INTERNI DA 420x 500 | | | |
| 11 | STRUTTI INTERNI DA 420x 500 | | | |
| 12 | STRUTTI INTERNI DA 420x 500 | | | |
| 13 | STRUTTI INTERNI DA 420x 500 | | | |
| 14 | STRUTTI INTERNI DA 420x 500 | | | |
| 15 | STRUTTI INTERNI DA 420x 500 | | | |
| 16 | STRUTTI INTERNI DA 420x 500 | | | |
| 17 | STRUTTI INTERNI DA 420x 500 | | | |
| 18 | STRUTTI INTERNI DA 420x 500 | | | |
| 19 | STRUTTI INTERNI DA 420x 500 | | | |
| 20 | STRUTTI INTERNI DA 420x 500 | | | |
| 21 | STRUTTI INTERNI DA 420x 500 | | | |
| 22 | STRUTTI INTERNI DA 420x 500 | | | |
| 23 | STRUTTI INTERNI DA 420x 500 | | | |
| 24 | STRUTTI INTERNI DA 420x 500 | | | |
| 25 | STRUTTI INTERNI DA 420x 500 | | | |
| 26 | STRUTTI INTERNI DA 420x 500 | | | |
| 27 | STRUTTI INTERNI DA 420x 500 | | | |
| 28 | STRUTTI INTERNI DA 420x 500 | | | |
| 29 | STRUTTI INTERNI DA 420x 500 | | | |
| 30 | STRUTTI INTERNI DA 420x 500 | | | |
| 31 | STRUTTI INTERNI DA 420x 500 | | | |
| 32 | STRUTTI INTERNI DA 420x 500 | | | |
| 33 | STRUTTI INTERNI DA 420x 500 | | | |
| 34 | STRUTTI INTERNI DA 420x 500 | | | |
| 35 | STRUTTI INTERNI DA 420x 500 | | | |
| 36 | STRUTTI INTERNI DA 420x 500 | | | |
| 37 | STRUTTI INTERNI DA 420x 500 | | | |
| 38 | STRUTTI INTERNI DA 420x 500 | | | |
| 39 | STRUTTI INTERNI DA 420x 500 | | | |
| 40 | STRUTTI INTERNI DA 420x 500 | | | |
| 41 | STRUTTI INTERNI DA 420x 500 | | | |
| 42 | STRUTTI INTERNI DA 420x 500 | | | |
| 43 | STRUTTI INTERNI DA 420x 500 | | | |
| 44 | STRUTTI INTERNI DA 420x 500 | | | |
| 45 | STRUTTI INTERNI DA 420x 500 | | | |
| 46 | STRUTTI INTERNI DA 420x 500 | | | |
| 47 | STRUTTI INTERNI DA 420x 500 | | | |
| 48 | STRUTTI INTERNI DA 420x 500 | | | |
| 49 | STRUTTI INTERNI DA 420x 500 | | | |
| 50 | STRUTTI INTERNI DA 420x 500 | | | |
| 51 | STRUTTI INTERNI DA 420x 500 | | | |
| 52 | STRUTTI INTERNI DA 420x 500 | | | |
| 53 | STRUTTI INTERNI DA 420x 500 | | | |
| 54 | STRUTTI INTERNI DA 420x 500 | | | |
| 55 | STRUTTI INTERNI DA 420x 500 | | | |
| 56 | STRUTTI INTERNI DA 420x 500 | | | |
| 57 | STRUTTI INTERNI DA 420x 500 | | | |
| 58 | STRUTTI INTERNI DA 420x 500 | | | |
| 59 | STRUTTI INTERNI DA 420x 500 | | | |
| 60 | STRUTTI INTERNI DA 420x 500 | | | |
| 61 | STRUTTI INTERNI DA 420x 500 | | | |
| 62 | STRUTTI INTERNI DA 420x 500 | | | |
| 63 | STRUTTI INTERNI DA 420x 500 | | | |
| 64 | STRUTTI INTERNI DA 420x 500 | | | |
| 65 | STRUTTI INTERNI DA 420x 500 | | | |
| 66 | STRUTTI INTERNI DA 420x 500 | | | |
| 67 | STRUTTI INTERNI DA 420x 500 | | | |
| 68 | STRUTTI INTERNI DA 420x 500 | | | |
| 69 | STRUTTI INTERNI DA 420x 500 | | | |
| 70 | STRUTTI INTERNI DA 420x 500 | | | |
| 71 | STRUTTI INTERNI DA 420x 500 | | | |
| 72 | STRUTTI INTERNI DA 420x 500 | | | |
| 73 | STRUTTI INTERNI DA 420x 500 | | | |
| 74 | STRUTTI INTERNI DA 420x 500 | | | |
| 75 | STRUTTI INTERNI DA 420x 500 | | | |
| 76 | STRUTTI INTERNI DA 420x 500 | | | |
| 77 | STRUTTI INTERNI DA 420x 500 | | | |
| 78 | STRUTTI INTERNI DA 420x 500 | | | |
| 79 | STRUTTI INTERNI DA 420x 500 | | | |
| 80 | STRUTTI INTERNI DA 420x 500 | | | |
| 81 | STRUTTI INTERNI DA 420x 500 | | | |
| 82 | STRUTTI INTERNI DA 420x 500 | | | |
| 83 | STRUTTI INTERNI DA 420x 500 | | | |
| 84 | STRUTTI INTERNI DA 420x 500 | | | |
| 85 | STRUTTI INTERNI DA 420x 500 | | | |
| 86 | STRUTTI INTERNI DA 420x 500 | | | |
| 87 | STRUTTI INTERNI DA 420x 500 | | | |
| 88 | STRUTTI INTERNI DA 420x 500 | | | |
| 89 | STRUTTI INTERNI DA 420x 500 | | | |
| 90 | STRUTTI INTERNI DA 420x 500 | | | |
| 91 | STRUTTI INTERNI DA 420x 500 | | | |
| 92 | STRUTTI INTERNI DA 420x 500 | | | |
| 93 | STRUTTI INTERNI DA 420x 500 | | | |
| 94 | STRUTTI INTERNI DA 420x 500 | | | |
| 95 | STRUTTI INTERNI DA 420x 500 | | | |
| 96 | STRUTTI INTERNI DA 420x 500 | | | |
| 97 | STRUTTI INTERNI DA 420x 500 | | | |
| 98 | STRUTTI INTERNI DA 420x 500 | | | |
| 99 | STRUTTI INTERNI DA 420x 500 | | | |
| 100 | STRUTTI INTERNI DA 420x 500 | | | |

CTA S.r.l.

STRUTTI INTERNI DA 420x 500

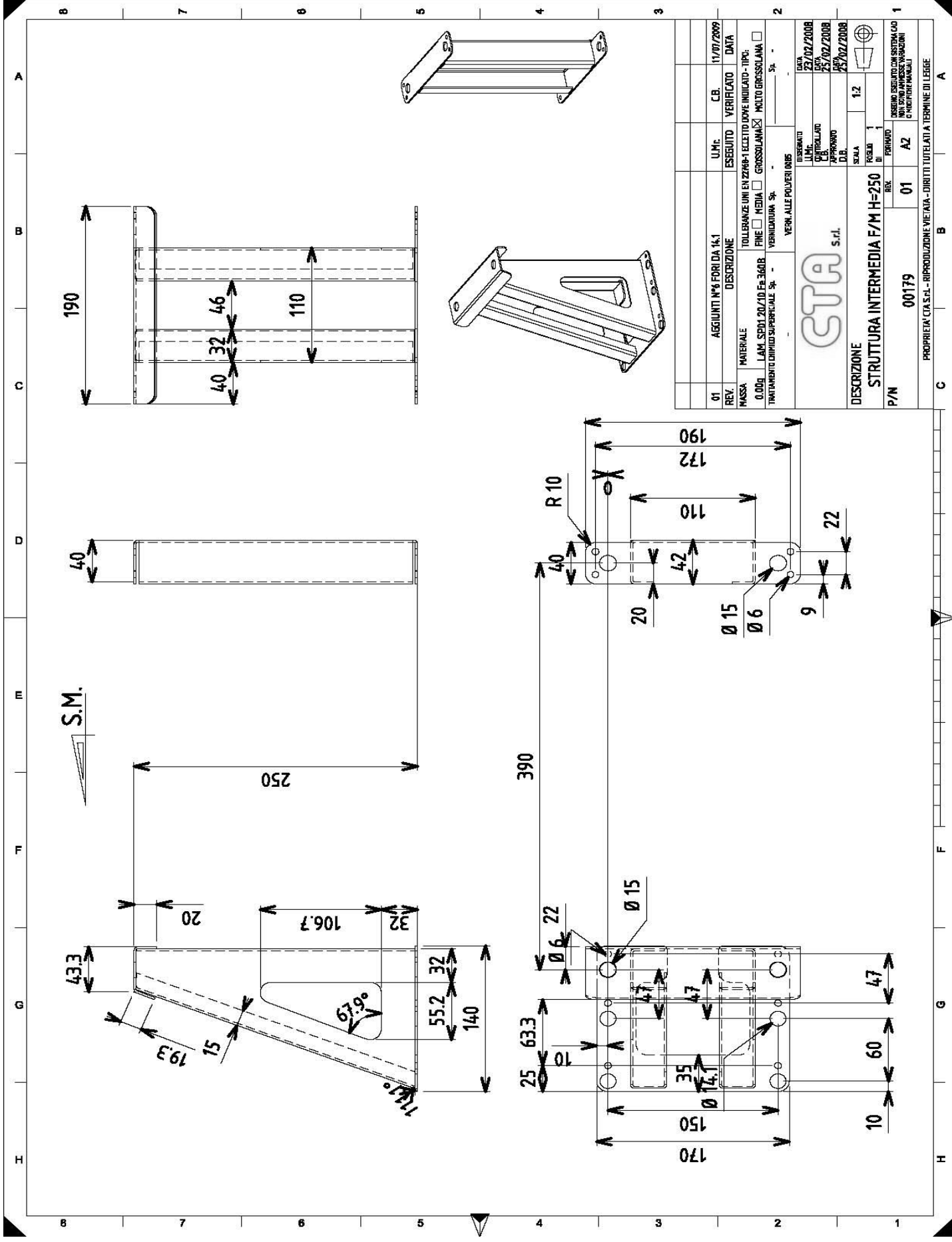
P/N 00176

PRODOTTO IN ITALIA - IMBALLAGGIO IN CARTONE

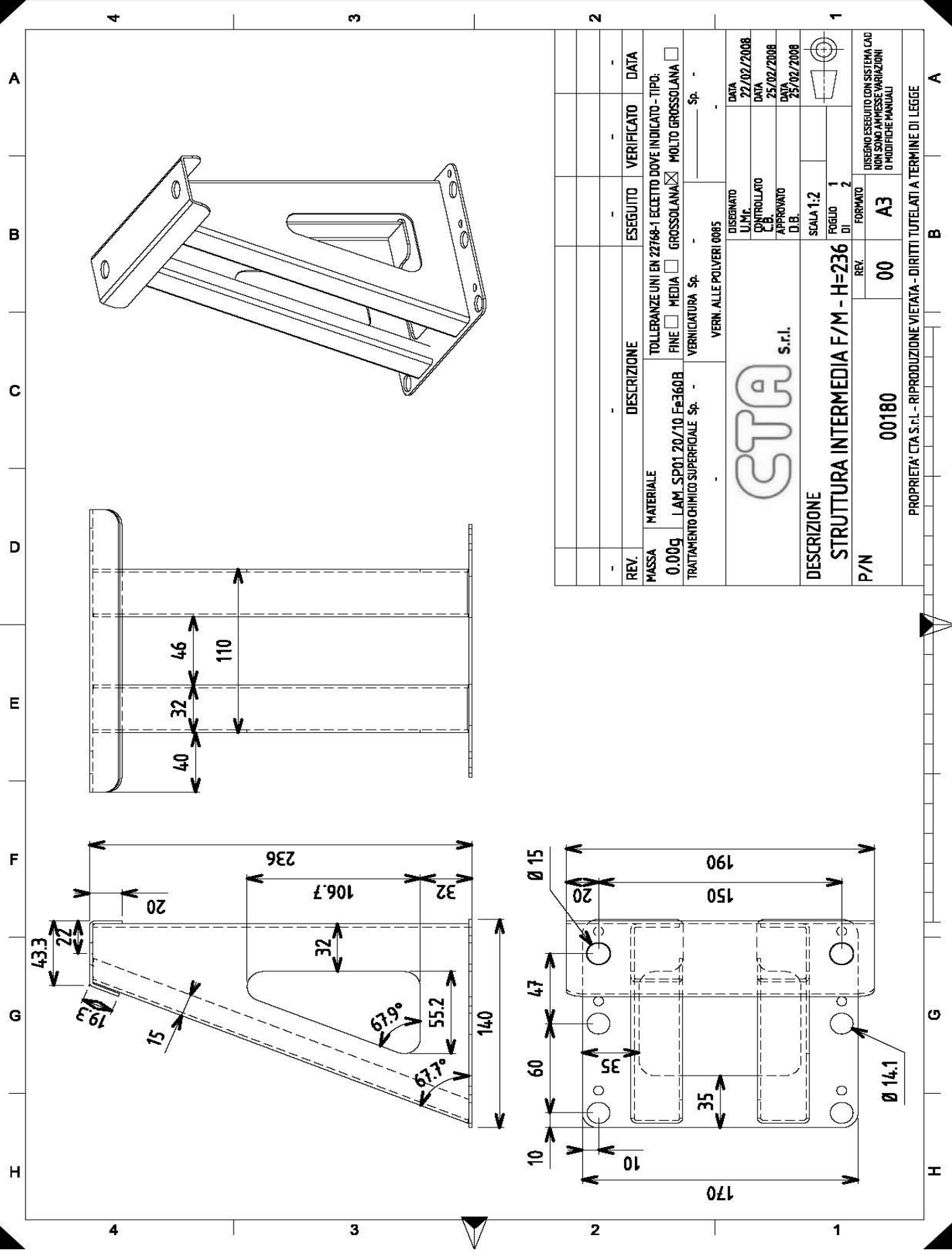


N.B.
ALTEZZE POSSIBILI: 420-430-440-450-460-470-480-500

| REV. | DESCRIZIONE | ESECUTIO | VERIFICATO | DATA |
|---|--|----------|------------|------|
| 001 | MATERIALE: TUBI IN ACCIAIO PERMANENTE DI QUALITÀ EN 10210-100 2780-5781 - BRACCIALE LUCIDA SPOT PANNELLI: NEON <input type="checkbox"/> LED <input type="checkbox"/> STRUTTURE: NEON <input type="checkbox"/> LED <input type="checkbox"/> Pannello in alluminio anodizzato 6063 T6 | | | |
| CTA S.r.l. | | | | |
| DESCRIZIONE STRUTTI INTERM DA 410x 500 | | | | |
| P/N 00176 | | | | |
| PROPRIETÀ: C.T.A. S.p.A. - RIPRODUZIONE VIETATA - DIRITTI RISERVATI A TORNARE DI LIBERE | | | | |



| | | | | |
|---|---|----------|-------------|------------|
| 01 | AGGIUNTI N°9 FORI DA 1x1 | UMc | CB. | 11/07/2009 |
| REV. | DESCRIZIONE | ESEGUITO | VERIFICATO | DATA |
| MASSA | TOLLERANZE UNI EN 22864-1 ECCEPTE DOVE INDICATO - TPC: | | | |
| 0.00g | FINE <input type="checkbox"/> MEDIA <input type="checkbox"/> GROSSOLANA <input checked="" type="checkbox"/> MOLTO GROSSOLANA <input type="checkbox"/> | | | |
| TATTAMENTO DENTRO SUPERFICIALE S: | VERNICIATURA S: | | | |
| | VERN. ALLE POLVERI DRES | | | |
| CTA S.r.l. DESCRIZIONE STRUTTURA INTERMEDIA F/M H=250 | | DATA | 23/02/2008 | |
| | | UMc | CONTROLLATO | |
| | | DATA | 25/02/2008 | |
| | | CB. | APPROVATO | |
| | | DATA | 25/02/2008 | |
| | | D.B. | | |
| | | SCALA | 1:2 | |
| | | FOGLIO | 1 | |
| | | D | | |
| | | PRIMARIO | | |
| | | REV. | 01 | |
| | | AZ | | |
| P/N | 00179 | | | |
| PROPRIETÀ C.T.A.S.R.L. - RIPRODUZIONE VIETATA - DIRITTI TUTELATI A TERMINE DI LEGGE | | | | |



| REV. | DESCRIZIONE | ESEGUITO | VERIFICATO | DATA |
|--|--------------------------|---|--------------------------------|--|
| - | | - | - | - |
| MASSA | MATERIALE | TOLLERANZE UNI EN 22768-1 ECCEPTE DOVE INDICATO - TIPO: | | |
| 0.00g | L.A.M. SP01 20/10 Fe360B | FINE | <input type="checkbox"/> MEDIA | <input checked="" type="checkbox"/> MOLTO GROSSOLANA |
| TRATTAMENTO CHIMICO SUPERFICIALE Sp. - | | VERNICIATURA Sp. - | | |
| VERN. ALLE POLVERI 0085 | | | | |
| <h1>CTA</h1> <p>S.r.l.</p> | | DISGNATO | DATA | 22/02/2008 |
| | | L.M.T. | DATA | |
| | | CONTROLLATO | DATA | 25/02/2008 |
| | | APPROVATO | DATA | 25/02/2008 |
| DESCRIZIONE | | SCALA | 1:2 | |
| STRUTTURA INTERMEDIA F/M - H=236 | | FOLIO | 1 | |
| P/N | | REV. | 00 | |
| | | FORMATO | A3 | |
| <small>DISGNO ESEGUITO CON SISTEMA CAD NON SONO AMMESSE VARIAZIONI O MODIFICHE MANUALI</small> | | | | |
| <small>PROPRIETÀ: CTA S.r.l. - RIPRODUZIONE VIETATA - DIRITTI TUTELATI A TERMINE DI LEGGE</small> | | | | |

A

B

C

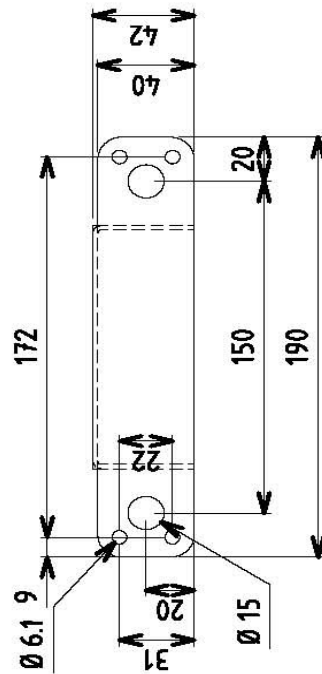
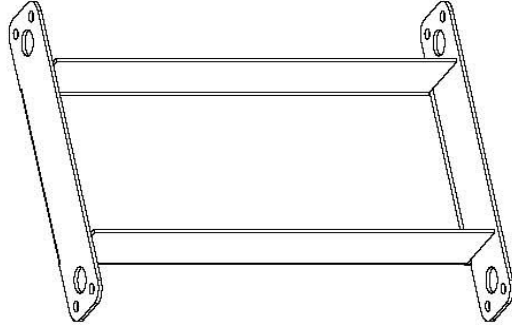
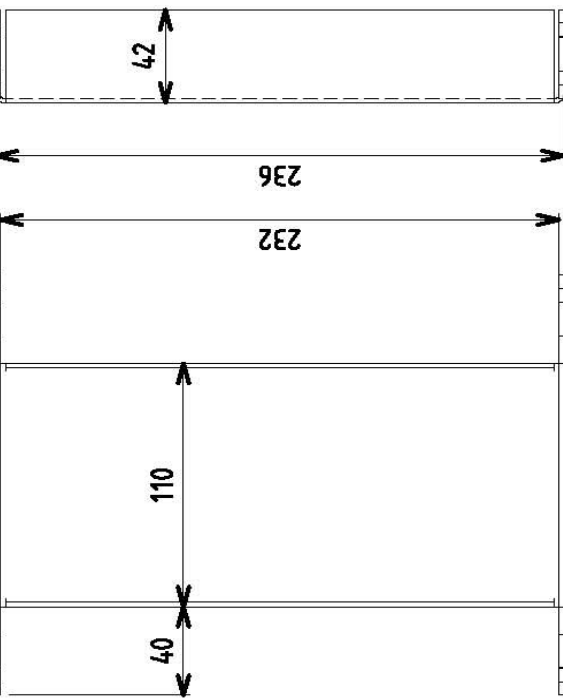
D

E

F

G

H



| REV. | DESCRIZIONE | ESEGUITO | VERIFICATO | DATA |
|--|--------------------------|---|--------------------------------|--|
| - | - | - | - | - |
| MASSA | MATERIALE | TOLLERANZE UNI EN 22768-1 ECCEPTE DOVE INDICATO - TIPO: | | |
| 903.24g | L.A.M. SP01 20/10 Fe360B | FINE <input type="checkbox"/> | MEDIA <input type="checkbox"/> | GROSSOLANA <input checked="" type="checkbox"/> |
| TRATTAMENTO CHIMICO SUPERFICIALE Sp. - | | VERNICIATURA Sp. - | | |
| VERN. ALLE POLVERI 0085 | | - | | |
| | | DISGNATO | DATA | 22/02/2008 |
| | | L.M.C. | DATA | 25/02/2008 |
| | | CONTROLLATO | DATA | 25/02/2008 |
| | | APPROVATO | DATA | 25/02/2008 |
| DESCRIZIONE | | SCALA 1:2 | | |
| STRUTTURA INTERMEDIA F/M - H=236 | | FOGLIO 2 | | |
| P/N | | REV. | 00 | A3 |
| PROPRIETA' CTA S.r.l. - RIPRODUZIONE VIETATA - DIRITTI TUTELATI A TERMINE DI LEGGE | | | | |

A

B

C

D

E

F

G

H