



ECE TYPE-APPROVAL CERTIFICATE

E24

Communication concerning²: Approval granted
~~Approval extended~~
~~Approval refused~~
~~Approval withdrawn~~
~~Production definitively discontinued~~

of a vehicle type with regard to safety-belt anchorages pursuant to UN Regulation No. 14

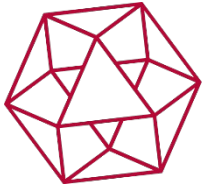
Approval No: **E24*14R09/01*0190*00**

Reason(s) for extension: - *N/A*

- | | | |
|----|---|---|
| 1. | Trade name or mark of the power driven vehicle: | <i>CTA</i> |
| 2. | Type of vehicle: | <i>CTAFTC FORD-N</i> |
| | Commercial description(s): | <i>CTAFTC FORD-N</i> |
| 3. | Manufacturer’s name and address: | <i>C.T.A. S.r.l.
Via Groenlandia,
23 POMEZIA (RM),
ITALIA</i> |
| 4. | If applicable, name and address of manufacturer’s representative: | <i>N/A.</i> |

¹ Distinguishing number of the country which has granted/extended/refused/withdrawn approval (see approval provisions in the Regulation).

² Strike out what does not apply.



Approval No: E24*14R09/01*0190*00

5. Designation of the type of belts and retractors authorised for fitting to the anchorages with which the vehicle is equipped:

Row	Seat	Anchorage position		Anchorage on*	
				Vehicle structure	Seat structure
Front	Right-hand seat	Lower anchorages	outboard	N/A	Ar
			Inboard	N/A	Ar
		Upper anchorages		Ar	N/A
	Middle seat	Lower anchorages	Right	N/A	N/A
			Left	N/A	N/A
		Upper anchorages		N/A	N/A
Left-hand seat	Lower anchorages	outboard	N/A	Ar	
		Inboard	N/A	Ar	
	Upper anchorages		Ar	N/A	
Rear 2 nd Row 5 Seats	Right-hand seat	Lower anchorages	outboard	N/A	N/A
			Inboard	N/A	N/A
		Upper anchorages		N/A	N/A
	Middle seat	Lower anchorages	Right	N/A	N/A
			Left	N/A	N/A
		Upper anchorages		N/A	N/A
Left-hand seat	Lower anchorages	outboard	N/A	N/A	
		Inboard	N/A	N/A	
	Upper anchorages		N/A	N/A	
Rear 2 nd Row 7 Seats	Right-hand seat	Lower anchorages	outboard	N/A	N/A
			Inboard	N/A	N/A
		Upper anchorages		N/A	N/A
	Middle seat	Lower anchorages	Right	N/A	N/A
			Left	N/A	N/A
		Upper anchorages		N/A	N/A
Left-hand seat	Lower anchorages	outboard	N/A	N/A	
		Inboard	N/A	N/A	
	Upper anchorages		N/A	N/A	
Rear 3 rd Row 7 Seats	Right-hand seat	Lower anchorages	outboard	N/A	N/A
			Inboard	N/A	N/A
		Upper anchorages		N/A	N/A
	Middle seat	Lower anchorages	Right	N/A	N/A
			Left	N/A	N/A
		Upper anchorages		N/A	N/A
Left-hand seat	Lower anchorages	outboard	N/A	N/A	
		Inboard	N/A	N/A	
	Upper anchorages		N/A	N/A	

* Insert in the actual position the following letter(s):

"A" for a three-point belt,

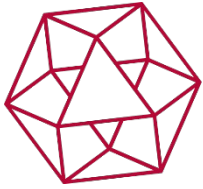
"B" for lap belts,

"S" for special-type belts; in this case the type shall be stated under "Remarks",

"Ar", "Br" or "Sr" for belts with retractors,

"Ae", "Be" or "Se" for belts with an energy absorption device,

"Are", "Bre" or "Sre" for belts with retractors and energy-absorption devices on at least one anchorage.

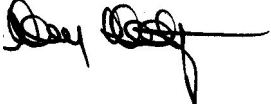


NSAI

Approval No: E24*14R09/01*0190*00

- | | | |
|-----|---|--|
| 6. | Description of seats ³ : | <i>See test report TA0048FCTA and accompanying manufacturer's information document for details</i> |
| 7. | Description of the adjustment, displacement and locking systems either of the seat or of its parts ³ : | <i>See test report TA0048FCTA and accompanying manufacturer's information document for details</i> |
| 8. | Description of seat anchorage ³ : | <i>See test report TA0048FCTA and accompanying manufacturer's information document for details</i> |
| 9. | Description of particular type of safety-belt required in the case of an anchorage located in the seat structure or incorporating an energy-dissipating device: | <i>N/A</i> |
| 10. | Vehicle submitted for approval on: | <i>15.11.2022</i> |
| 11. | Technical service responsible for conducting approval tests: | <i>GreenKar Technical Service Ltd.
18/2, South Street, Valletta,
VLT 1102 (Malta)</i> |

Approval No: E24*14R09/01*0190*00

12. Date of report issued by that service: **14.11.2022**
13. Number of report issued by that service: **TA0048FCTA**
14. Approval granted/~~extended/refused/withdrawn~~²: **Granted**
15. Position of approval mark on vehicle: **Lower part of the structure, immediately upper the vehicles anchorages**
16. Place: **Dublin.**
17. Date: **19th January, 2023**
18. Signature: 



19. The following documents, filed with the Type Approval Authority which has granted approval and available on request are annexed to this communication:

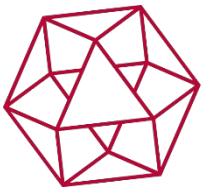
Drawings, diagrams and plans of the belt anchorages and of the vehicle structure;

Photographs of the belt anchorages and of the vehicle structure;

Drawings, diagrams and plans of the seats, of their anchorage on the vehicle, of the adjustment and displacement systems of the seats and of their parts and of their locking devices;³

Photographs of the seats, of their anchorage, of the adjustment and displacement systems of the seats and of their parts, and of their locking devices.³"

³ Only if the anchorage is affixed on the seat or if the seat supports the belt strap



NSAI

Approval No: E24*14R09/01*0190*00

Index to the Information Package

Date of issue:	<i>19th January, 2023</i>
Date of latest amendment:	<i>N/A</i>
Reason for extension/revision:	<i>N/A</i>
1. Test report(s)	
- numbers(s):	<i>TA0048FCTA</i>
- date of issue:	<i>14.11.2022</i>
- date of latest amendment:	<i>N/A</i>
2. Information document	
- number(s):	<i>01gTCThS</i>
- date of issue:	<i>18.07.2022</i>
- date of latest amendment:	<i>N/A</i>
Documentation:	<i>78 pages</i>



Approval No: E24*14R09/01*0190*00

Appendix: **Additional conditions, and advisory notes on legal alternatives**

A: Additional conditions:

1. The attached technical report, with any of its attachments, forms part of this Type Approval certificate.
2. Each vehicle from series production shall be to the measurements specified in the attached drawings, and shall be manufactured only from the materials specified in the Approval documents.
3. Changes in the type are permitted only with the explicit permission of NSAI. Breaches of this requirement will lead to a withdrawal of the Type Approval, and in addition may be subject to criminal prosecution.
4. At regular intervals, any tests or associated checks prescribed by the applicable legislation to verify continued conformity with the approved type shall be carried out. The manufacturer shall demonstrate compliance with this by submitting to NSAI evidence of adequate arrangements and documented control plans for each type approved.
5. Any set of samples or test pieces showing evidence of non-conformity shall give rise to further sampling and testing and all steps shall be taken to restore conformity of production.
6. This Type Approval will expire when it is surrendered by the holder, or withdrawn by NSAI, or when the approved type no longer conforms to legal requirements. The recall of the Type Approval can be issued by NSAI when the conditions required for the issuing or continuation of the Type Approval are no longer current, or when the Approval holder is in breach of the duties attached to the Type Approval, or when it is established that the approved type no longer meets the requirements of traffic safety.
7. Changes in the company name, address or manufacturing site, as well as in any of the sales or other agents specified in the issuing of the approval must immediately be notified to NSAI.
8. The duties imposed by the issuing of this certificate are not transferable. The legal protection of third parties is not affected by this certificate.
9. When the manufacture or sale of the system, component or separate technical unit has not been started within one year of the date of issue of this certificate, then NSAI is to be informed. This requirement also applies when the manufacture or sale has been halted for more than one year, or when it ought to have been halted for more than one year. The initial commencement of manufacture or sale, or the resumption of manufacture or sale, shall then be notified to NSAI within one month of commencement or resumption.

B: Legal Options:

Any objection to the requirements set out in this certificate shall be made within one month of the date of issue. The objection shall be made, in writing, to NSAI in Dublin.

REPORT		Date of issue:	14/11/2022
		Page:	1 of 3
No.: TA0048FCTA		Base file:	MR-A-059 r03

Subject:	Safety-belt anchorages
Regulatory act:	UN/ECE 14 Series of amendments 09 - Supplement 1
Technical Officer:	Silvio Angelelli
Inspection site:	Via Groenlandia,23 – 00071 Pomezia Rome (I)
Inspection date:	02/08/2022

0. GENERAL

0.1.	Make:	CTA
0.2.	Type:	CTAFTC FORD-N
	Variant(s):	Version(s):
	---	---
0.2.0.	Situation in relation to finishing of the vehicle:	---
0.2.1.	Commercial name(s):	CTAFTC FORD-N
0.3.	Category of vehicle:	M1-N1
0.4.	Name and address of manufacturer:	C.T.A. S.r.l. Via Groenlandia, 23 POMEZIA (RM) - ITALIA
	- complete vehicle:	---
	- incomplete vehicle	---
	stage 1:	---
	stage 2:	---
	- completed vehicle:	---
0.5.	Name(s) and address(es) of assembly plant(s):	C.T.A. S.r.l. Via Groenlandia, 23 POMEZIA (RM) - ITALIA
0.6.	Name and address of manufacturer's representative:	N/A

1. INFORMATION CONCERNING THE VEHICLE SUBMITTED FOR TESTS

Type	Variant	Version	VIN
CTAFTC FORD-N	N/A	N/A	WFOXXXTTGXFP35151

2. PRELIMINARY REMARKS

The vehicle submitted for tests conforms to the information document no. 01gTCThS dated 18/07/2022 provided by manufacturer. The tested structure is representative of the type to be approved.

REPORT		Date of issue:	14/11/2022
		Page:	2 of 3
No.: TA0048FCTA		Base file:	MR-A-059 r03

3. INFORMATION RELEVANT FOR THE CONDUCT AND THE EVALUATION OF TESTS

3.1.	Parameter of the test area:	
3.1.1.	Temperature of air	32 °C
3.2.	Sort and number of seats:	single forward-facing seat, with swivel plate code 9PG0090000V01, tested on LEFT and 9PG0098000V01, tested on Right side first raw seats anchorages.

4. CHECKS AND TESTS

		C	NC	NA
4.1.	Measurement of the H points:			
	Considering the permissible measuring tolerances, the measured H-points and real seat back angles correspond with the R-points and with the design position of the seat back angles as indicated by the applicant	<input checked="" type="checkbox"/>	<input type="checkbox"/>	<input type="checkbox"/>
4.2.	Number and sort of belt anchorages			
	The anchorage points (number and sort) meet the requirements of the test basis	<input checked="" type="checkbox"/>	<input type="checkbox"/>	<input type="checkbox"/>
4.3.	Locations of effective belt anchorages			
	Considering the applicable measuring tolerances, the measured effective anchorage points correspond with the coordinates as indicated by the applicant	<input checked="" type="checkbox"/>	<input type="checkbox"/>	<input type="checkbox"/>
4.4.	Strength test			
	All the necessary anchorages have resisted within the prescribed time period to the applied test loads (see the following table)	<input checked="" type="checkbox"/>	<input type="checkbox"/>	<input type="checkbox"/>
4.5.	Measure of the maximum displacement of the effective upper anchorage point	LEFT seat: 20 mm RIGHT seat: 27 mm		
	If the upper safety-belt anchorage is attached to the seat structure, the effective upper safety-belt anchorage is not displaced during the test forward of a transverse plane passing through the R point and point C of the seat in question (for vehicles of category M1 of a total permissible mass not exceeding 2.5 tonnes)	<input type="checkbox"/>	<input type="checkbox"/>	<input checked="" type="checkbox"/>
	For vehicles other than mentioned above, the effective upper safety-belt anchorage is not displaced during the test forward of a transverse plane inclined 10° in forward direction and passing through the R point of the seat	<input checked="" type="checkbox"/>	<input type="checkbox"/>	<input type="checkbox"/>
4.6.	Position of approval mark on vehicle:	Lower part of the structure, immediately upper the vehicles anchorages		

Forward-facing bench seats 9PG0090000V01 on LEFT and 9PG0098000V01 on RIGHT

Anchorage point	LEFT 3		RIGHT 3	
	Longitudinal adjustment	Fixed (no adjustment)		Fixed (no adjustment)
Height adjustment	Fixed (no adjustment)		Fixed (no adjustment)	
Safety belts	Ar		Ar	
Supplementary load	20 x seat weight (38kg*9,81m/s ²)			
Load [daN]	Upper:	Lower	Upper:	Lower
	1730 + 20	1730 + 20	1730 + 20	1730 + 20
Dwell time	0,2 s		0,2 s	

REPORT		Date of issue:	14/11/2022
		Page:	3 of 3
No.: TA0048FCTA		Base file:	MR-A-059 r03

5. MEASURING INSTRUMENTS

N. 4 dynamometers, strain gauge.

6. REMARKS

(report remarks, irregularity, non-compliance items)

<p>The inspection has been carried out considering the relevant requirements of ISO/IEC 17020</p> <ul style="list-style-type: none"> - Inspection Report: IR0048F/R14_09 - Testing Organization Report: 015-22/CTA <p>---</p>

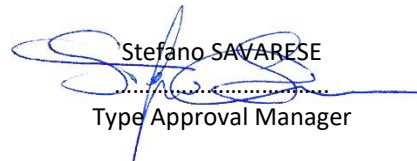
7. CONCLUSIONS

On the basis of checks carried out and of what stated in the information folder provided by the manufacturer, it is hereby certified that the vehicle referred to in pt. 1. meets the requirements of UN/ECE Reg. 14-09.

Date of issue 14.11.2022



 Silvio ANGELELLI
 Technical Officer



 Stefano SAVARESE
 Type Approval Manager

REPORT

Disposizioni uniformi relative all'omologazione dei veicoli per quanto riguarda gli ancoraggi delle cinture di sicurezza.

UN/ECE - Regolamento N. 14, supplemento 1 serie di modifica 09

Uniform provisions concerning the approval of vehicles with regard to safety-belt

UN Regulation No. 14, Supplement 1 to the 09 series of amendments

Committente: Client:	C.T.A. S.r.l.
Costruttore: Manufacturer:	CTA S.r.l.
Laboratorio di prove: Testing laboratory:	C.T.A. S.r.l. Via Groenlandia, 23 00071 Pomezia (RM)
Esito della prova: Test result:	I sistemi descritti sono stati sottoposti alle verifiche richieste dal Regolamento citato e sono risultati CONFORMI. <i>The systems described were subjected to the verifications required by the above mentioned Regulation and were found to be CONFORMED.</i>

È vietata la riproduzione parziale di questo Report senza una esplicita autorizzazione scritta. Il presente rapporto riguarda solo i campioni sottoposti a prova.

Il presente test report è costituito da 18 pagine:

- Informazioni generali e di prova
- allegato A
- allegato B

Partial reproduction of this Report without explicit written authorization is not allowed.


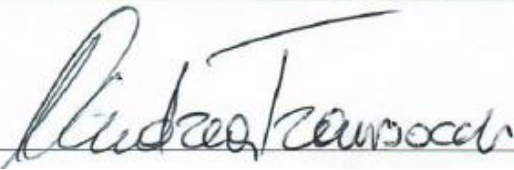
This report refers only to the tested samples.

This test report consists of 18 pages:

- *General and test information*
- *Annex A*
- *Annex B*

Data di emissione: 02/08/2022

Date of issue: 02/08/2022

<p>Marco Ubaldi (Responsabile Tecnico) (Technical Manager)</p>	<p>Andrea Transocchi (Responsabile di laboratorio) (Laboratory Manager)</p>
	

INDICE INDEX		
		PAG.
1.	INFORMAZIONI GENERALI <i>GENERAL INFORMATION</i>	3/18
2.	PREMESSA <i>PREMISE</i>	5/18
3.	IDENTIFICAZIONE DELLA STRUTTURA <i>IDENTIFICATION OF THE STRUCTURE</i>	5/18
4.	VERIFICHE <i>CHECKS</i>	5/18
5.	PROVE <i>TESTS</i>	6/18
5.1.	<ul style="list-style-type: none"> ▪ Condizioni di prova <i>Testing conditions</i> 	6/18
5.2.	<ul style="list-style-type: none"> ▪ Risultati delle prove <i>Tests results</i> 	6/18
5.2.1.	<ul style="list-style-type: none"> ▪ Posti testati <i>Tested seats</i> 	6/18
5.2.1.1.	<ul style="list-style-type: none"> ▪ Prove effettuate <i>Tests performed</i> 	7/18
6.	CONCLUSIONI <i>CONCLUSIONS</i>	7/18
	ALLEGATO A <i>ANNEX A</i>	
	Foto sedili fila anteriore frontemarcia – (9PG0090000V01/9PG0098000V01) – prima della prova <i>Photos front row seats forward facing - (9PG0090000V01/9PG0098000V01) – before test</i>	9/18
	Foto sedili fila anteriore frontemarcia – (9PG0090000V01/9PG0098000V01) – dopo la prova <i>Photos front row seats forward facing - (9PG0090000V01/9PG0098000V01) – after test</i>	11/18
	Grafico sedile fila anteriore frontemarcia – (9PG0090000V01/9PG0098000V01) <i>Diagram front row seats forward facing - (9PG0090000V01/9PG0098000V01)</i>	13/18
	ALLEGATO B <i>ANNEX B</i> Documentazione tecnica <i>Technical documentation</i>	14/18

1. INFORMAZIONI GENERALI

GENERAL INFORMATION

Prove eseguite presso: C.T.A. S.r.l.
Tests performed at:

Data di ricezione del campione: n.r.
Date of sample delivery:

Prove eseguite il: 02.08.2022
Tests performed on: 02.08.2022

Presenti alla prova: le prove sono state condotte in presenza del delegato del responsabile tecnico, e dell'ispettore GreenKar TS.

Present at the test: *the tests were performed in attendance of the technical head deputy, and the GreenKar TS inspector.*

Tipo: Ford Transit
Type: *Ford Transit*

Veicolo: autoveicolo - cat. M1/N1
Vehicle: *motor vehicle - cat. M1/N1*

N. telaio: WFOXXXTTGXFP35151 (e1*2007/46*1100)
Chassis no.: *WFOXXXTTGXFP35151 (e1*2007/46*1100)*

Strumentazione di prova:
9PG0090000V01: dinamometro Modello TRZ5000
- matricola 202107115
dinamometro Modello TRZ5000
- matricola 202107116
9PG0098000V01: dinamometro Modello TRX5000
- matricola 20020007
dynamometer model TRX5000
- serial number 20020004

Test Instrumentation:
9PG0090000V01: *dynamometer model TRZ5000*
- serial number 202107115
dynamometer model TRZ5000
- serial number 202107116
9PG0098000V01: *dynamometer model TRX5000*
- serial number 20020007
dynamometer model TRX5000
- serial number 20020004

2. PREMESSA
PREMISE

È stata verificata la coppia di sedili fila anteriore fronte marcia con piastra girevole interposta tra sedile e cestello, (vedi disegno **COD. 1D.00/016-22/CTA**), applicando i carichi richiesti.
Il sistema è con un punto di ancoraggio esterno ricavato sul montante del veicolo e con due punti ricavati sul sedile.

*The front row seats forward facing, with swivel plate included, has been verified (see drawing **COD. 1D.00/016-22/CTA**), applying the required loads.*

The system has one external anchorage points on the vehicle pillar and two points on the seat.

Le piastre girevoli 9PG0090000V01 e 9PG0098000V01 possono essere installate sui sedili lato guida e passeggero.
The swivel plates 9PG0090000V01 and 9PG0098000V01 can be installed on the driver's and passenger's side seats.

Prodotti supplementari utilizzati per la prova su sedile lato guida:

Additional products used for driver's side seat test:

- 9PG0152600V01
- 9PG0083700V01

3. IDENTIFICAZIONE STRUTTURA
IDENTIFICATION OF THE STRUCTURE

Numero e disposizione dei posti:

- Anteriore: n° 1 frontemarcia (1 dx-1 sx)

Descrizione dei sedili e disposizione degli ancoraggi fissati alla struttura del veicolo e tipo delle cinture di cui è previsto il montaggio:

- secondo documentazione tecnica del costruttore.

Number and arrangement of seats:

- *Front: n° 1 front-facing (1 dx-1 sx)*

Description of the seats and arrangement of the anchorages fixed to the vehicle structure and the type of belts to be fitted:

- *according to the manufacturer's technical documentation.*

4. VERIFICHE
CHECKS

È stata determinata, con l'impiego del manichino tridimensionale normalizzato, la posizione del punto "H" dei sedili anteriori, essa è risultata praticamente coincidente con quella del punto "R" indicata dal Costruttore (vedi documentazione tecnica allegata).

La posizione degli ancoraggi effettivi è stata verificata conforme ai disegni e schemi presentati dal costruttore e rispondente alle prescrizioni dei punti 5.4.2. e 5.4.3.

Gli ancoraggi presentano un foro filettato di 11,11 mm (7/16") 20 UNF 2B (punto 5.5.1.).

The position of the 'H' point of the front seats was calculated using the three-dimensional standard manikin; it was practically identical with the position of the 'R' point indicated by the manufacturer (see attached technical documentation).

The position of the actual anchorages has been verified in accordance with the drawings and diagrams submitted by the manufacturer and conforming to the requirements of paragraphs 5.4.2 and 5.4.3.

The anchorages shall have a threaded hole of 11,11 mm (7/16") 20 UNF 2B (paragraph 5.5.1.).

5. PROVE
TESTS

5.1. CONDIZIONI DI PROVA
TESTING CONDITIONS

La procedura impiegata corrisponde alle prescrizioni dei punti 6 e 7.
The procedure employed follows the requirements of points 6 and 7.

5.2. RISULTATI DELLE PROVE
TESTS RESULTS

- 5.2.1. Posti anteriori: n° 1 frontemarcia (1 dx-1 sx)
I sedili sono di tipo fisso e con possibilità di uso di piastra
girevole

Il bloccaggio del veicolo è stato effettuato secondo le prescrizioni del punto 6.2.

Gli ancoraggi sono stati sottoposti simultaneamente per ogni fila di sedili, alle prove previste dai punti 6.4.1. e 6.4.4, con angoli di tiro pari a 7° circa (richiesti 10° ± 5°)

- 5.2.1. *front seats:* No. 1 front-facing (1 dx-1 sx)
The seats are fixed type and with the option of using swivel plate

*The locking of the vehicle has been carried out in accordance with the requirements of paragraph 6.2.
The anchorages have been subjected simultaneously for each row of seats to the tests provided by the points 6.4.1. and 6.4.4., with shooting angles of about 7° (required 10° ± 5°)*

5.2.1.1 Le prove sono state effettuate ottenendo i seguenti risultati:
The tests were carried out with the following results:

1^a PROVA (rif. Cat. M1/N1)

1^a TEST (Cat. Ref. M1/N1)

Sedili fila anteriore frontemarcia – (9PG0090000V01/9PG0098000V01)								
<i>Front row seats forward facing - (9PG0090000V01/9PG0098000V01)</i>								
Cinture <i>Belts</i>	Ancoraggio <i>Anchorage</i>	Carico richiesto per ogni ramo di cintura <i>Load required for each belt branch (daN)</i>		Carico richiesto per sedile <i>Load required for seat (daN)</i>		Carico applicato <i>Load applied (daN)</i> <i>(Load required + Load required for seat)</i>		Mantenimen to in carico <i>Load Keeping (s)</i>
		SX	DX	SX	DX	SX	DX	
a tre punti con riavvolgitore <i>three-points with retractor</i>	Superiore <i>Upper</i>	1730 ± 20	1730 ± 20			2042	2043	> 0,2
	Inferiore <i>Lower</i>	1730 ± 20	1730 ± 20			2009	1978	> 0,2
	Sedile <i>Seat</i>	----		20 x (38kg*9,81m/s ²)				> 0,2

Misura dello spostamento massimo del punto di ancoraggio superiore effettivo (sedile guidatore 9PG0090000V01): 20mm.

Measure of the maximum displacement of the effective upper anchorage point (driver seat 9PG0090000V01): 20 mm.

Misura dello spostamento massimo del punto di ancoraggio superiore effettivo (sedile passeggero 9PG0098000V01): 27 mm.

Measure of the maximum displacement of the effective upper anchorage point (passenger seat 9PG0098000V01): 27 mm.

Il sistema sedile comprensivo di piastra girevole 9PG0090000V01/9PG0098000V01 ha un peso pari a 38 kg.

The seat system with swivel plate 9PG0090000V01/9PG0098000V01 has a weight of 38 kg.

Messa in carico attraverso l'utilizzo di una macchina gestita da un software dedicato.

Loading through the use of a machine managed by a dedicated software.

5.2.2.2. Comportamento struttura: si leggano le tabelle al punto 5.2.1., 5.2.1.1

Structure behaviour: read the tables in section 5.2.1., 5.2.1.1.

6. CONCLUSIONI

CONCLUSIONS

Ancoraggi inferiori e superiori:

Sono state riscontrate contenute deformazioni senza alcuna rottura. Non si sono verificate altresì deformazioni importanti né tantomeno cedimenti della struttura del veicolo e degli altri ancoraggi.

Durante la prova sono state rispettate le distanze minime tra gli ancoraggi effettivi inferiori specificate al paragrafo 5.4.2.5 e i requisiti di cui al paragrafo 5.4.3.6 della norma di riferimento per gli ancoraggi effettivi superiori delle cinture.

L'ancoraggio effettivo superiore della cintura di sicurezza non ha oltrepassato durante la prova il piano verticale attraversante il punto R del sedile.

Lower and upper anchors:

Contained deformations were found without any breakage. There were also no major formations or failures of the vehicle structure and other anchorages.

During the test the minimum distances between the effective lower effective belt anchorages specified in paragraph 5.4.2.5 and the requirements of paragraph 5.4.3.6 of the reference standard for effective upper effective belt anchorages were respected.

The effective upper belt anchorage did not exceed during the test the vertical plane passing through the R point of the seat.

**ALLEGATO A
ANNEX A**

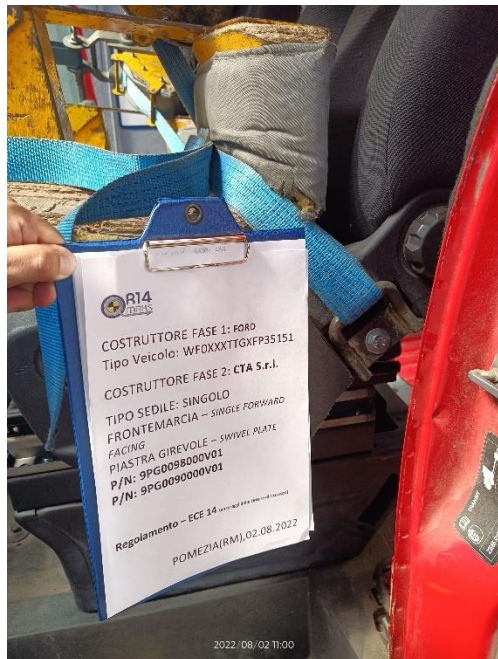
1ª Prova – Sedili fila anteriori frontemarcia– (9PG0090000V01/9PG0098000V01)

1ª Test –Front row seat Front-facing– (9PG0090000V01/9PG0098000V01)

Prima della prova

Before test

COD. 1F.00/016-22/CTA



COD. 1F.01/016-22/CTA



COD. 1F.02/016-22/CTA



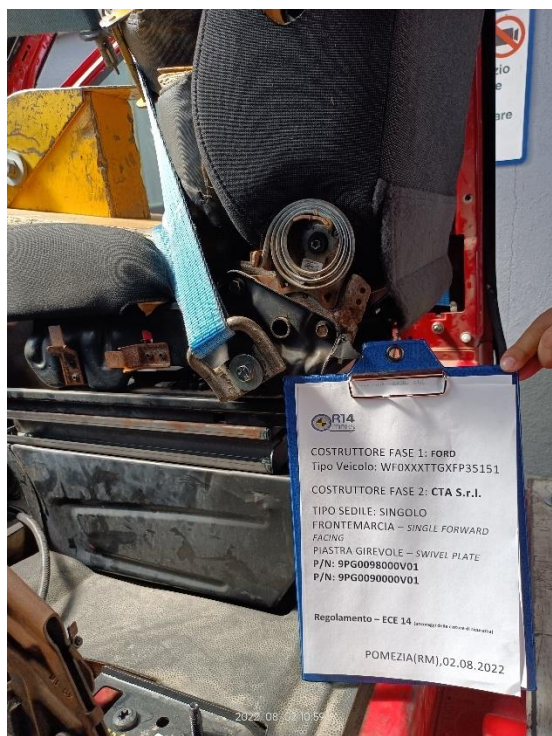
COD. 1F.03/016-22/CTA



COD. 1F.04/016-22/CTA



COD. 1F.05/016-22/CTA



Modulo di descrizione tecnica

Costruttore: CTA s.r.l.
 Tipo di veicolo: Ford Transit
 Tipo di sedile: fila sedili anteriori fronte marcia
 Regolamento ECE 14.09 Ancoraggi per cinture di sicurezza
 Pomezia 02.08.2022

Technical description form Manufacturer:
 CTA s.r.l.
 Vehicle type: Ford Transit
 Seat Type: Front row seat Front-facing
 Regulation ECE 14.09 Safety-belt anchorages
 Pomezia 02.08.2022

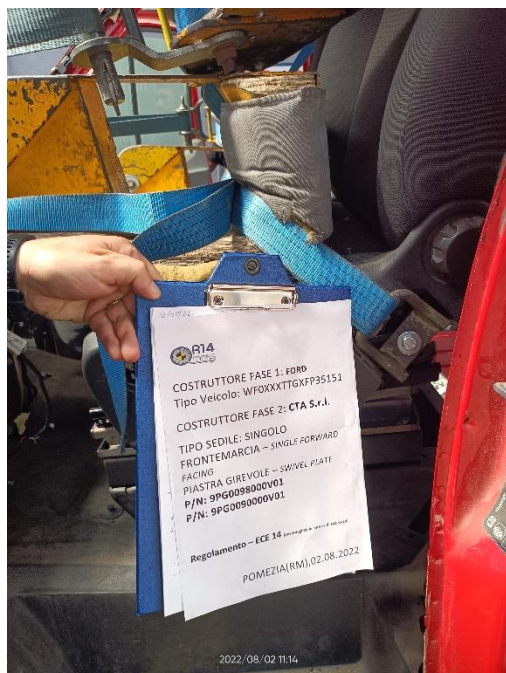
E24*14R09/01*0190*00

ALLEGATO A
ANNEX A

1^a Prova - Sedili fila anteriori frontemarcia – (9PG0090000V01/9PG0098000V01)
1^a Test – Front row seat Front-facing – (9PG0090000V01/9PG0098000V01)

Dopo la prova
After test

COD. 1F.06/016-22/CTA



COD. 1F.07/016-22/CTA



COD. 1F.08/016-22/CTA



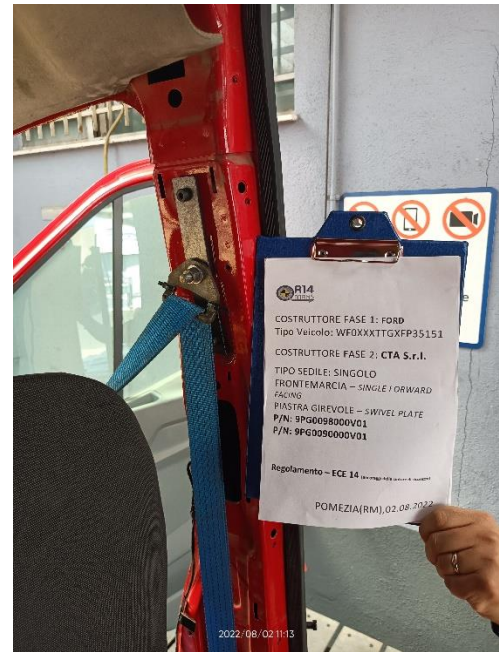
COD. 1F.09/016-22/CTA



COD. 1F.11/016-22/CTA



COD. 1F.10/016-22/CTA



Modulo di descrizione tecnica

Costruttore: CTA s.r.l.
 Tipo di veicolo: Ford Transit
 Tipo di sedile: fila sedili anteriori fronte marcia
 Regolamento ECE 14.09 Ancoraggi per cinture di sicurezza
 Pomezia 02.08.2022

Technical description form Manufacturer:

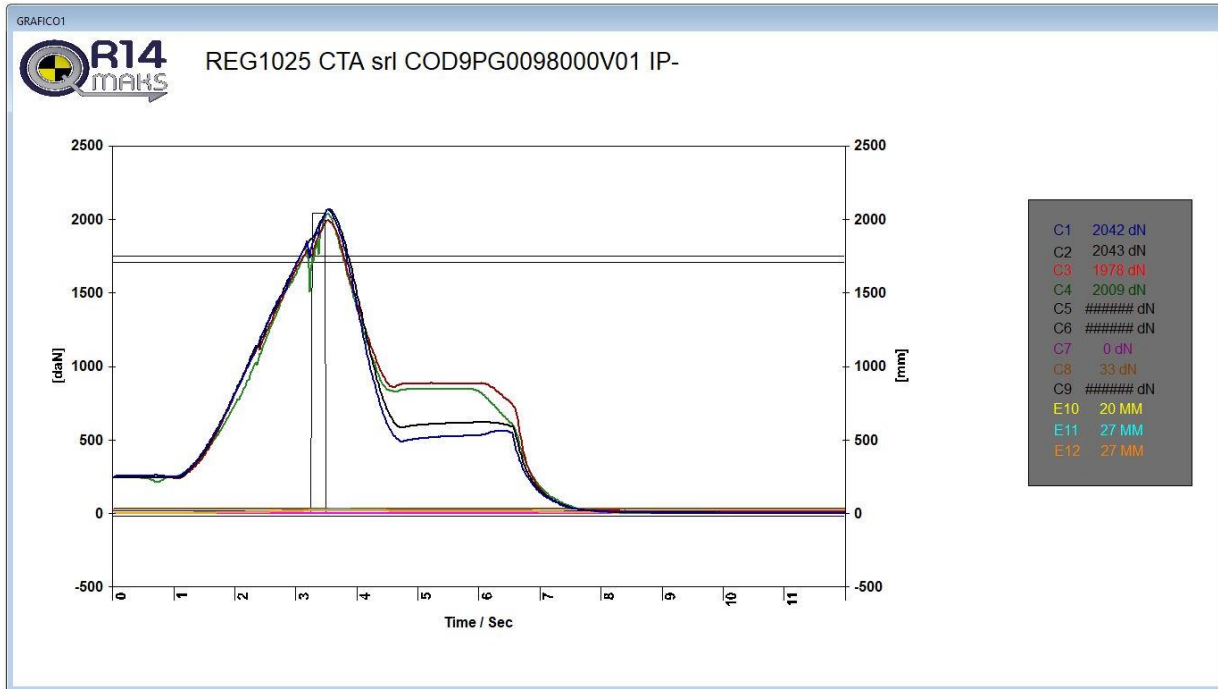
CTA s.r.l.
 Vehicle type: Ford Transit
 Seat Type: Front row seat Front-facing
 Regulation ECE 14.09 Safety-belt anchorages
 Pomezia 02.08.2022
E24*14R09/01*0190*00

ALLEGATO A
ANNEX A

1^a Prova - Sedili fila anteriori frontemarcia – (9PG0090000V01/9PG0098000V01)
1^a Test – Front row seat Front-facing – (9PG0090000V01/9PG0098000V01)

Grafico
Diagram

COD. 1G.00/016-22/CTA



COD.1G.01/016-22/CTA

HOME R14 - C:\Users\Gaming\Desktop\Qmaks\30\Test\Qmaks_130_SR2

R14 Qmaks

CLIENTE: CTA srl ORDINE: 2022-157 DEL 13

CATEGORIA TEST: M1/N1 M2/N2 DATA: 02/08/2022 ORA: 11:15:38 TEMPERATURA: 31

REG: 1025 CODICE: G0098000 IPOTEST: - KG: 38,00

OPERATORE: TRANSOCCHI ANDRE/ FUNZIONARIO PRESENTE: ANGELELLI S. AMMINISTRAZIONE: GREENKAR TS

INCLINAZIONE ISOFIX 0° INCLINAZIONE TIRANTI 7° ALTEZZA STRUTTURA 0 MM

CELLA	POSIZIONE	PROGRAMMATA	FORZAMAX RAGGIUNTA	CELLA	POSIZIONE	PROGRAMMATA	FORZAMAX RAGGIUNTA
C1	SUP SX	1730 dN	2042 dN	C2	SUP DX	1730 dN	2043 dN
C4	INF SX	1730 dN	2009 dN	C3	INF DX	1730 dN	1978 dN
C7	ISO SX	0 dN	0 dN	C8	ISO DX	0 dN	33 dN

DEFORMAZIONE

AMMESSA	PROGRAMMATA	RAGGIUNTA	
E10 ESTENSIMETRO LINEARE	202 MM	350 MM	20 MM
E11 ESTENSIMETRO LINEARE	202 MM	350 MM	27 MM
E12 ESTENSIMETRO LINEARE	0 MM	0 MM	0 MM

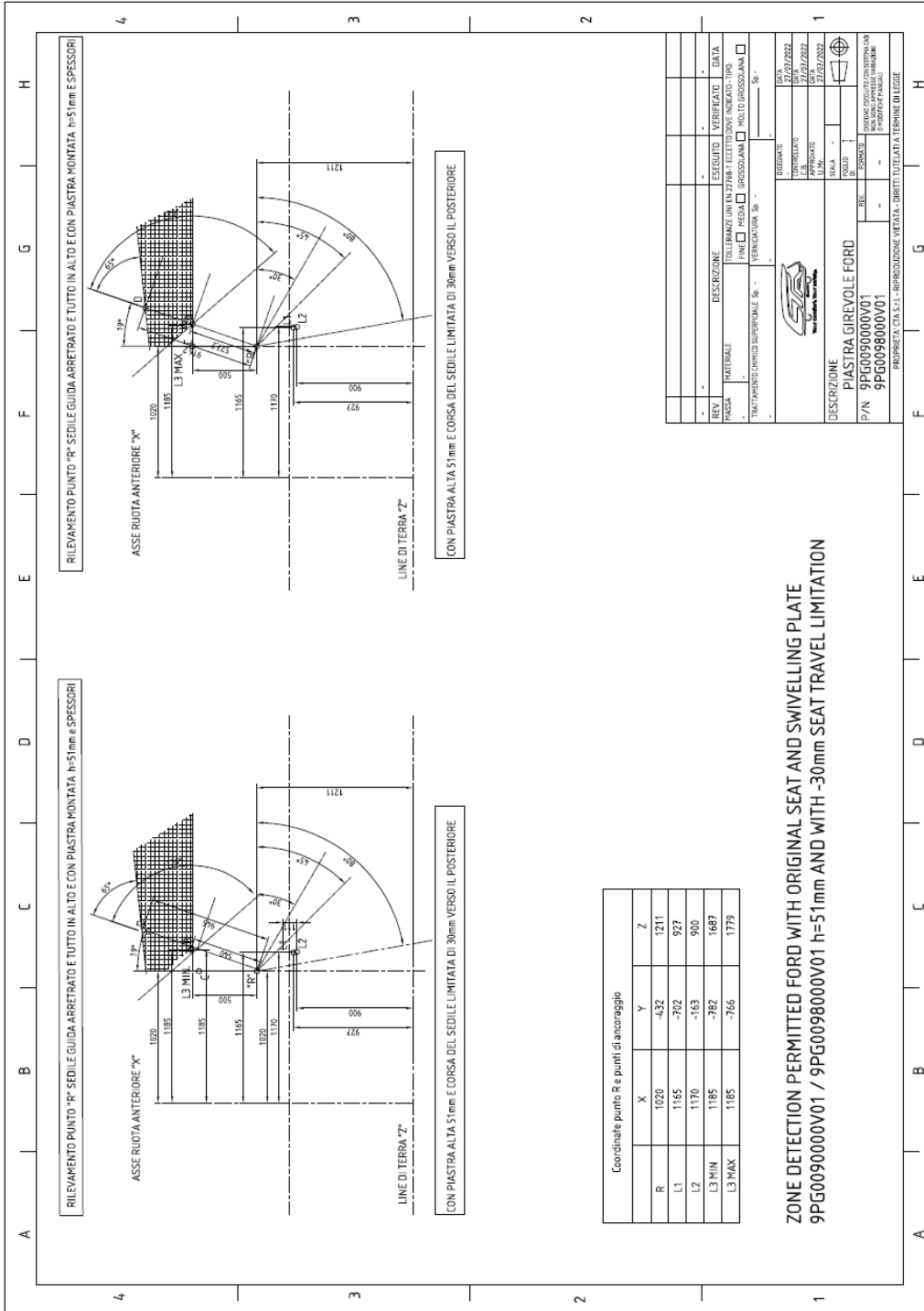
DESCRIZIONE/NOTE STRUTTURALI: CARATTERI DISPONIBILI MAX 500

martedì, agosto 02, 2022 11:15:39

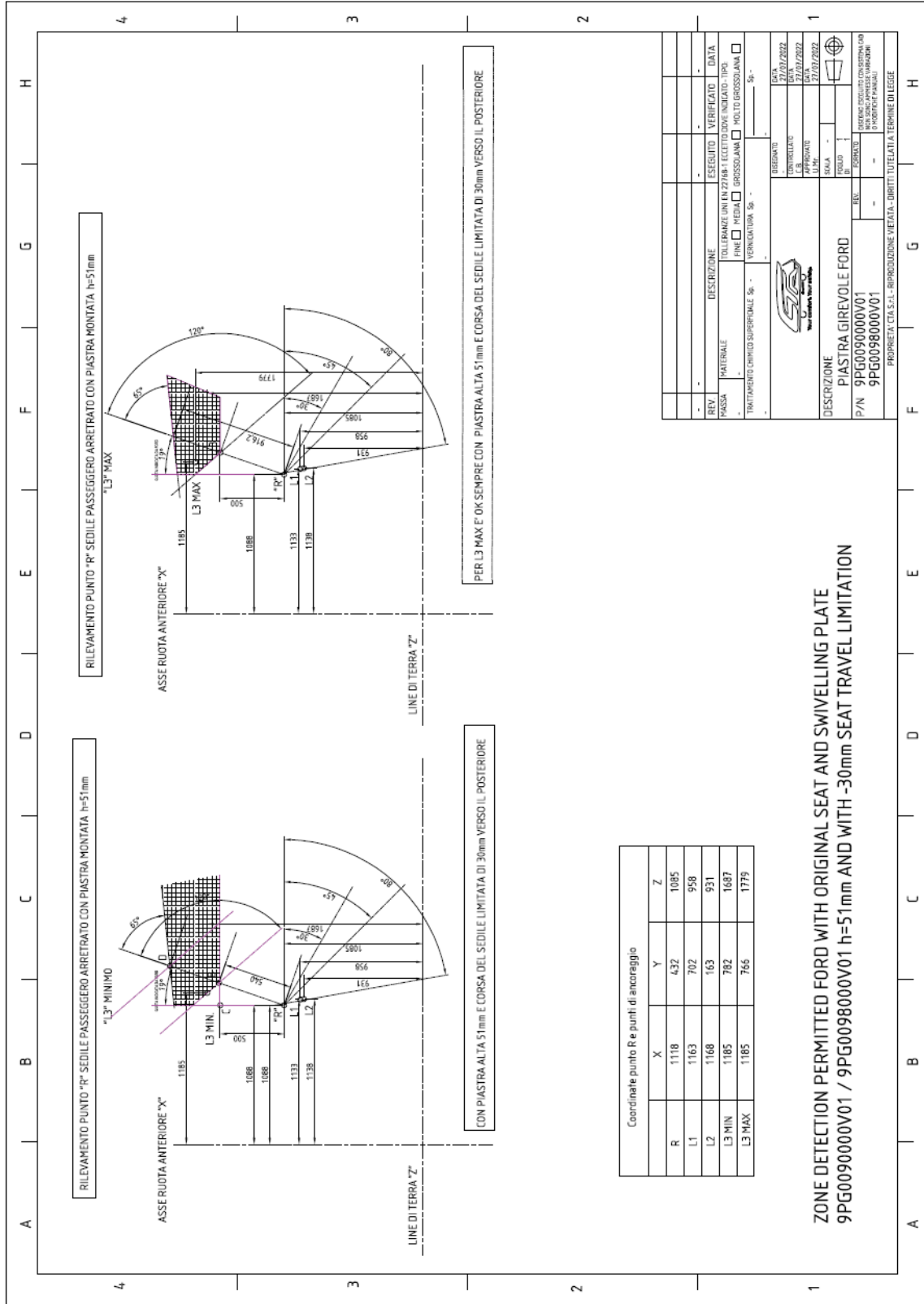
ALLEGATO B
ANNEX B

DOCUMENTAZIONE TECNICA
TECHNICAL DOCUMENTATION

COD. 1D.00/016-22/CTA




COD. 1D.01/016-22/CTA



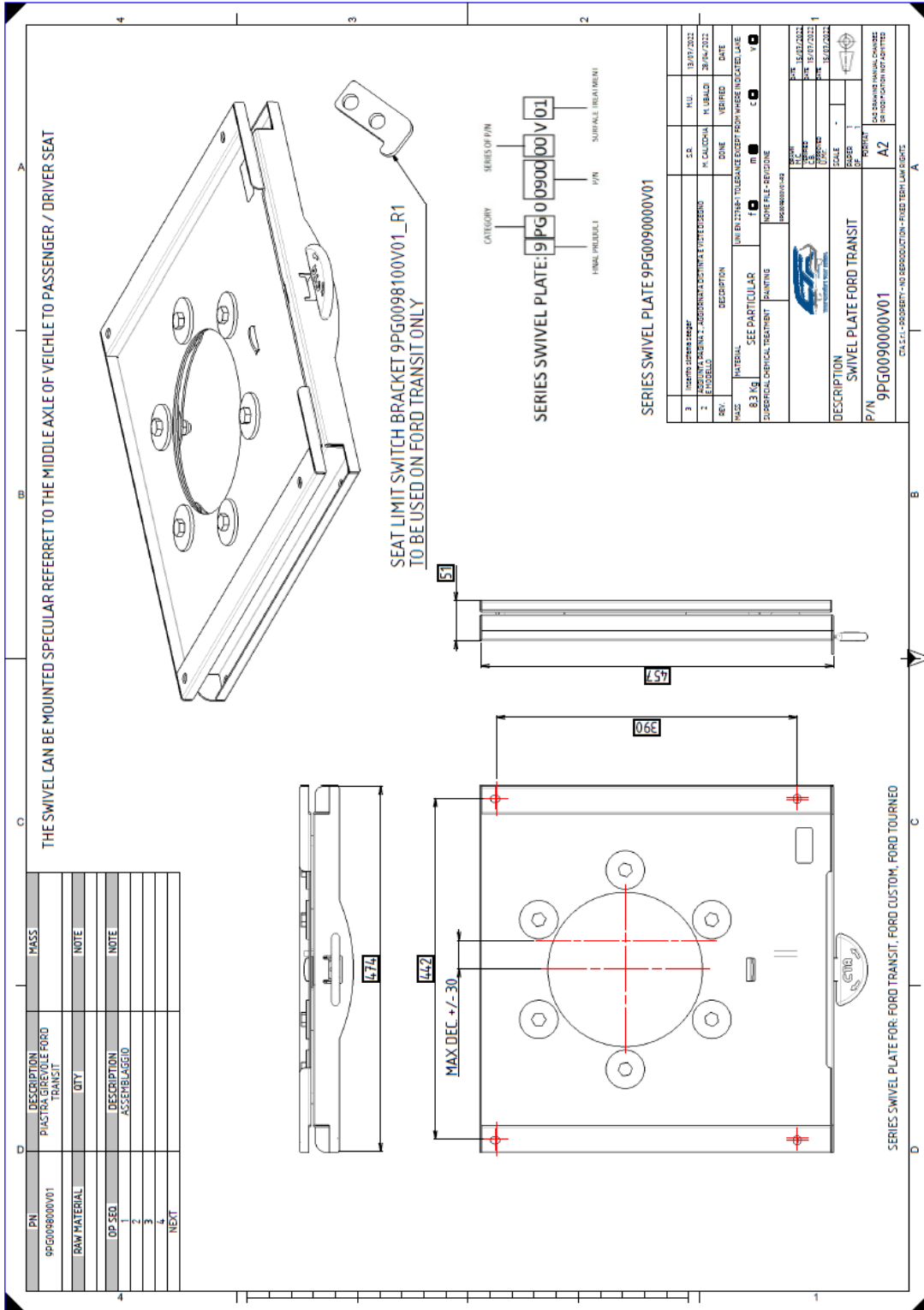
Coordinate punto R e punti di ancoraggio

	X	Y	Z
R	1118	432	1085
L1	1163	702	958
L2	1168	163	931
L3 MIN	1185	782	1687
L3 MAX	1185	766	1779

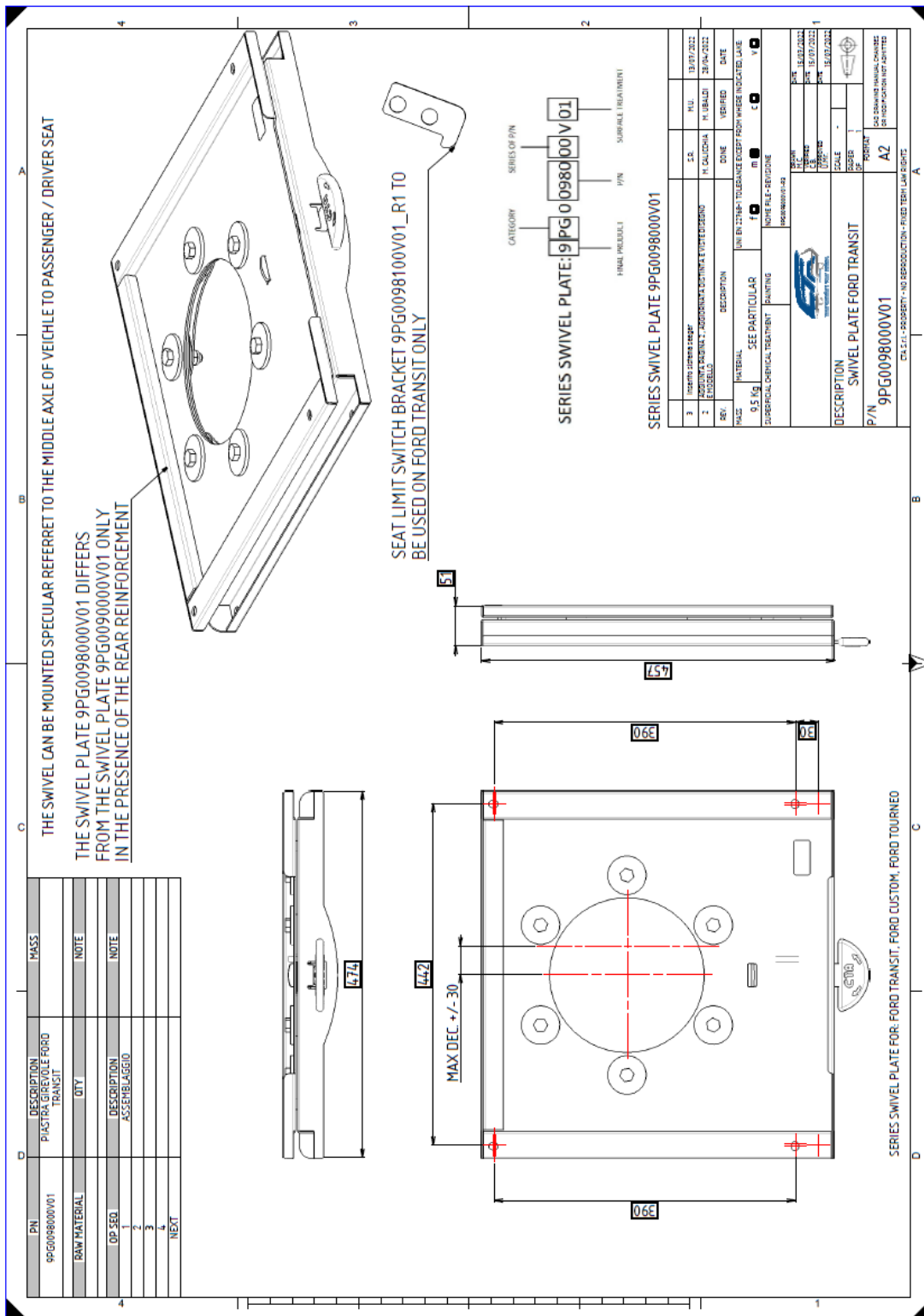
ZONE DETECTION PERMITTED FORD WITH ORIGINAL SEAT AND SWIVELLING PLATE
9PG0090000V01 / 9PG0098000V01 h=51mm AND WITH -30mm SEAT TRAVEL LIMITATION

REV.	DESCRIZIONE	ESEGUITO	VERIFICATO	DATA
-	-	-	-	-
-	-	-	-	-
MATERIALE	TOLLERANZE UNI EN 22768 - ELETTOLEZIONE INCHIARATO - TIPO			
FINI	<input type="checkbox"/> MEDIA	<input type="checkbox"/> GROSSOLANA	<input type="checkbox"/> MOLTO GROSSOLANA	<input type="checkbox"/>
TREATMENTO PERICOLO SUPERFICIALE	VERNICATURA 50 - 50 - 50 -			
				
DESCRIZIONE PIASTRA GIREVOLE FORD				
P/N 9PG0090000V01				
9PG0098000V01				
PROPRIETA' CTA S.r.l. - RIPRODUZIONE VIETATA - DIRITTI TUTELATI A TERMINE DI LEGGE				

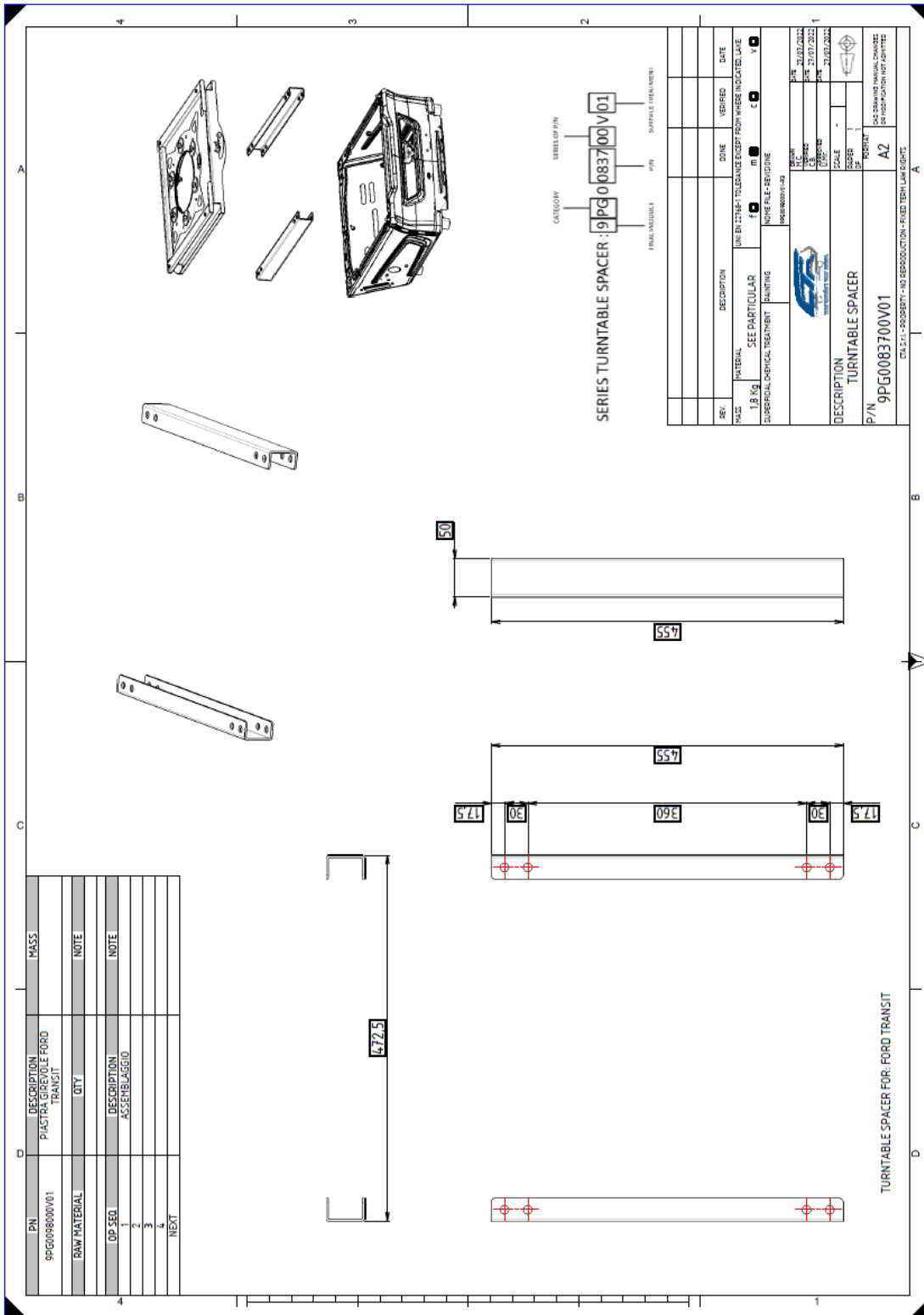
COD. 1D.02/016-22/CTA



COD. 1D.03/016-22/CTA



COD. 1D.04/016-22/CTA



C.T.A. S.r.l.

DOCUMENTAZIONE INFORMATIVA

INFORMATION DOCUMENT

INDICE DEL CONTENUTO

INDEX OF CONTENT

Scheda informativa numero **01gTChS** **del** **18.07.2022**
Information document number **dated**

0.-	DATI GENERALI GENERAL	pag. 1/7 page
1.-	CARATTERISTICHE COSTRUTTIVE GENERALI DEL VEICOLO GENERAL CONSTRUCTION CHARACTERISTICS OF THE VEHICLE	pag. 1/7 page
9.-	CARROZZERIA BODYWORK	pag. 2/7 page
IDENTIFICAZIONI DEL TIPO DEL COSTRUTTORE IDENTIFICATION OF TYPE OF MANUFACTURER		pag. 1÷1 page
ALLEGATI ALLA SCHEDA INFORMATIVA ANNEXES TO THE INFORMATION DOCUMENT		
ALLEGATO -A- ANNEX -A-	SCHEMI - ZONE AUTORIZZATE DIAGRAMS - AUTHORIZED AREAS	pag. 1÷3 page
ALLEGATO -B- ANNEX -B-	ANCORAGGI DELLE CINTURE DI SICUREZZA E DEL SEDILE SAFETY BELT AND SEAT ANCHORAGES	pag. 1÷35 page
ALLEGATO -C- ANNEX -C-	PIASTRA GIREVOLE E INVERSIONE FRENO A MANO CTA SWIVEL PLATE AND HANDBRAKE REVERSAL CTA	pag. 1÷4 page

Regolamento n. 14 (Regolamento 14, serie 09 di modifiche) della
Commissione economica per l'Europa delle Nazioni Unite (UN/ECE).

Regulation No 14 (Regulation No 14, 09 series of amendment) of the Economic
Commission for Europe of the United Nations (UNECE).

SCHEDA INFORMATIVA
INFORMATION DOCUMENT

Numero/del
Number/dated

01gTCThS

18.07.2022

DENOMINAZIONE COMMERCIALE COSTRUTTORE

TRADE NAME OF MANUFACTURER

CTA

TIPOLOGIA DEL VEICOLO

VEHICLE TYPE

VEICOLO A MOTORE

MOTOR VEHICLE

EVENTUALE FUNZIONE SPECIFICA

EVENTUAL SPECIFIC FUNCTION

AUTOVEICOLO

MOTOR VEHICLE

DENOMINAZIONE DEL TIPO

TYPE

CTAFTC FORD-N

0.	DATI GENERALI GENERAL
0.1.	Marca (denominazione commerciale del costruttore): Make (trade name of manufacturer): CTA
0.2.	Tipo e designazione(i) commerciale(i) generale(i): Type and general commercial description(s): CTAFTC FORD-N
0.3.	Mezzi di identificazione del tipo, se marcati sul veicolo: Means of identification of type, if marked on the vehicle: WFOXXX???????????
0.3.1.	Posizione della marcatura: Location of that marking: nel passaruota, davanti a destra in the wheel arch, front right
0.4.	Categoria del veicolo: Category of vehicle: M1-N1
0.5.	Nome e indirizzo del costruttore/fabbricante: Name and address of manufacturer: C.T.A. S.r.l. Via Groenlandia, 23 POMEZIA (RM) - ITALIA
0.8.	Indirizzo dello o degli stabilimenti di montaggio Address(es) of assembly plant(s): C.T.A. S.r.l. Via Groenlandia, 23 POMEZIA (RM) - ITALIA
1.	CARATTERISTICHE COSTRUTTIVE GENERALI DEL VEICOLO GENERAL CONSTRUCTION CHARACTERISTICS OF THE VEHICLE
1.1.	Fotografie e/o disegni di un veicolo rappresentativo: Photographs and/or drawings of a representative vehicle: vedi disegni, Allegato -A- see drawings, Annex -A-

9.	CARROZZERIA BODYWORK	
9.10.	Finiture interne Interior fittings	
9.10.3.	Sedili: Seats:	
9.10.3.1.	Numero di posti a sedere: Number of seating positions:	2
9.10.3.1.1.	Ubicazione e soluzioni: Location and arrangement	
	anteriori: sedili singoli frontemarcia, con piastra girevole front: single forward-facing seats, with swivel plate	
	posteriori: N.R. rear: N/A	
	vedi disegni, Allegato -A- see drawings, Annex -A-	
9.10.3.2.	Posti a sedere da usare solo a veicolo fermo: Seat(s) designated for use only when the vehicle is stationary:	
	N.R. N/A	
9.10.3.3.	Massa: Mass:	
	anteriori: 38 kg	sedile singolo frontemarcia, con piastra girevole codice 9PG0090000V01
	38 kg	sedile singolo frontemarcia, con piastra girevole codice 9PG0098000V01
	front: 38 kg	single forward-facing seat, with swivel plate code 9PG0090000V01
	38 kg	single forward-facing seat, with swivel plate code 9PG0098000V01
	posteriori: N.R. rear: N/A	

9.10.3.4. Caratteristiche: descrizioni e disegni di:
Characteristics: descriptions and drawings of:

9.10.3.4.1. Sedili e loro ancoraggi:
The seats and their anchorages:

anteriori: come Fase 1
front: as Stage 1

posteriori: N.R.
rear: N/A
vedi disegni, Allegato -B-
see drawings, Annex -B-

9.10.3.4.2. Sistema di regolazione:
The adjustment system:

anteriori: come Fase 1
front: as Stage 1
posteriori: N.R.
rear: N/A
vedi disegni, Allegato -B-
see drawings, Annex -B-

9.10.3.4.3. Sistemi di spostamento e di blocco:
The displacement and locking systems:

anteriori: come Fase 1
front: as Stage 1
posteriori: N.R.
rear: N/A
vedi disegni, Allegato -B-
see drawings, Annex -B-

9.10.3.4.4. Ancoraggi delle cinture di sicurezza (se incorporati nella struttura del sedile):
The seat belt anchorages (if incorporated in the seat structure):

Tutti gli ancoraggi consistono in un foro munito di boccola filettata per bullone 7/16".
All anchorages consist of a hole with a threaded bushing for a 7/16" bolt.

anteriori: sono previsti ancoraggi a tre punti, i due inferiore ricavati sulla struttura del sedile mentre quello superiore sulla carrozzeria del veicolo.

front: three point anchorages are foreseen, the two lower ones obtained on the seat structure and the upper one on the vehicle bodywork.

posteriori: N.R.
rear: N/A

vedi disegni, Allegato -A- e Allegato -B-
see drawings, Annex -A- and Annex -B-

9.10.3.5.	Coordinate o disegni dei punti R: Coordinates or drawing of the R-point:	
9.10.3.5.1.	Sedile del conducente: Driver's seat:	vedi disegni, Allegato -A- see drawings, Annex -A-
9.10.3.5.2.	Tutti gli altri posti a sedere: All other seating positions:	vedi disegni, Allegato -A- see drawings, Annex -A-
9.10.3.6.	Angolo previsto di inclinazione dello schienale: Design torso angle of:	
9.10.3.6.1.	Sedile del conducente Driver's seat:	19°
9.10.3.6.2.	Tutti gli altri posti a sedere: All other seating positions:	anteriori: 19° front: posteriori: N.R. rear: N/A
9.10.3.7.	Corsa di regolazione del sedile: Range of seat adjustment:	
9.10.3.7.1.	Sedile del conducente Driver's seat:	come Fase 1 as Stage 1 vedi disegni, Allegato -B- see drawings, Annex -B-
9.10.3.7.2.	Tutti gli altri posti a sedere: All other seating positions:	anteriori: come Fase 1 front: as Stage 1 posteriori: N.R. rear: N/A vedi disegni, Allegato -B- see drawings, Annex -B-
9.12.2.	Natura e ubicazione di sistemi supplementari di ritenuta (indicare sì/no/facoltativo) Nature and position of supplementary restraint systems (indicate yes/no/optional)	N.R. N/A

9.13.	Ancoraggi delle cinture di sicurezza Safety belt anchorages				
9.13.1.	Fotografie e/o disegni della carrozzeria con la posizione e le dimensioni degli ancoraggi reali ed effettivi, le indicazioni dei punti R: Photographs and/or drawings of the bodywork showing the position and dimensions of the actual and the effective anchorages including the R-points: vedi disegni, Allegato -A- e Allegato -B- see drawings, Annex -A- and Annex -B-				
9.13.2.	Disegni degli ancoraggi delle cinture di sicurezza e parti della struttura del veicolo su cui sono fissati (con indicazione dei materiali impiegati): Drawings of the belt anchorages and parts of the vehicle structure where they are attached (with the material indication): vedi disegni, Allegato -A- e Allegato -B- see drawings, Annex -A- and Annex -B-				
9.13.3.	Indicazione dei tipi di cinture di sicurezza di cui è autorizzata l'installazione agli ancoraggi del veicolo: Designation of the types of safety belts authorized for fitting to the anchorages with which the vehicle is equipped:				
			Ubicazione dell'ancoraggio Anchorage location		
	Fila Row	Sedile Seat	Posizione dell'ancoraggio Anchorage position	Struttura del veicolo Vehicle structure	
				Struttura del sedile Seat structure	
	Prima fila di sedili (anteriore) First row of seats (front)	Sedile lato destro Right-hand seat	Ancoraggio inferiore esterno Lower outboard anchorage	---	Ar
			Ancoraggio inferiore interno Lower inboard anchorage	---	Ar
			Ancoraggio(i) superiore(i) Upper anchorage(s)	Ar	---
		Sedile centrale Centre seat	Ancoraggio inferiore esterno Lower outboard anchorage	---	---
			Ancoraggio inferiore interno Lower inboard anchorage	---	---
			Ancoraggio(i) superiore(i) Upper anchorage(s)	---	---
		Sedile lato sinistro Left-hand seat	Ancoraggio inferiore esterno Lower outboard anchorage	---	Ar
			Ancoraggio inferiore interno Lower inboard anchorage	---	Ar
			Ancoraggio(i) superiore(i) Upper anchorage(s)	Ar	---
	Seconda fila di sedili (post.) Second row of seats (rear)	Sedile lato destro Right-hand seat	Ancoraggio inferiore esterno Lower outboard anchorage	---	---
			Ancoraggio inferiore interno Lower inboard anchorage	---	---
			Ancoraggio(i) superiore(i) Upper anchorage(s)	---	---
		Sedile centrale Centre seat	Ancoraggio inferiore esterno Lower outboard anchorage	---	---
			Ancoraggio inferiore interno Lower inboard anchorage	---	---
			Ancoraggio(i) superiore(i) Upper anchorage(s)	---	---
		Sedile lato sinistro Left-hand seat	Ancoraggio inferiore esterno Lower outboard anchorage	---	---
			Ancoraggio inferiore interno Lower inboard anchorage	---	---
			Ancoraggio(i) superiore(i) Upper anchorage(s)	---	---

Terza fila di sedili (post.) Third row of seats (rear)	Sedile lato destro Right-hand seat	Ancoraggio inferiore esterno Lower outboard anchorage	---	---
		Ancoraggio inferiore interno Lower inboard anchorage	---	---
		Ancoraggio(i) superiore(i) Upper anchorage(s)	---	---
	Sedile centrale Centre seat	Ancoraggio inferiore esterno Lower outboard anchorage	---	---
		Ancoraggio inferiore interno Lower inboard anchorage	---	---
		Ancoraggio(i) superiore(i) Upper anchorage(s)	---	---
	Sedile lato sinistro Left-hand seat	Ancoraggio inferiore esterno Lower outboard anchorage	---	---
		Ancoraggio inferiore interno Lower inboard anchorage	---	---
		Ancoraggio(i) superiore(i) Upper anchorage(s)	---	---
Quarta fila di sedili (post.) Fourth row of seats (rear)	Sedile lato destro Right-hand seat	Ancoraggio inferiore esterno Lower outboard anchorage	---	---
		Ancoraggio inferiore interno Lower inboard anchorage	---	---
		Ancoraggio(i) superiore(i) Upper anchorage(s)	---	---
	Sedile centrale Centre seat	Ancoraggio inferiore esterno Lower outboard anchorage	---	---
		Ancoraggio inferiore interno Lower inboard anchorage	---	---
		Ancoraggio(i) superiore(i) Upper anchorage(s)	---	---
	Sedile lato sinistro Left-hand seat	Ancoraggio inferiore esterno Lower outboard anchorage	---	---
		Ancoraggio inferiore interno Lower inboard anchorage	---	---
		Ancoraggio(i) superiore(i) Upper anchorage(s)	---	---

9.13.4. Descrizione di un tipo particolare di cintura di sicurezza in cui un ancoraggio è fissato allo schienale del sedile o comprende un dispositivo per la dissipazione di energia:

Description of a particular type of safety belt where an anchorage is located in the seat backrest or incorporates an energy-dissipating device:

N.R.

N/A

NOTE: SISTEMI DI ANCORAGGIO DESTINATI AL FORD TRANSIT, TOURNEO CUSTOM, TRANSIT CUSTOM
Valido per i veicoli di categoria M1-N1

Lo spostamento del sedile può essere di 241 mm in avanti e 41 mm all'indietro.

Si fa presente che i sedili interessati dalle verifiche e prove sono riservati alla zona anteriore del veicolo. Si tratta di due sedili singoli frontemarcia (conducente e passeggero della prima fila di sedili), dotati di piastre girevoli come sopra descritto con un sistema a tre punti di ancoraggio. I due punti di ancoraggio inferiore sono ricavati sulla struttura del sedile mentre quello superiore sulla carrozzeria del veicolo e il sedile è fissato al pavimento tramite un sistema di ancoraggio al telaio previsto dal costruttore del veicolo base.

Di seguito sono riportate ulteriori informazioni.

ANCHORAGE SYSTEMS FOR FORD TRANSIT, TOURNEO CUSTOM, TRANSIT CUSTOM

Valid for categories of vehicle M1-N1

The displacement of the seat can be 241 mm forward and 41 mm rearward.

Please note that the seats involved in the checks and tests are reserved for the front area of the vehicle. These are two single forward facing seats (driver and passenger in the first row of seats), equipped with rotating plates as described above with a three-point anchorage system. The two lower anchoring points are obtained on the seat structure while the upper one on the vehicle body and the seat is fixed to the floor by means of an anchoring system to the frame provided by the manufacturer of the base vehicle.

Further information is provided below.



SCHEDA INFORMATIVA / INFORMATION SHEET

Prodotti di riferimento

Reference products:

- Piastra girevole / Swivel plate 9PG0090000V01
- Piastra girevole / Swivel plate 9PG0098000V01

Le piastre girevoli sopra elencate possono essere installate sui sedili lato guida e passeggero dei seguenti veicoli:

The swivel plates listed above can be installed on the driver's and passenger's side seats of the following vehicles:

- Ford transit
- Ford tourneo Custom
- Ford transit Custom

Prodotti supplementari per sedile lato guida:

Additional products for driver's side seat:

- Kit piastra freno a mano 9PG0152600V01
- Kit spessori piastra 9PG0083700V01

Abbinamenti piastre girevoli e kit sedile lato guida:

Swivel plate combinations and driver's side seat kits:

VEICOLO / VEHICLE	PIASTRA GIREVOLE / SWIVEL PLATE	KIT PER SEDILE LATO GUIDA / DRIVER'S SIDE SEAT KIT
Ford transit	9PG0090000V01 9PG0098000V01	Kit spessori sedile / Seat thickness kit 9PG0083700V01 or kit staffa freno a mano / Handbrake bracket kit 9PG0152600V01
Ford tourneo Custom	9PG0090000V01 9PG0098000V01	*Kit staffa freno a mano / Handbrake bracket kit 9PG0152600V01
Ford transit Custom	9PG0090000V01 9PG0098000V01	*Kit staffa freno a mano / Handbrake bracket kit 9PG0152600V01

*L'installazione del kit 9PG0152600V01 staffa freno a mano non richiede la modifica delle regolazioni originale del freno a mano del veicolo.

*Installation of the 9PG0152600V01 hand brake bracket kit does not require changing the vehicle's original handbrake adjustments.



SCHEDA INFORMATIVA / INFORMATION SHEET

Compatibilità con	Piastra girevole	Omologazione UE
Ford Transit	9PG0090000V01 9PG0098000V01	e1*2007/46*1100
Ford Tourneo Custom	9PG0090000V01 9PG0098000V01	e1*2007/46*1005
Ford Transit Custom	9PG0090000V01 9PG0098000V01	e1*2007/46*1005

Compatibility with	Swivel plate	Omologation UE
<i>Ford Transit</i>	<i>9PG0090000V01 9PG0098000V01</i>	<i>e1*2007/46*1100</i>
<i>Ford Tourneo Custom</i>	<i>9PG0090000V01 9PG0098000V01</i>	<i>e1*2007/46*1005</i>
<i>Ford Transit Custom</i>	<i>9PG0090000V01 9PG0098000V01</i>	<i>e1*2007/46*1005</i>

IDENTIFICAZIONI DEL TIPO DEL COSTRUTTORE
IDENTIFICATION OF TYPE OF MANUFACTURER

IDENTIFICAZIONE DEL TIPO
(Type identification)

Item	1÷3	CTA	Identificazione CTA S.r.l. CTA S.r.l. Identification
Item	4	F	Identificazione costruttore veicolo base Base vehicle manufacturer identification FORD
Item	5-6	TC	Transit
Item	7÷10	FORD	Marchio del veicolo Make of vehicle
Item	11	-	Separatore Separator
Item	12	N	Ministero d'Irlanda Ministry of Ireland

ALLEGATO -A-
ANNEX -A-

(SCHEMI - ZONE AUTORIZZATE)
(DIAGRAMS - AUTHORIZED AREAS)

SCHEDA INFORMATIVA DI RIFERIMENTO
REFERENCE INFORMATION DOCUMENT

Numero/del **01gTCThS** **18.07.2022**
Number/dated

DENOMINAZIONE COMMERCIALE COSTRUTTORE
TRADE NAME OF MANUFACTURER
CTA

TIPOLOGIA DEL VEICOLO
VEHICLE TYPE
VEICOLO A MOTORE
MOTOR VEHICLE

EVENTUALE FUNZIONE SPECIFICA
EVENTUAL SPECIFIC FUNCTION
AUTOVEICOLO
MOTOR VEHICLE

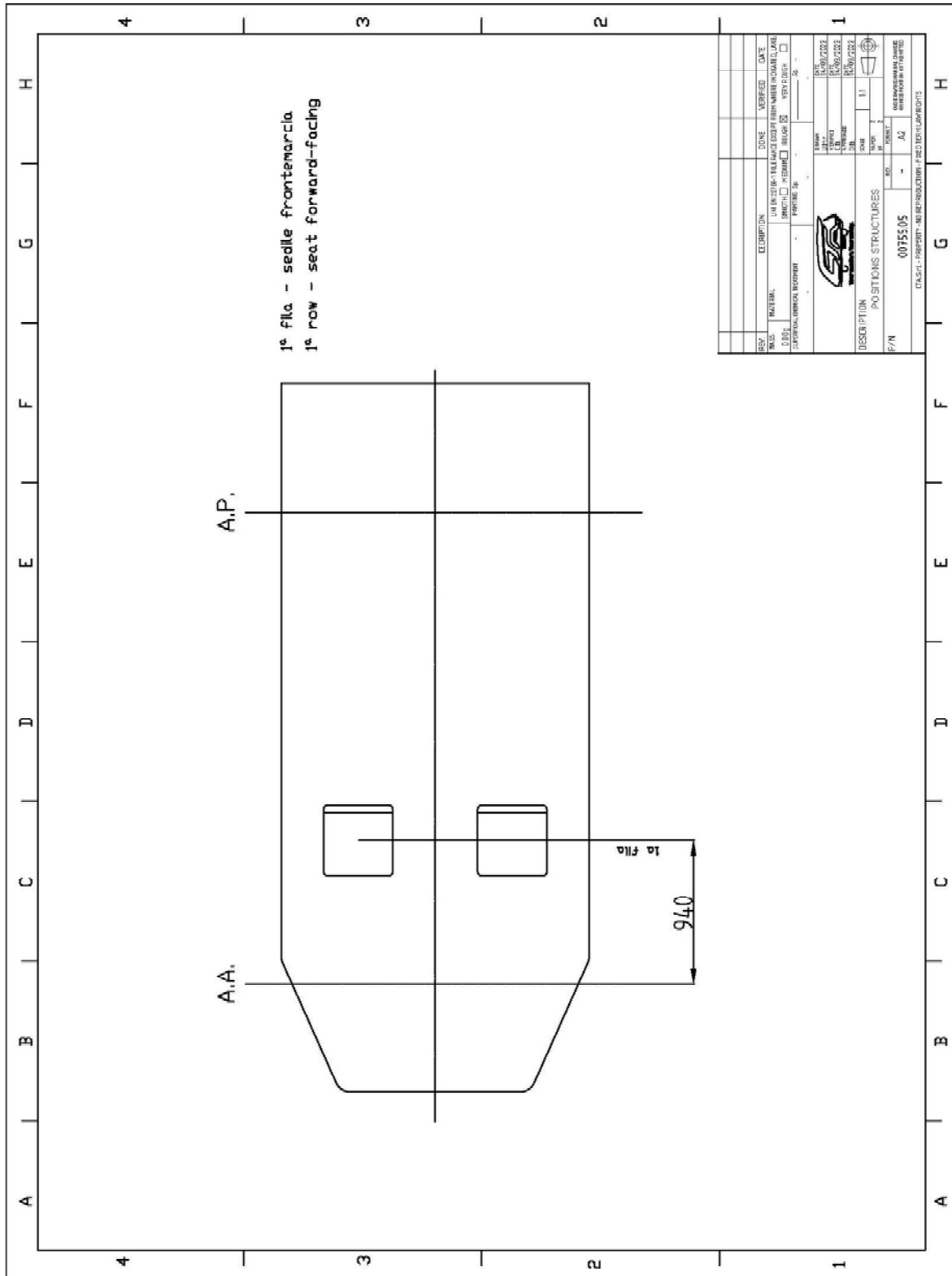
DENOMINAZIONE DEL TIPO
TYPE
CTAFTC FORD-N

INDICE DEL CONTENUTO ALLEGATO -A-
INDEX OF CONTENT ANNEX -A-

ARGOMENTO SUBJECT	Riferimento Reference	Pagina Page
Vista in pianta del veicolo Internal view of the vehicle	CTA	1
Posizione punto R Position point R		
Zone autorizzate sedile singolo frontemarcia (rif. Disegno CTA n. 9PG0090000V01, 9PG0098000V01) Authorized areas forward-facing single seat (ref. Drawing CTA n. 9PG0090000V01, 9PG0098000V01)	CTA	2
Zone autorizzate sedile singolo frontemarcia (rif. Disegno CTA n. 9PG0090000V01, 9PG0098000V01) Authorized areas forward-facing single seat (ref. Drawing CTA n. 9PG0090000V01, 9PG0098000V01)	CTA	3

Vista in pianta del veicolo
 Internal view of the vehicle

DISEGNO Numero
DRAWING Number



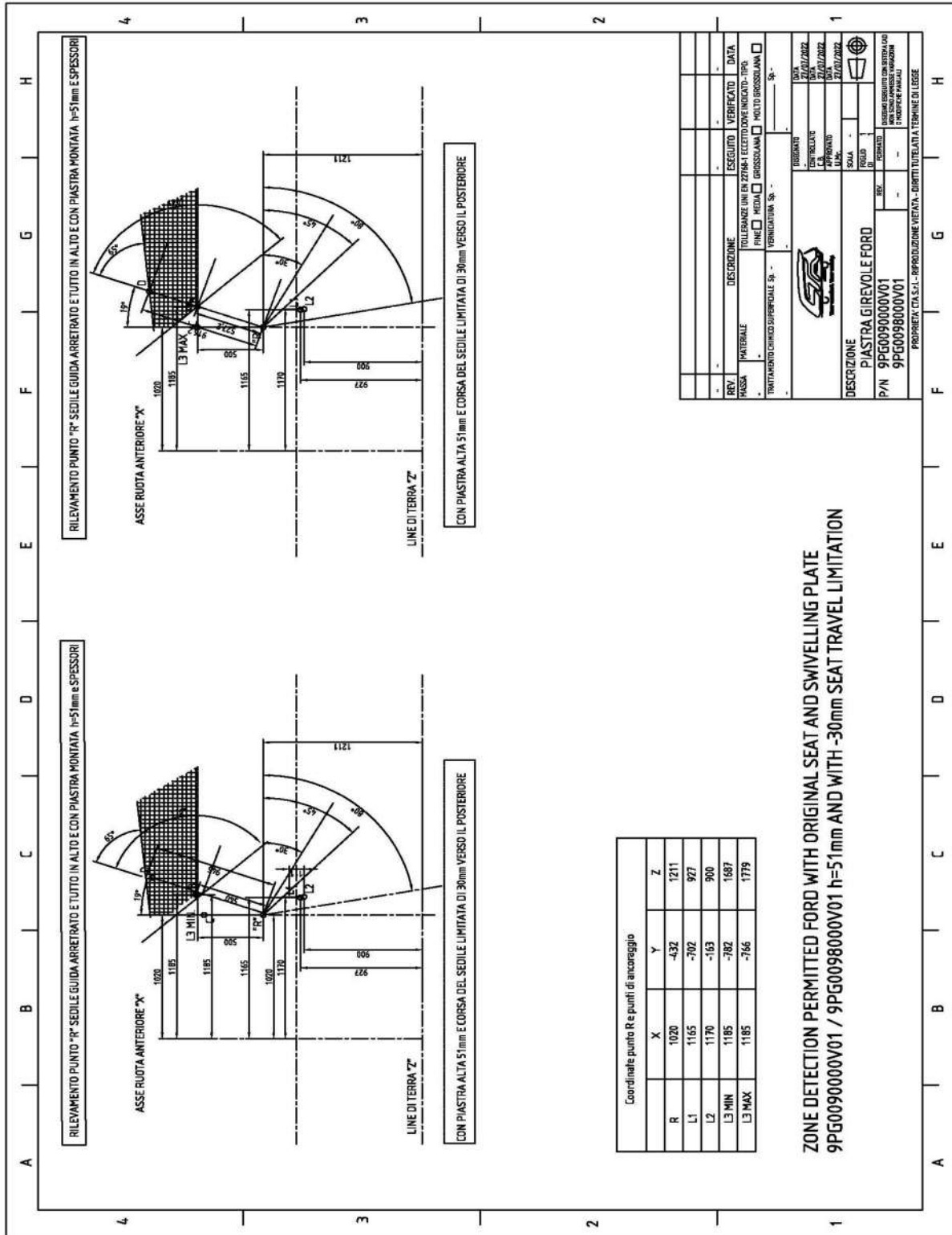
Zone autorizzate sedile singolo frontemarcia (rif. Disegno CTA n. 9PG0090000V01, 9PG0098000V01)

Authorized areas forward-facing single seat (ref. Drawing CTA n. 9PG0090000V01, 9PG0098000V01)

DISEGNO Numero

CTA

DRAWING Number



REV.	MATERIALE	DESCRIZIONE	ESEGUITO	VERIFICATO	DATA
-	-	TOLLERANZE UNI EN 27134 - ECCEZIONE INDICATA - TIPO: FINO <input type="checkbox"/> MEDIA <input type="checkbox"/> GROSSOLANA <input type="checkbox"/>	-	-	-
-	-	TREATMENTO CHIMICO SUPERFICIALE S1 - VERNICIATURA S1 -	-	-	-

DISEGNO	DATA
CON RICHIAMI	01/01/2022
PROVATO	01/01/2022
IN ACC.	01/01/2022
SOGLIA	01/01/2022
REDAZIONE	-
REVISIONI	-

DESCRIZIONE	PIASTRA GIREVOLE FORD
P/N	9PG0090000V01
	9PG0098000V01

PROPRIETA' C.T.A.S.I. - RIPRODUZIONE VIETATA - DIRITTI TUTELATI A TERMINI DI LEGGE

**ZONE DETECTION PERMITTED FORD WITH ORIGINAL SEAT AND SWIVELLING PLATE
 9PG0090000V01 / 9PG0098000V01 h=51mm AND WITH -30mm SEAT TRAVEL LIMITATION**

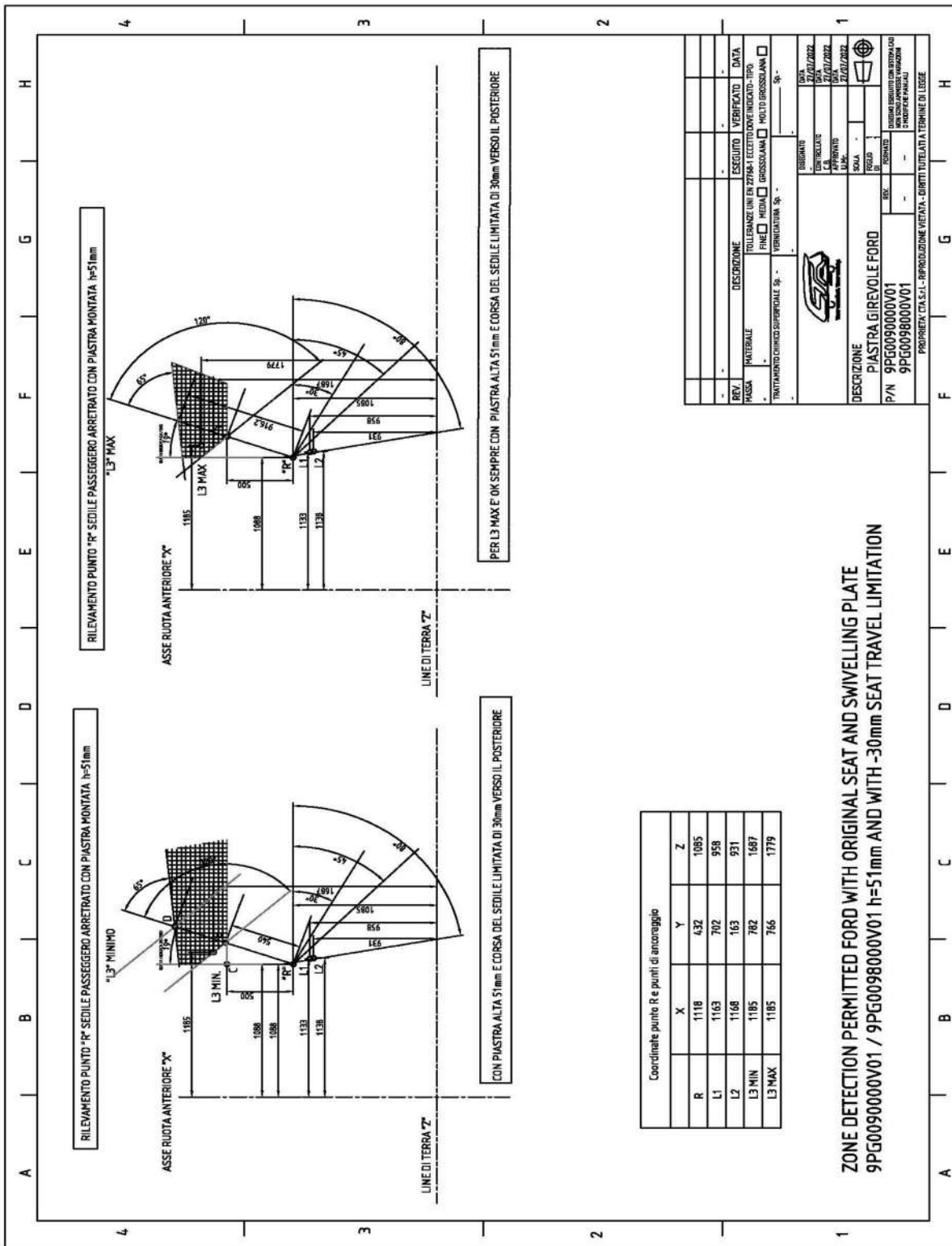
Zone autorizzate sedile singolo frontemarcia (rif. Disegno CTA n. 9PG0090000V01, 9PG0098000V01)

Authorized areas forward-facing single seat (ref. Drawing CTA n. 9PG0090000V01, 9PG0098000V01)

DISEGNO Numero

CTA

DRAWING Number



ALLEGATO -B-
ANNEX -B-

(ANCORAGGI DELLE CINTURE DI SICUREZZA E DEL SEDILE)
(SAFETY BELT AND SEAT ANCHORAGES)

SCHEDA INFORMATIVA DI RIFERIMENTO
REFERENCE INFORMATION DOCUMENT

Numero/del **01gTCThS** **18.07.2022**
Number/dated

DENOMINAZIONE COMMERCIALE COSTRUTTORE
TRADE NAME OF MANUFACTURER
CTA

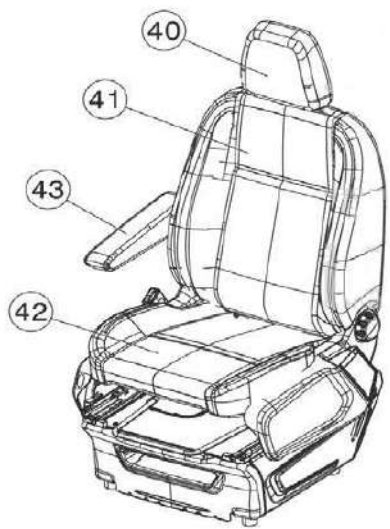
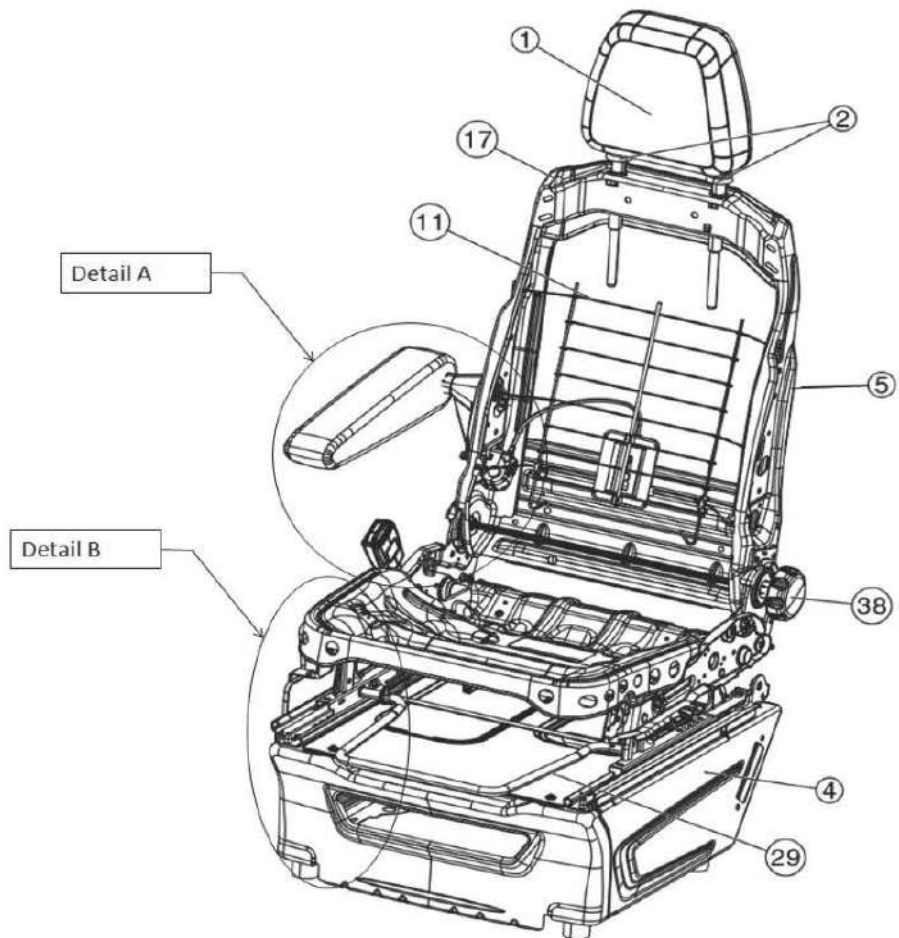
TIPOLOGIA DEL VEICOLO
VEHICLE TYPE
VEICOLO A MOTORE
MOTOR VEHICLE

EVENTUALE FUNZIONE SPECIFICA
EVENTUAL SPECIFIC FUNCTION
AUTOVEICOLO
MOTOR VEHICLE

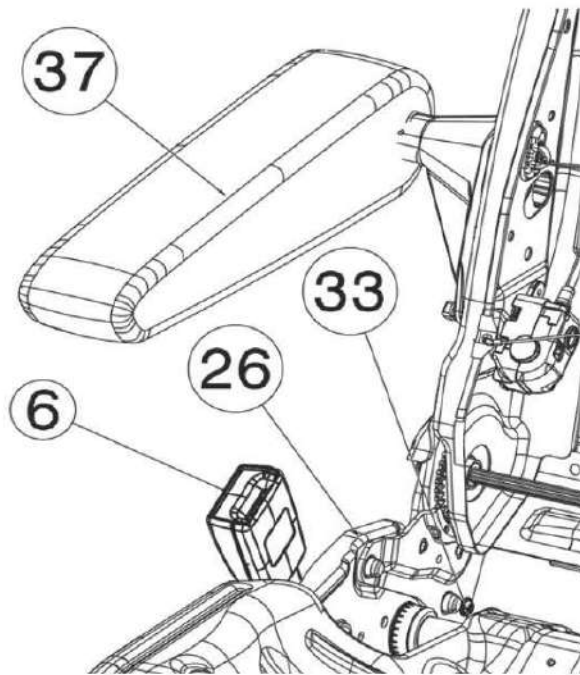
DENOMINAZIONE DEL TIPO
TYPE
CTAFTC FORD-N

INDICE DEL CONTENUTO ALLEGATO -B-
INDEX OF CONTENT ANNEX -B-

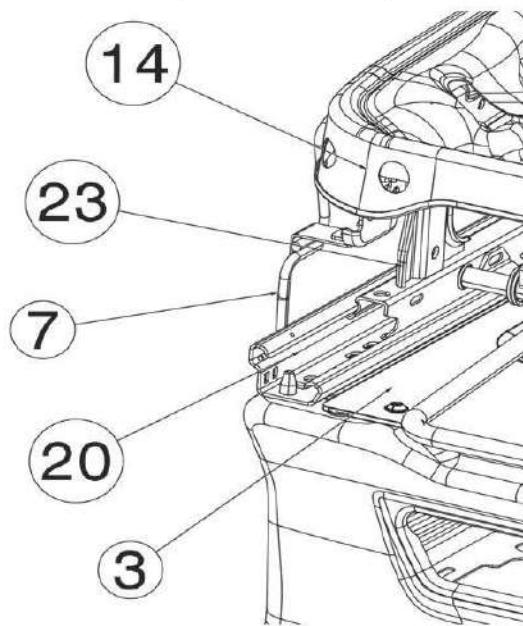
ARGOMENTO SUBJECT	Riferimento Reference	Pagina Page
Ancoraggi delle cinture di sicurezza e del sedile Safety belt and seat anchorages	----	----



Title
FRONT SEAT 2 WAY MANUAL (A)



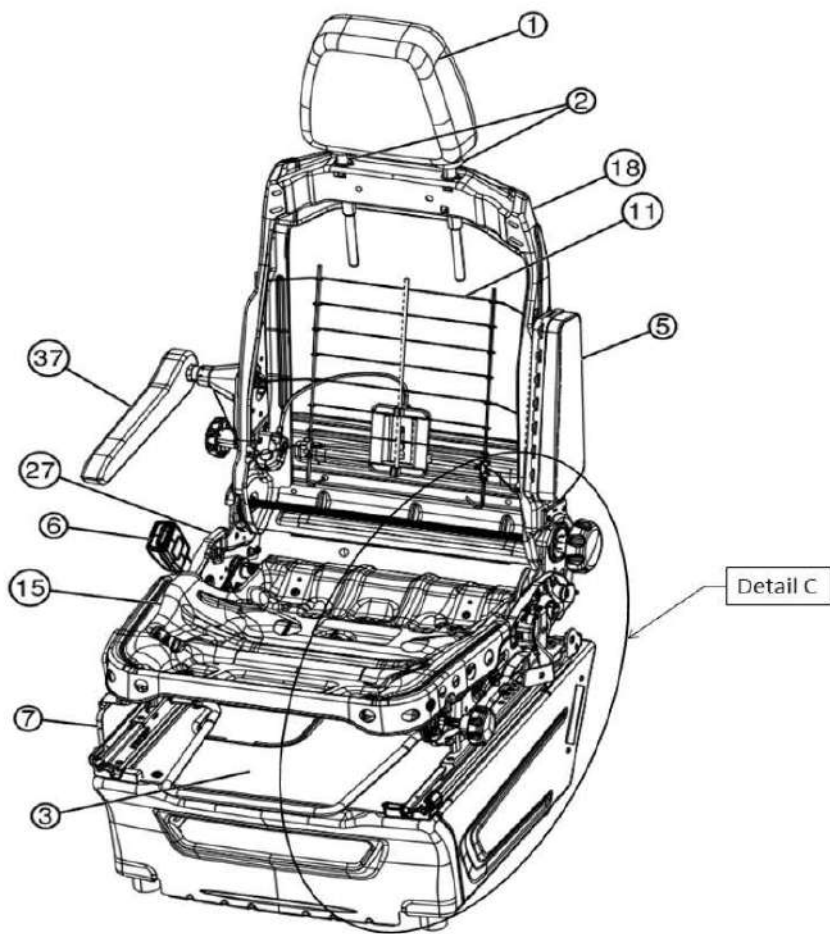
Detail A



Detail B

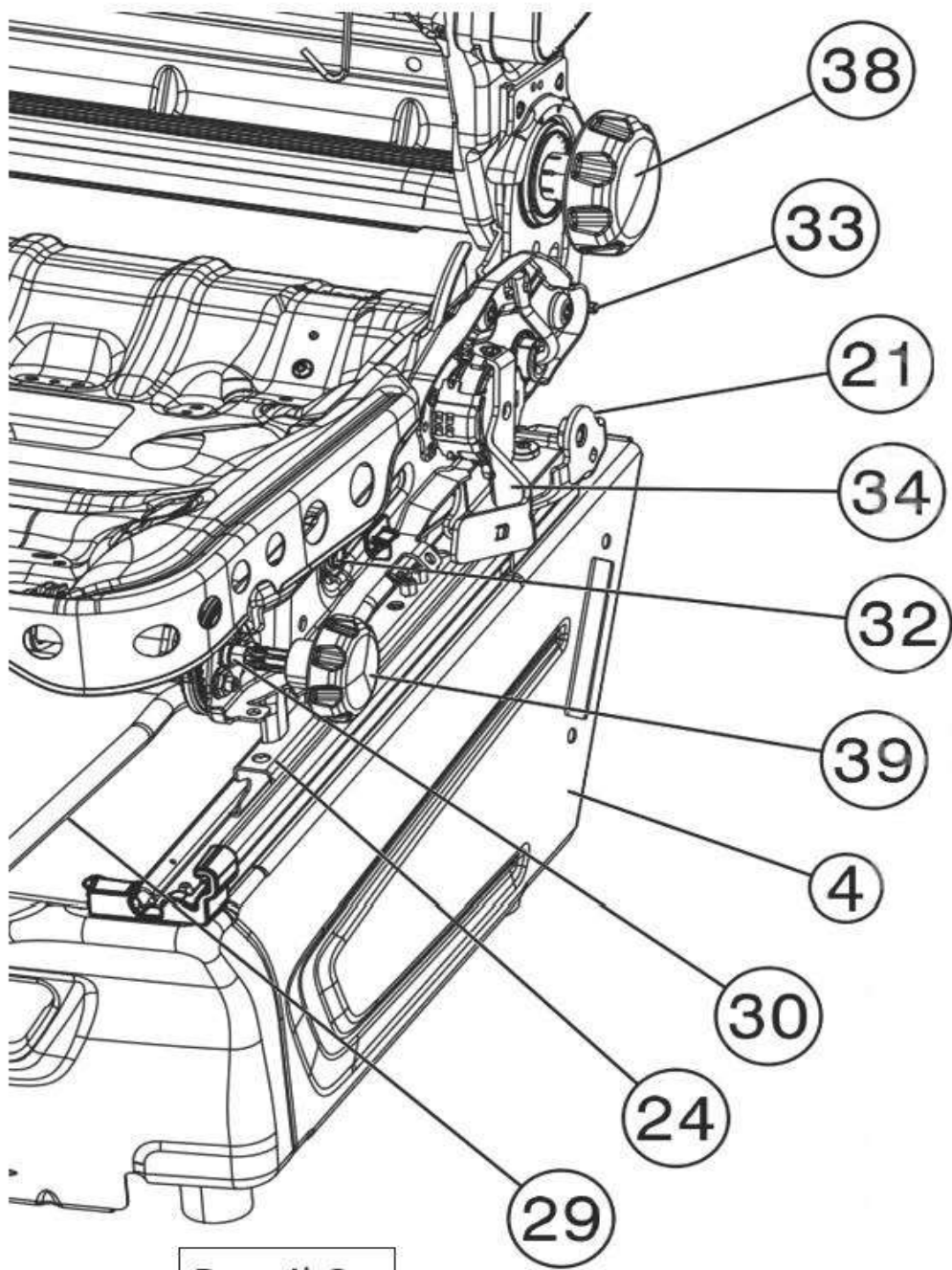
Title

FRONT SEAT 2 WAY MANUAL (A), DETAIL VIEW A & B



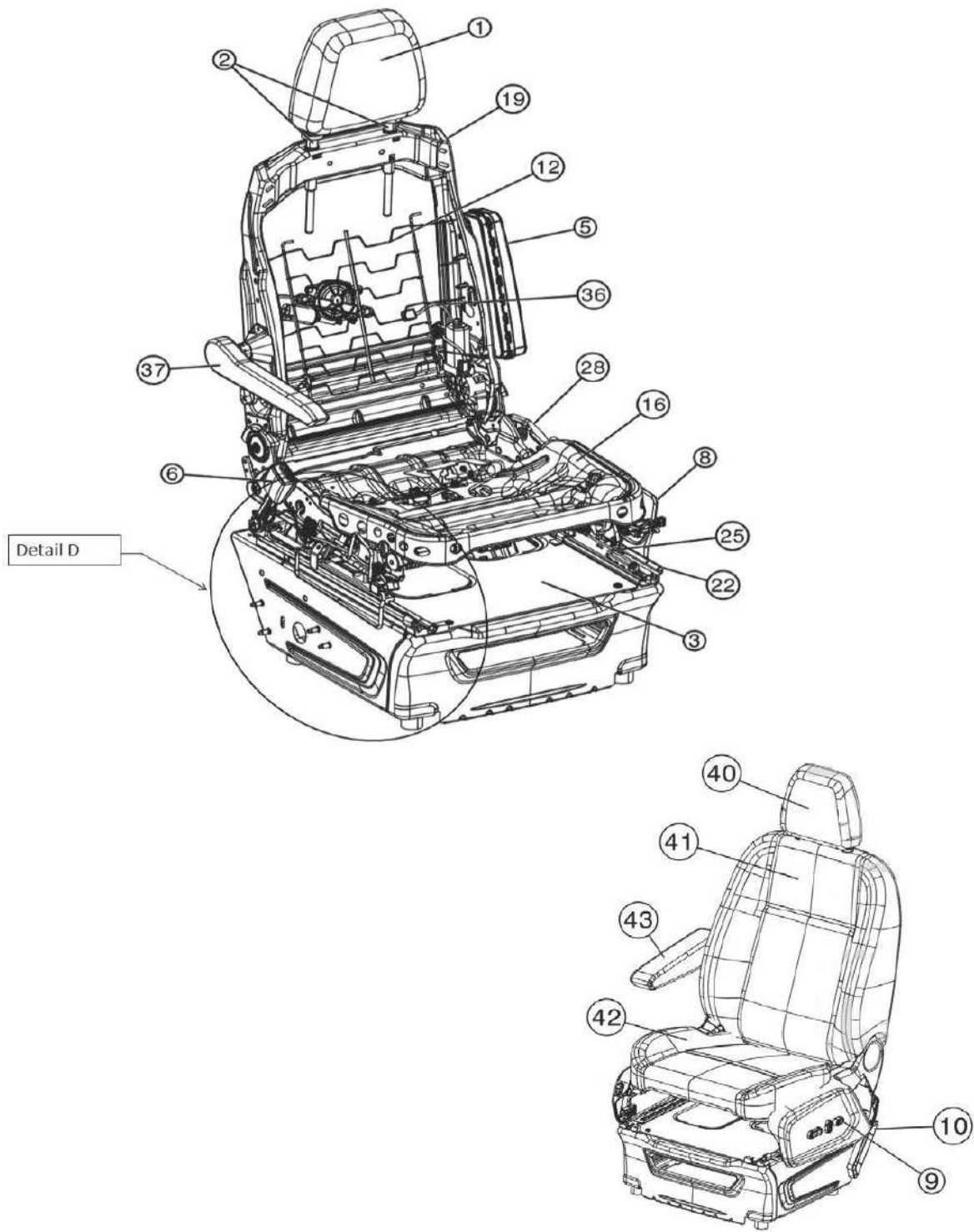
TiVe

FRONT SEAT 4 WAY MANUAL (B)



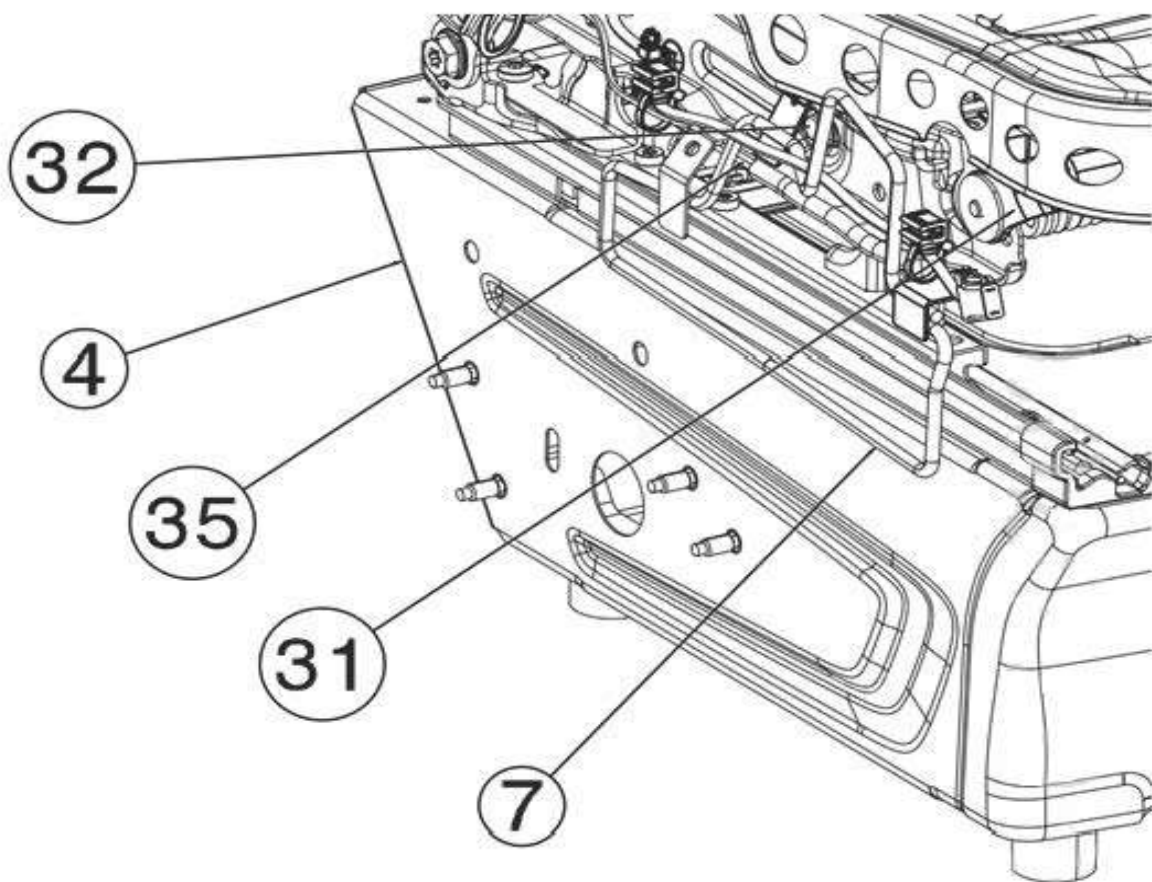
Detail C

Titre
FRONT SEAT 4 WAY MANUAL (B), DETAIL VIEW C



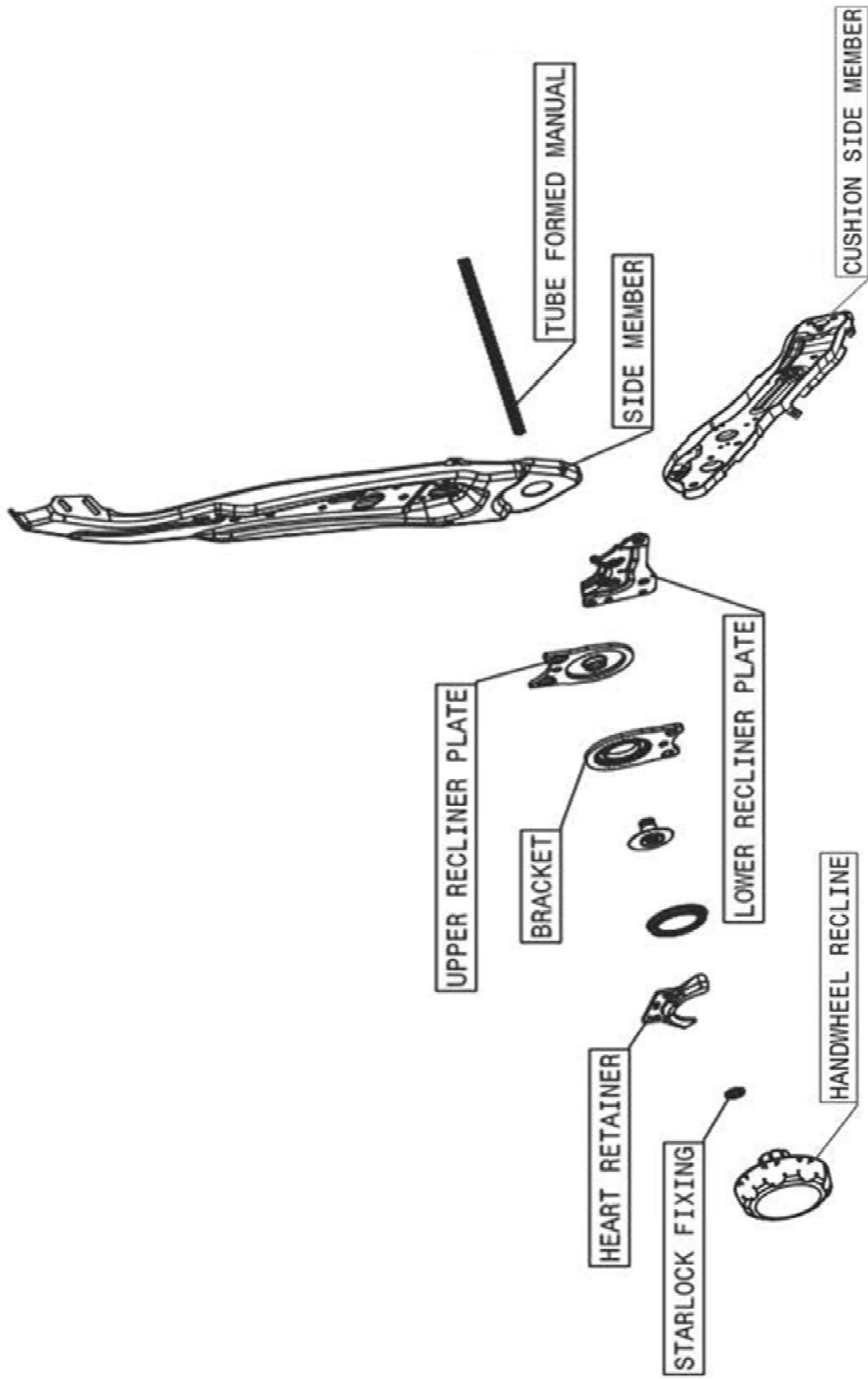
Detail D

Title
FRONT SEAT 10 WAY POWER (C)



Detail D

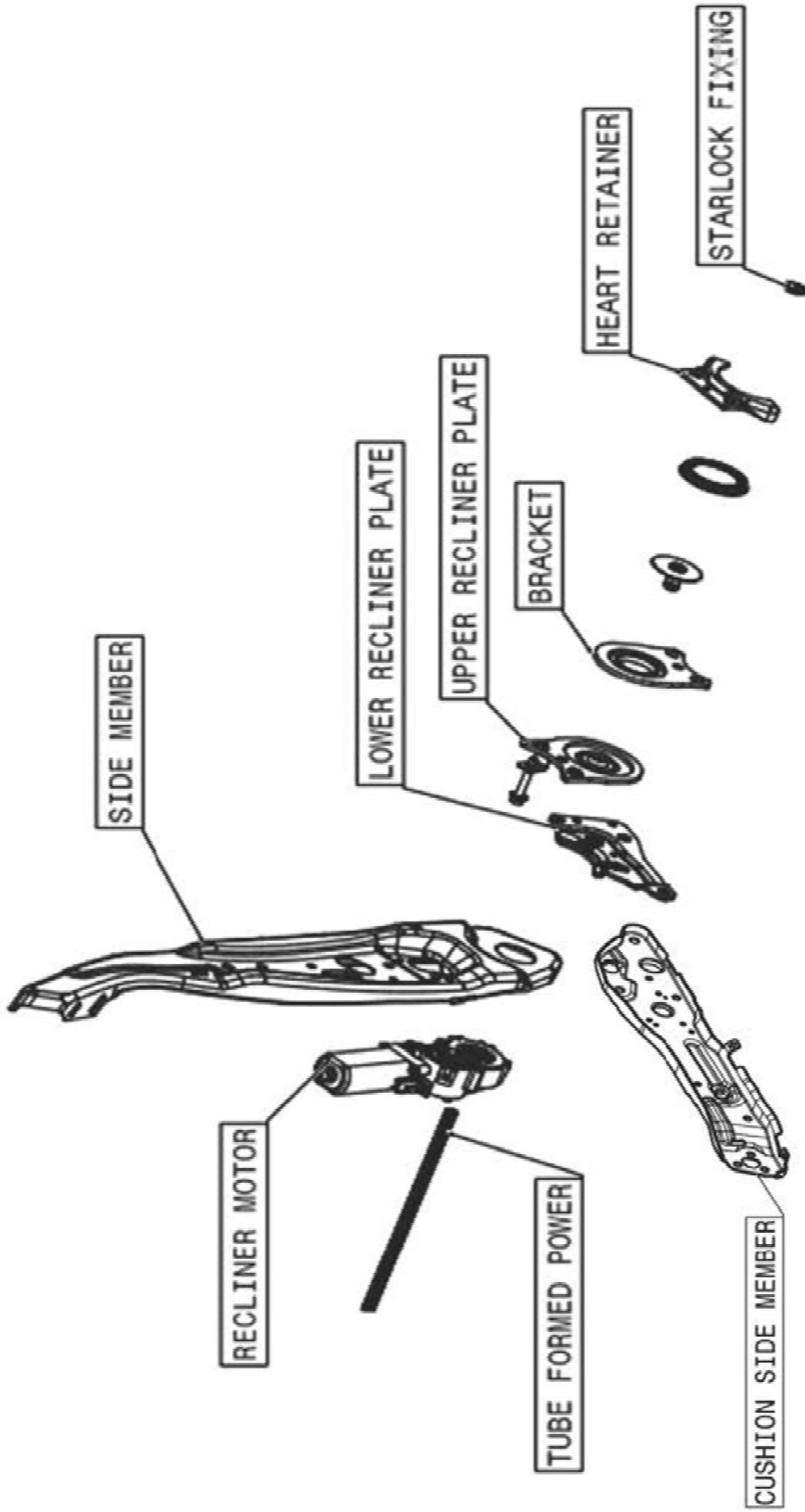
Title
FRONT SEAT 10 WAY POWER (C), DETAIL VIEW D



7/8e

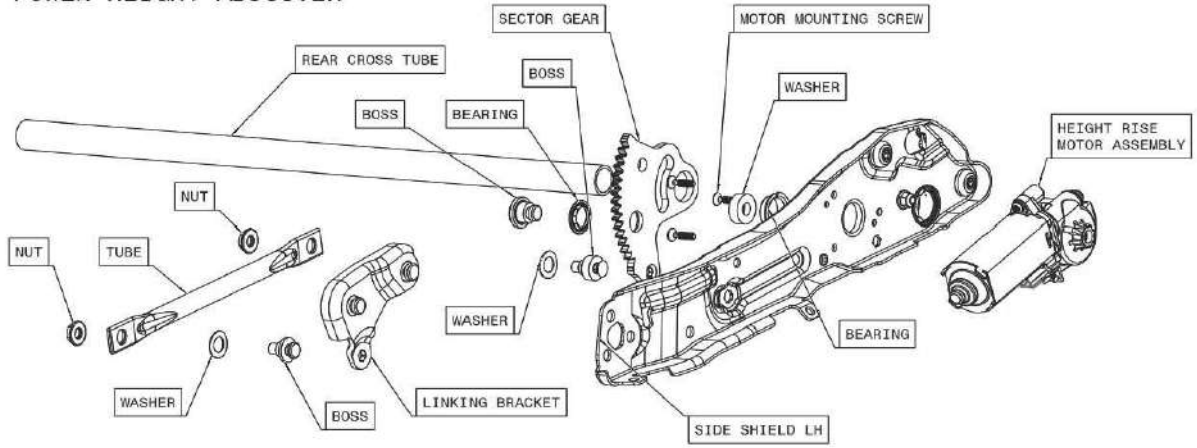
FRONT SEAT MANUAL RECLINER

Power Recliner

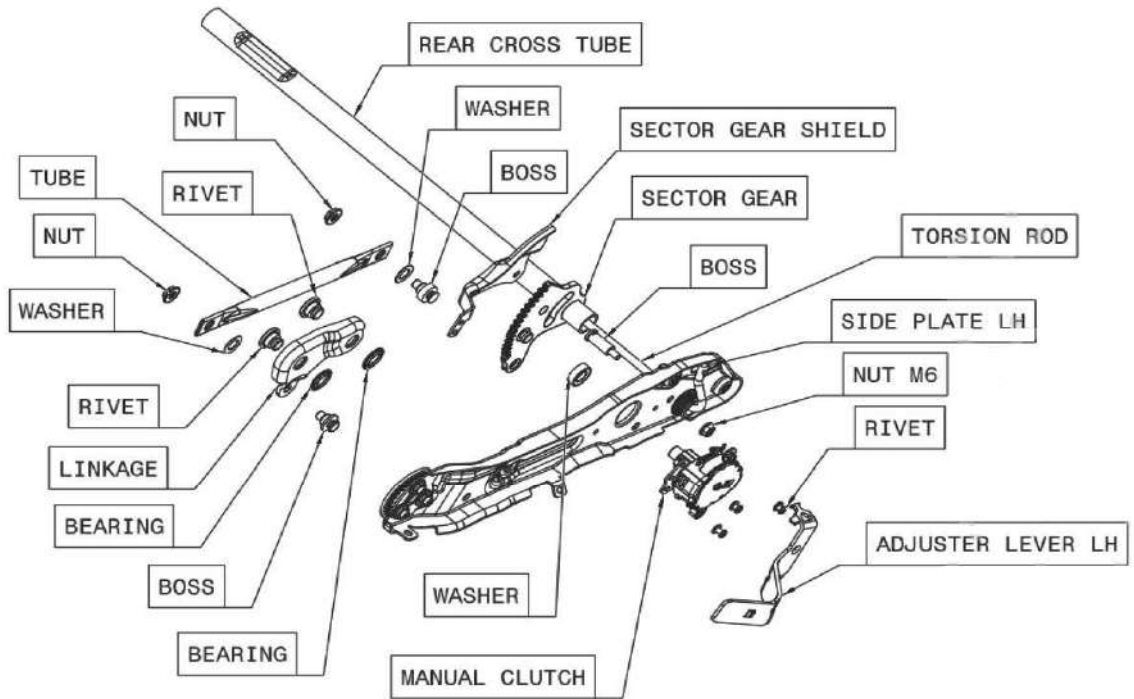


Title
FRONT SEAT POWER RECLINER

POWER HEIGHT ADJUSTER

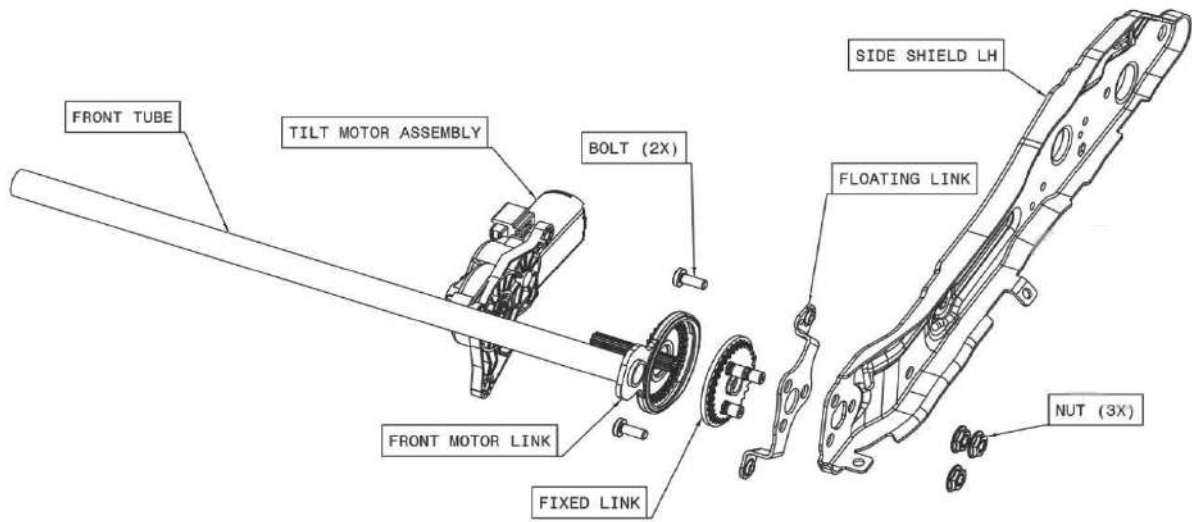


MANUAL HEIGHT ADJUSTER

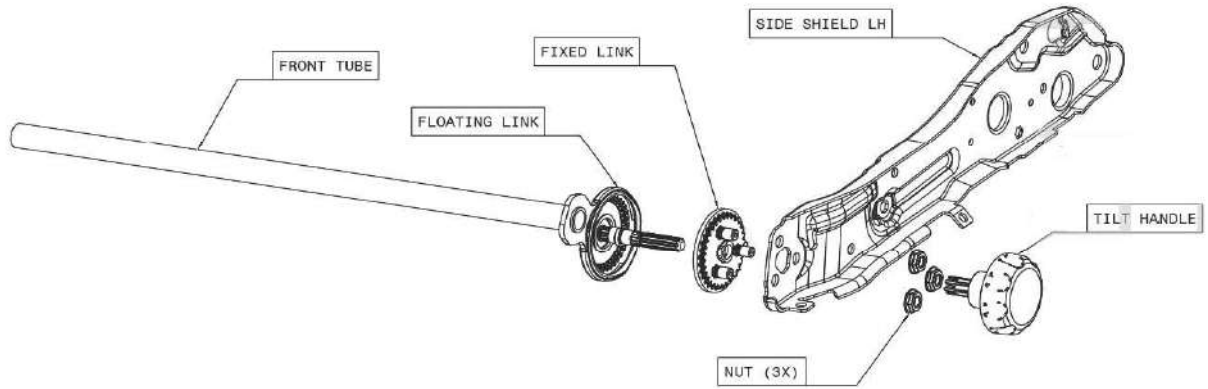


Title
FRONT SEAT HEIGHT ADJUSTER

POWER



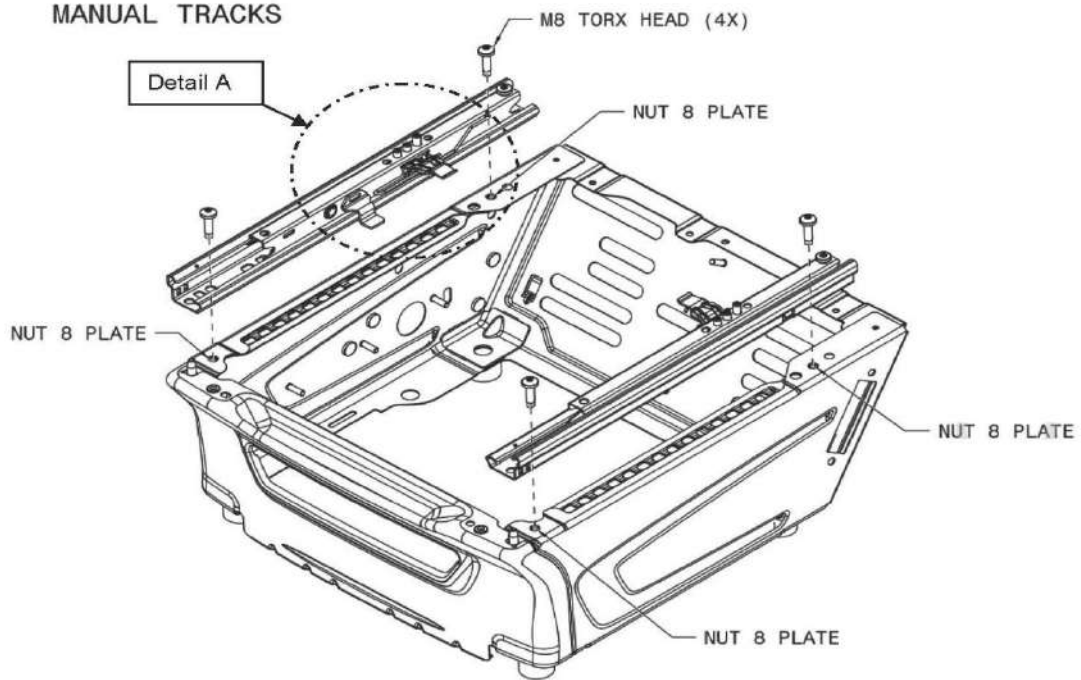
MANUAL



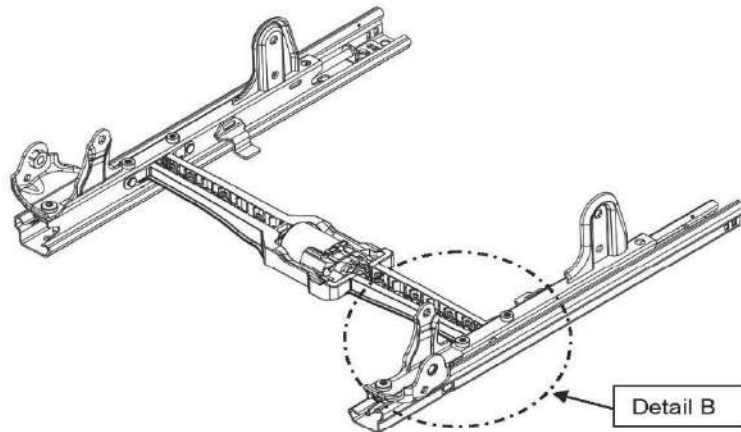
Title

FRONT SEAT TILT ADJUSTER

MANUAL TRACKS



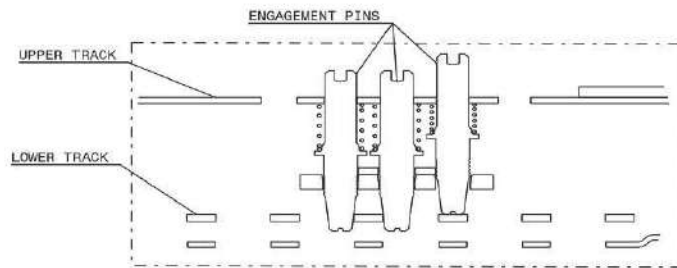
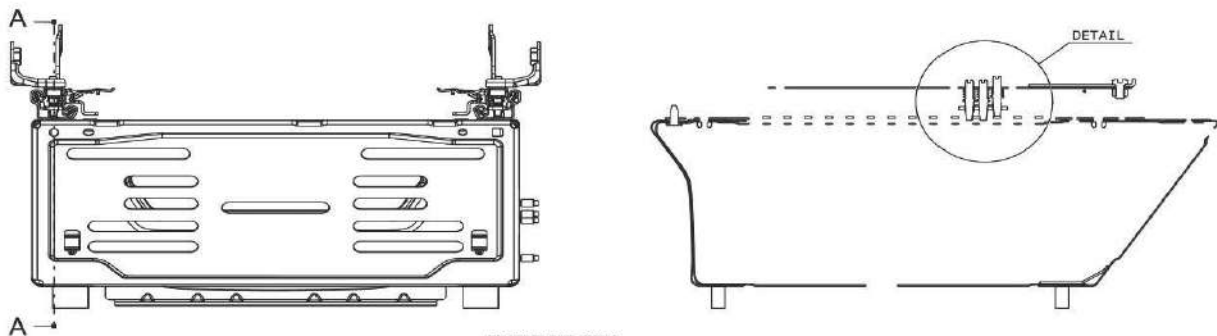
POWER TRACKS



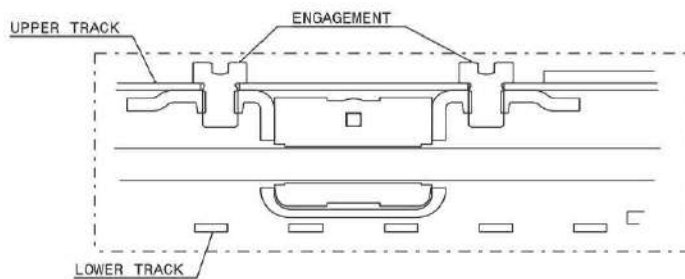
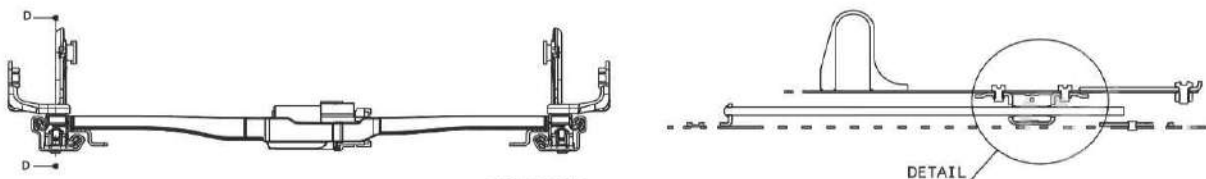
	X	Y	Z
FRT IB	2765.1	-211	1726.2
FRT OB	2765.1	-652.9	1726.2
RR IB	3154.7	-211	1710.1
RR OB	3154.7	-652.9	1710.1

Title

FRONT SEAT TRACKS +SEAT FIXING



DETAIL A
MANUAL SEAT UPPER-LOWER TRACK ENGAGEMENT

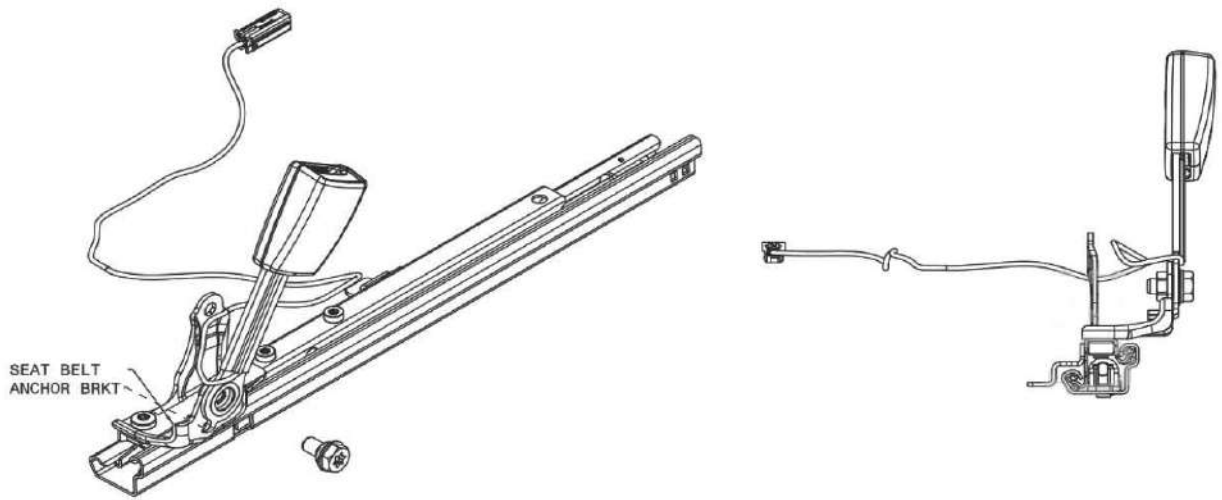


DETAIL B
POWER SEAT UPPER-LOWER TRACK ENGAGEMENT

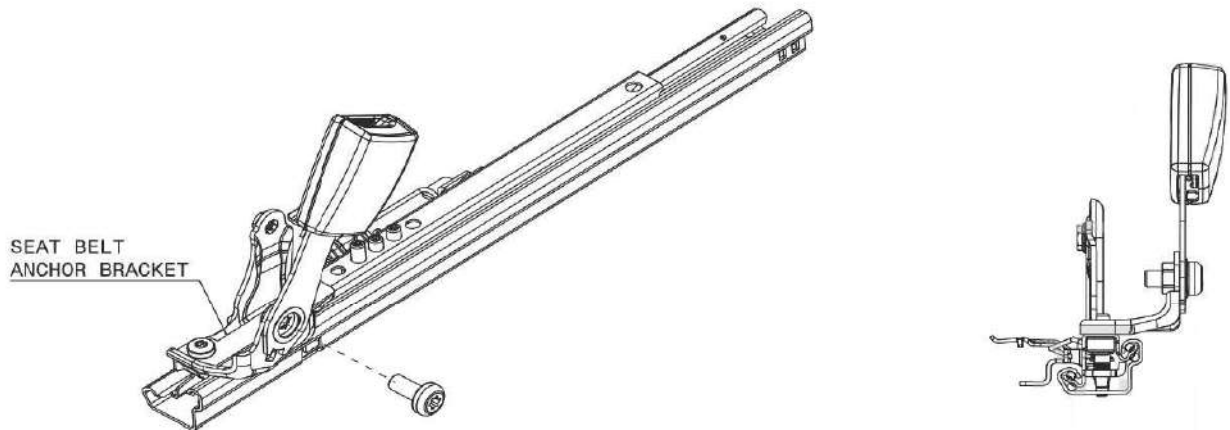
Title

FRONT SEAT TRACKS +SEAT FIXING (A & B)

4 way manual & 10 way power



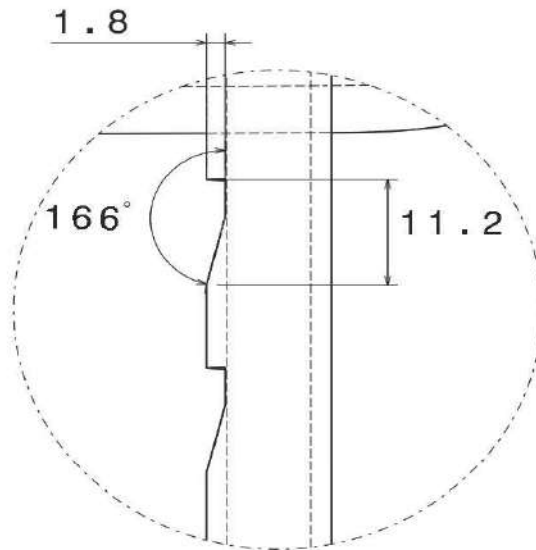
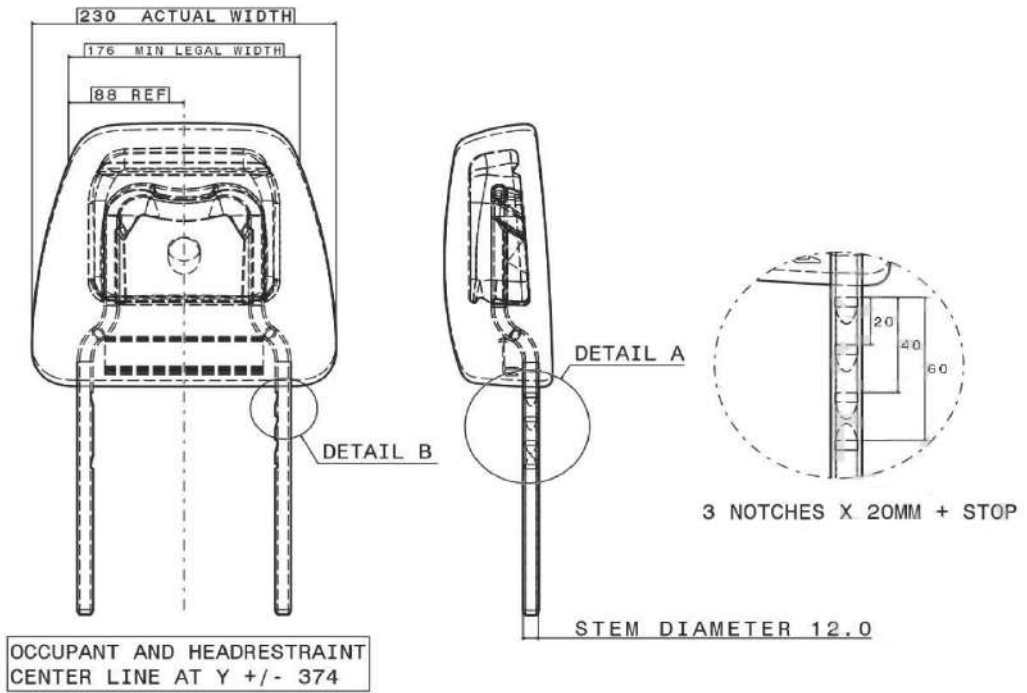
2 way manual



Title

FRONT SEAT BELT BUCKLE FIXING

HEAD RESTRAINT (2WAY)



NOTCH DETAILS

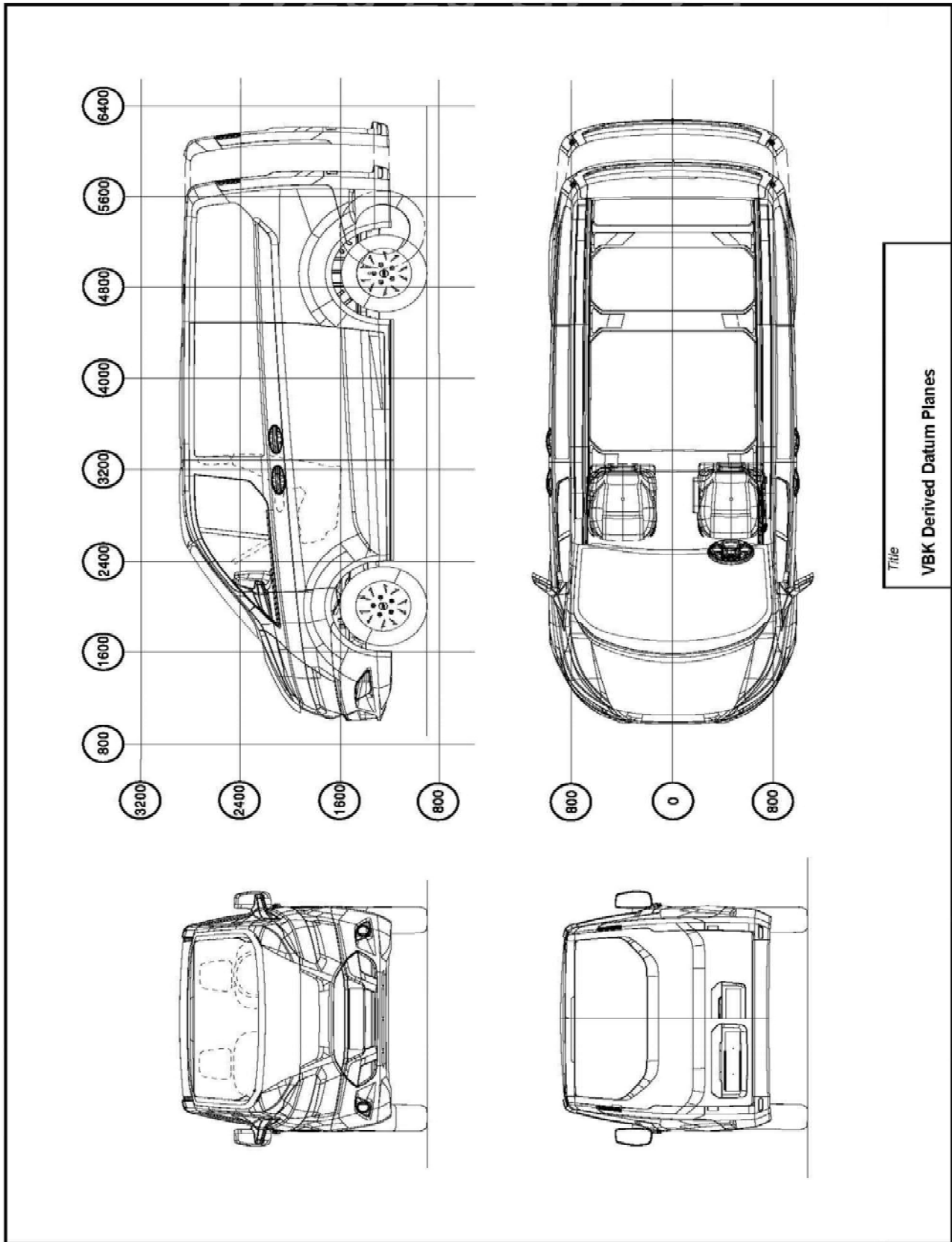
Title

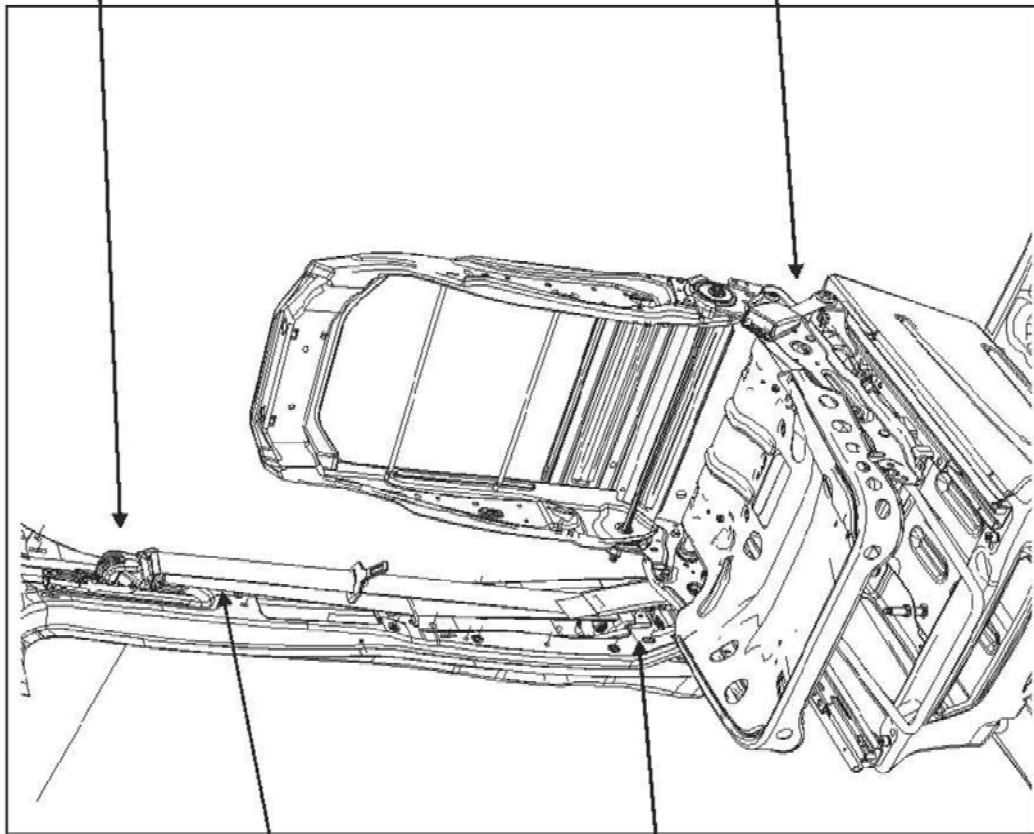
FRONT SEAT HEAD RESTRAINTS

Item No	Description	Material
1	HR ASM	Metal+PUR+Fabric
2	HR BEZEL	Plastic
3	BUCKLE ASM	Steel + Plastic
4	CUSHION PAN LH	Steel
5	CUSHION PAN RH	Steel
6	BACK FRAME	Steel
7	SAB BACK FRAME	Steel
8	LOW COST STRUCTURE	Steel
9	HR STO	Fabric
10	BACK STO	Fabric
11	CUSH STO LH	Fabric
12	CUSH STO RH	Fabric
13	SAB	Plastic+Fabric+Electric
14	EPP	EPP
15	RETRACTOR BUCKLE	Steel + Plastic
16	LOWER SUPPORT STRUCTURE	Steel
17	FIX SCREW	Steel
18	FLOOR BRACKET	Steel
19	FOLDOUT TABLE	Plastic+Fabric+Metal+PUR
20	M12 BOLT	Steel
21	M12 NUT	Steel

Title

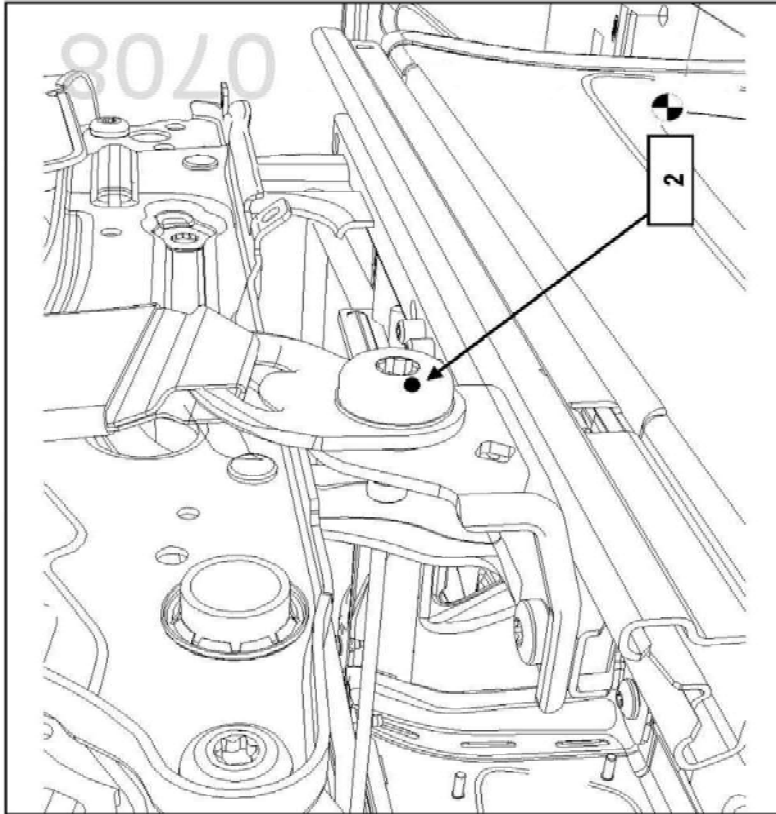
PART LIST 1ST ROW PASSENGER SEATS – DUAL CO



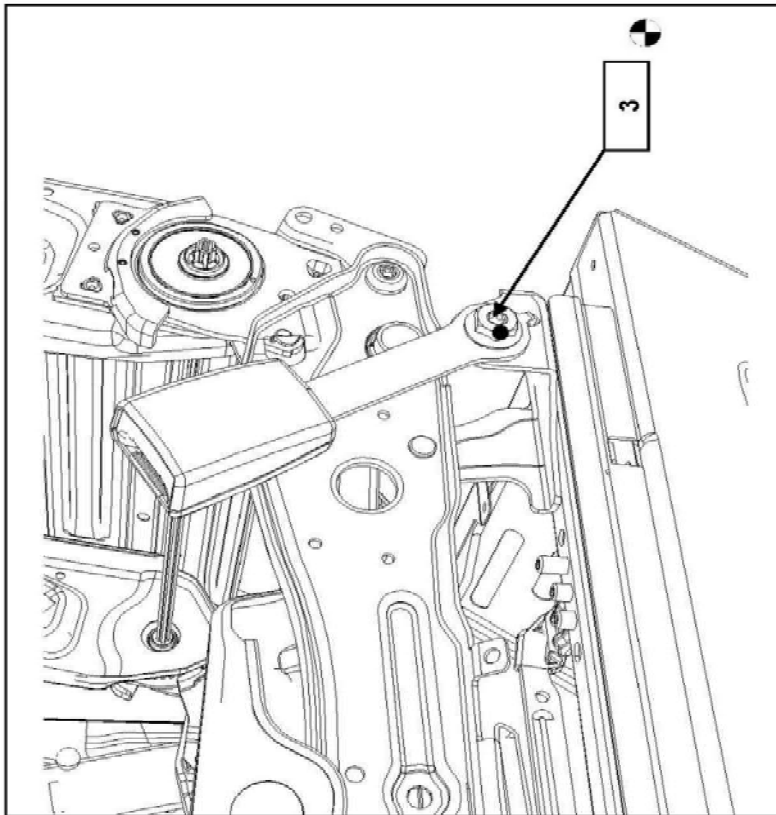


APPROVAL NO.
ZAer4mp E1 061371 AIRBAG
ZAer4mp E1 061372

Title
1st row eff. anchorage points
single seat (Overview)

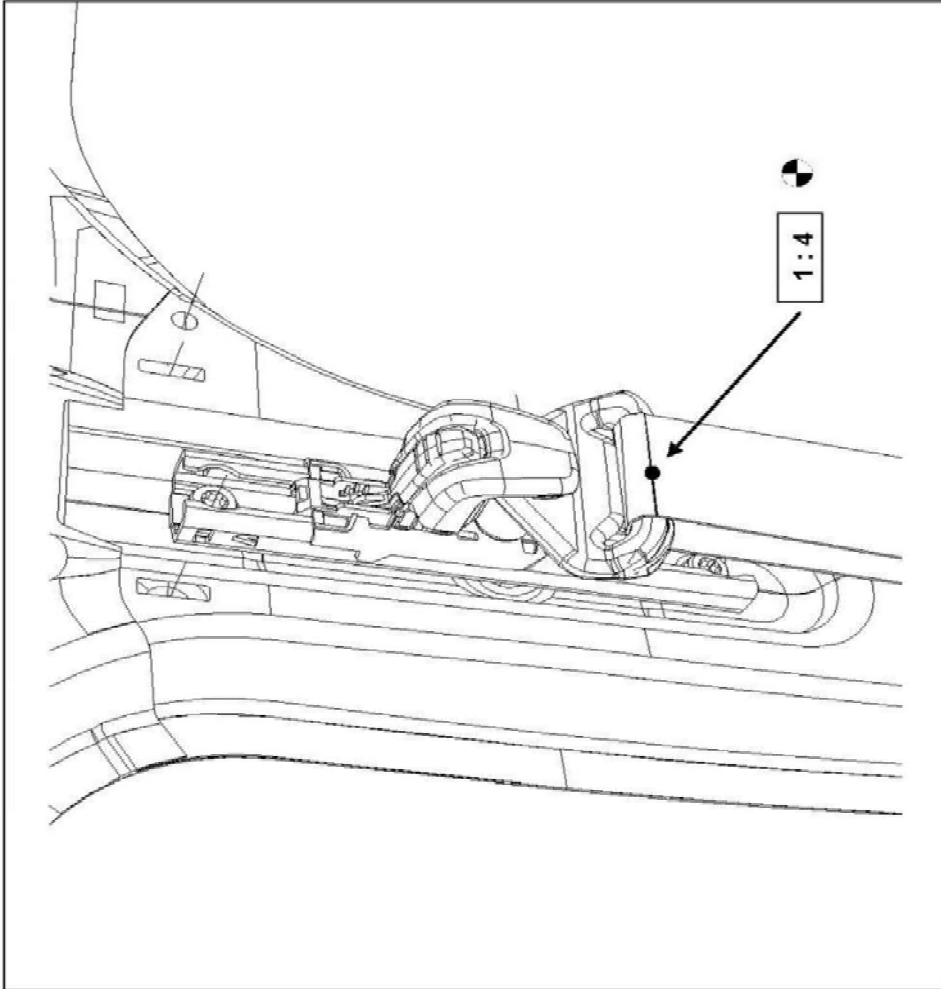


VIEW A



VIEW B

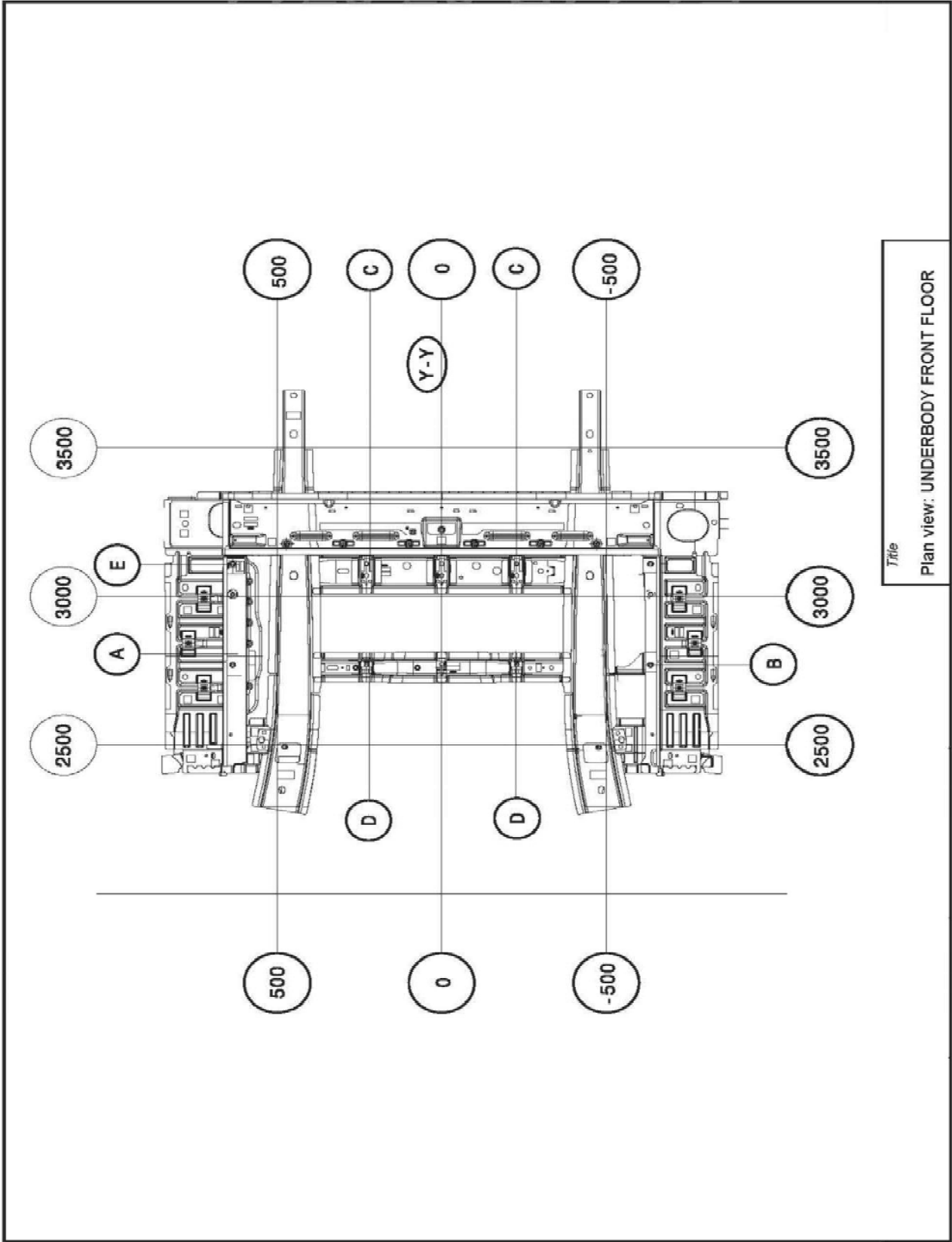
Title
1st row eff. anchorage points
single seat (View A,B)



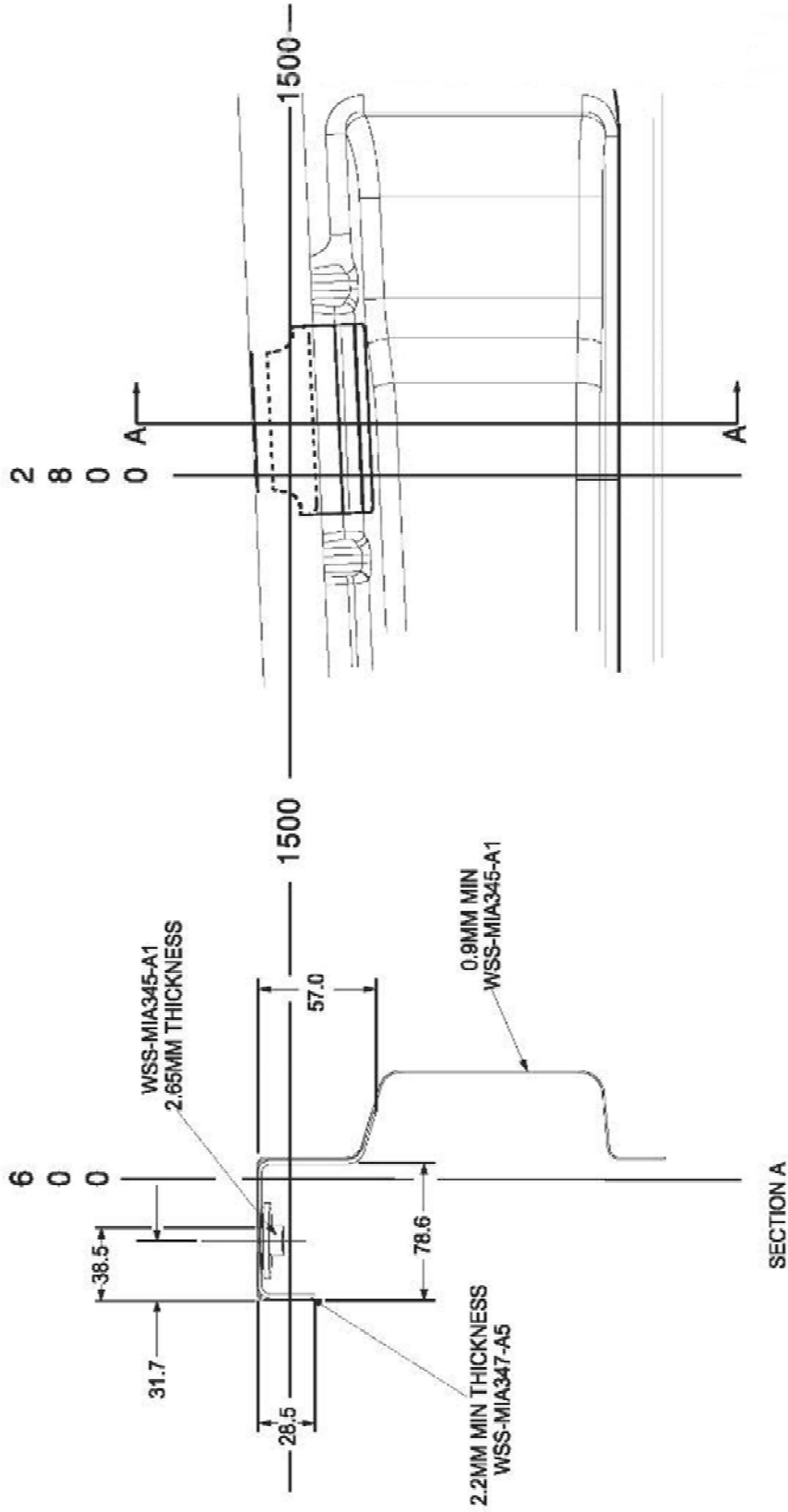
VIEW C

Title

**1st row eff. anchorage points
single seat (View C)**

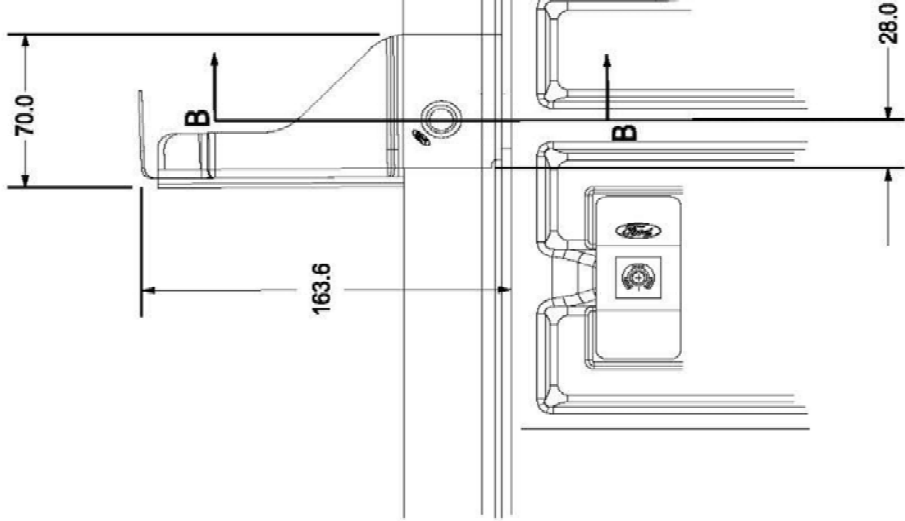


Title
 Plan view: UNDERBODY FRONT FLOOR



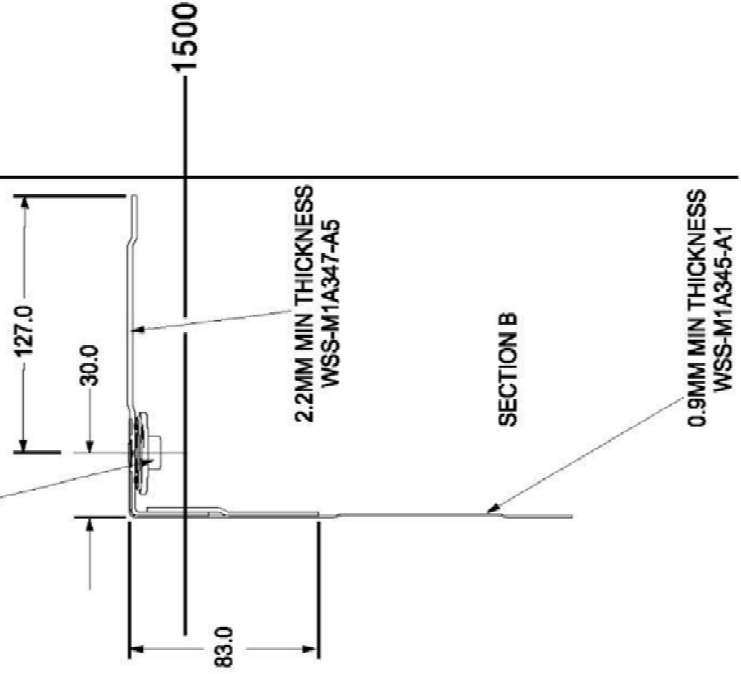
Title
 SEC A FRT STEP ANCHOR WELDS

3
0
0
0



-5
0
0

2.65MM MIN THICKNESS
WSS-M1A345-A1

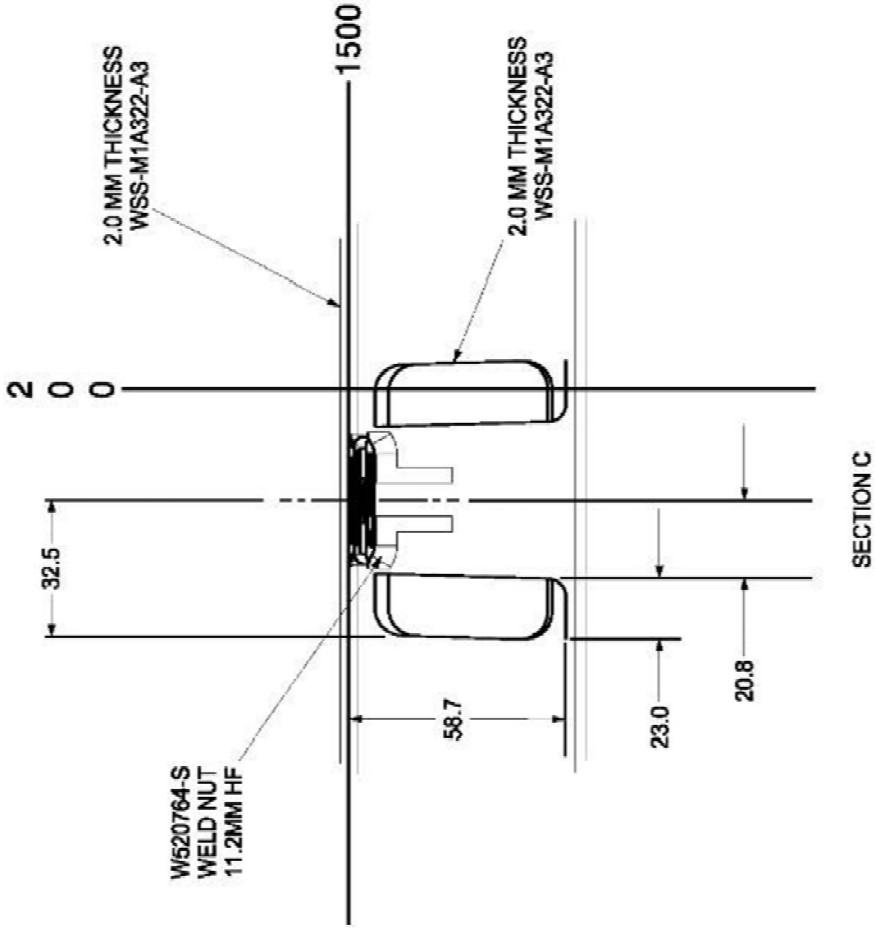
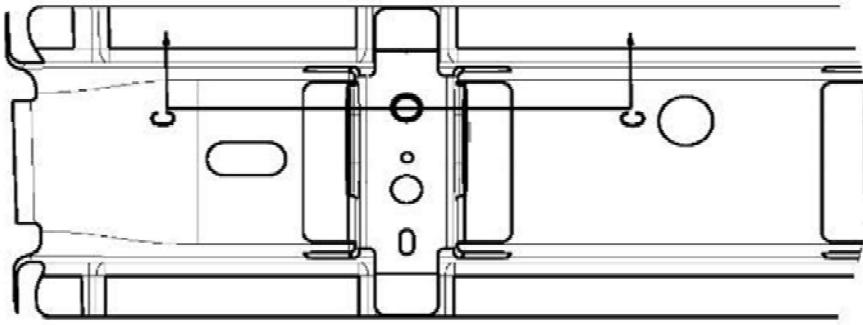


2.2MM MIN THICKNESS
WSS-M1A347-A5

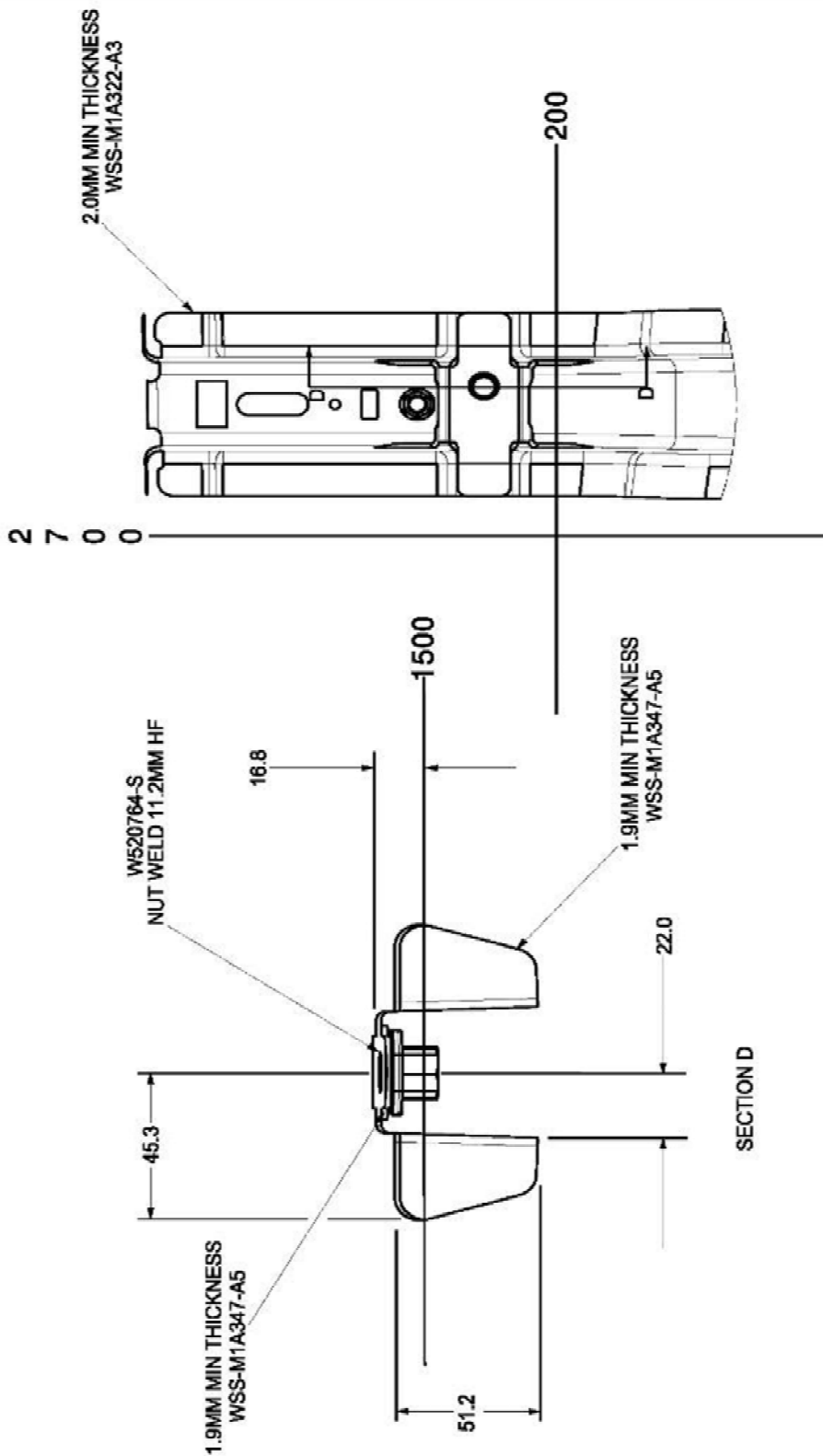
0.9MM MIN THICKNESS
WSS-M1A345-A1

Title
SEC B RFT STEP ANCHOR WELDS

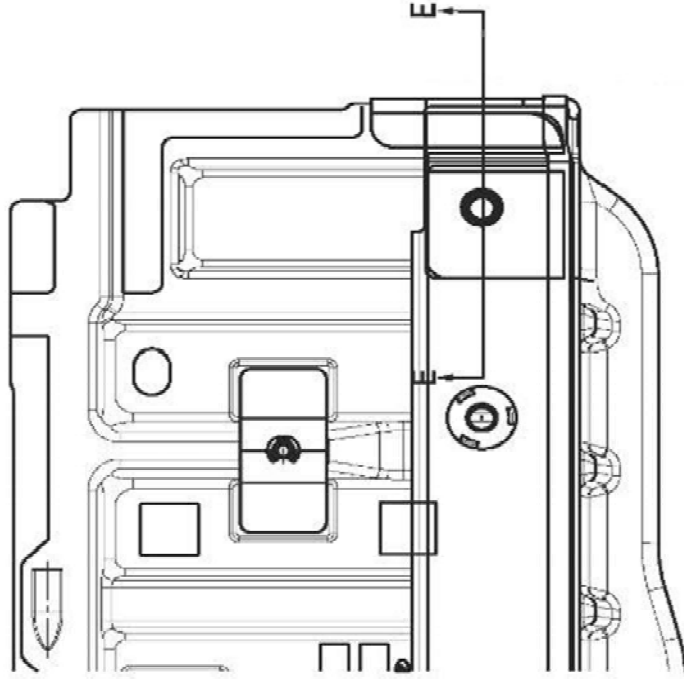
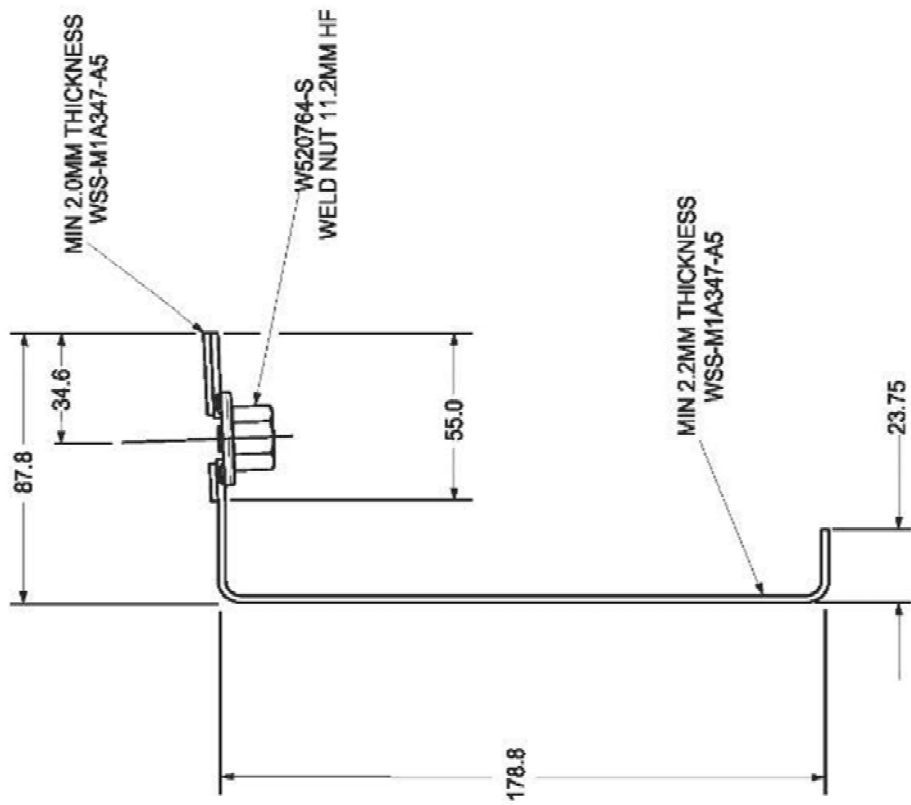
3 2 0 0



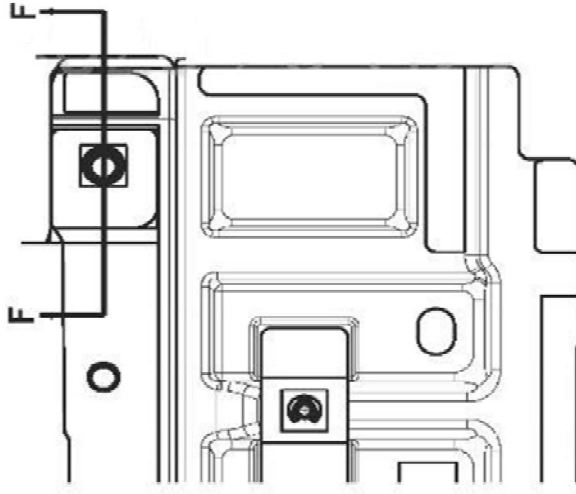
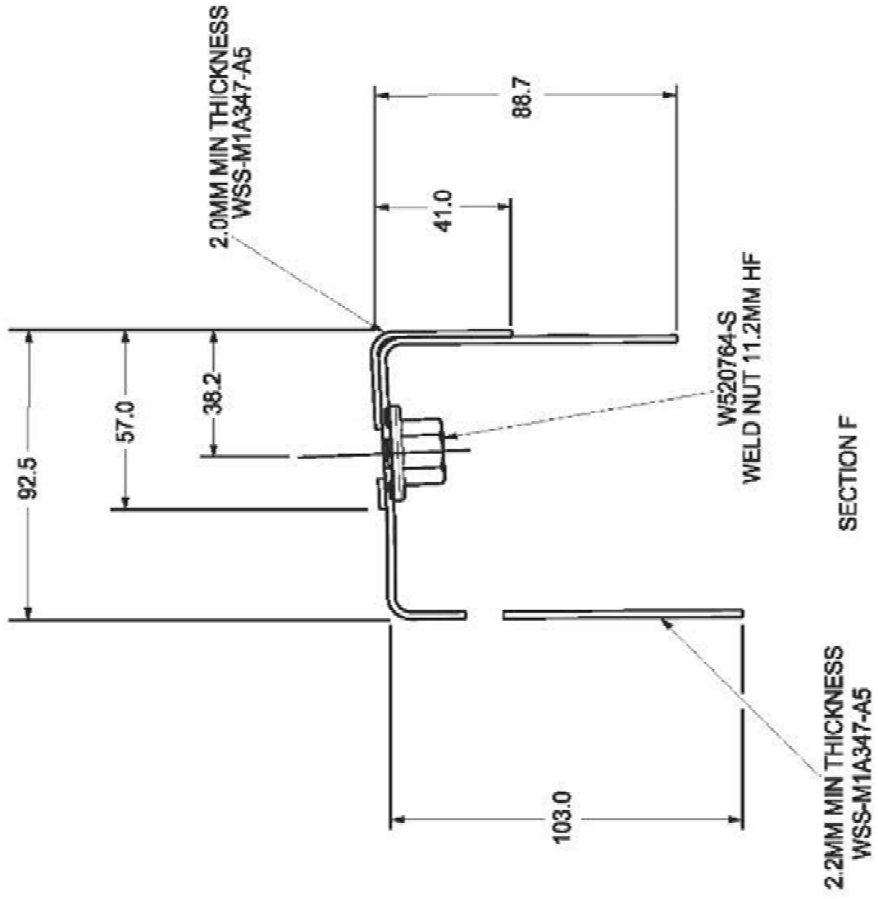
Title
SEC C FRT STEP ANCHOR WELDS



Tile
SEC D FRONT STEP ANCHOR
WELDS



Tile
 SEC E FRT STEP ANCHOR WELDS



Title
 SEC F FRT STEP ANCHOR WELDS

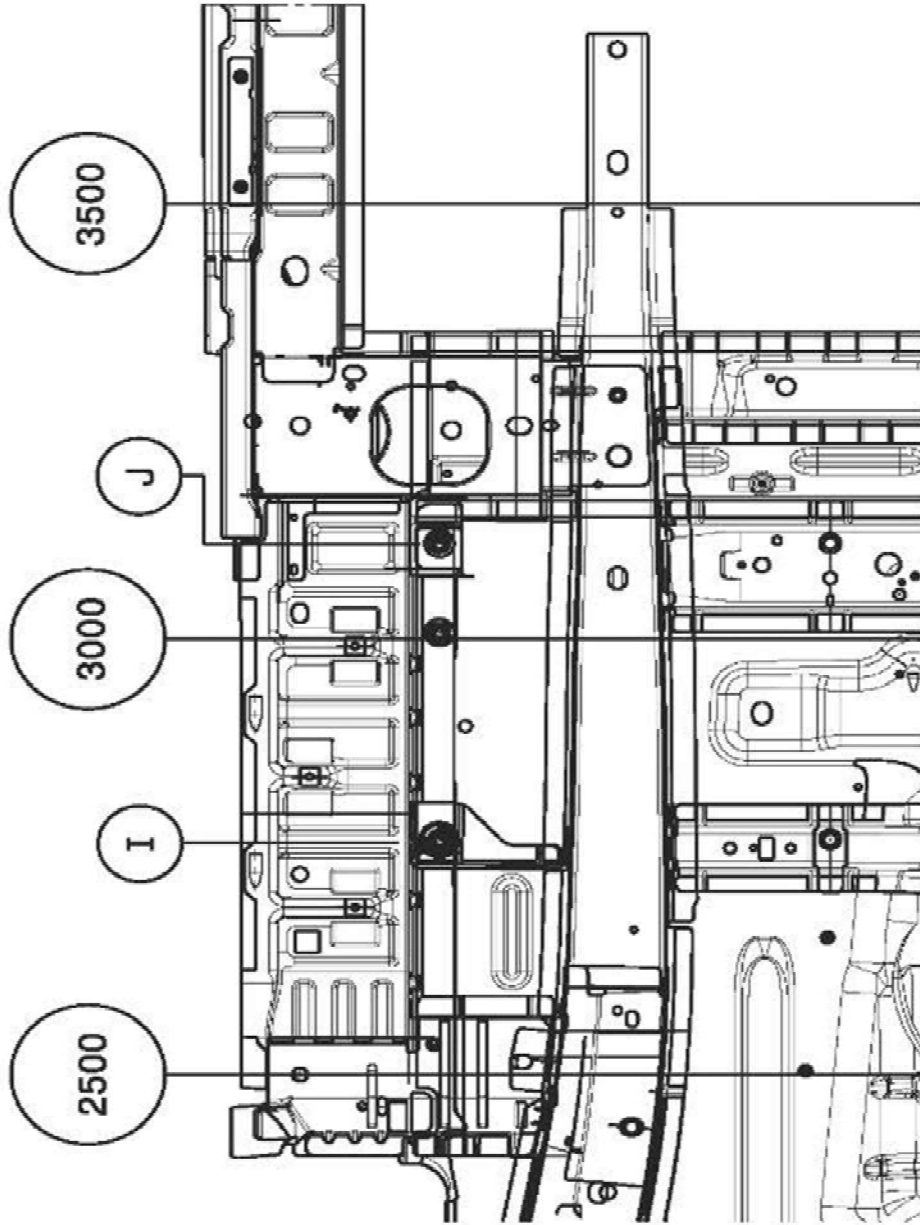
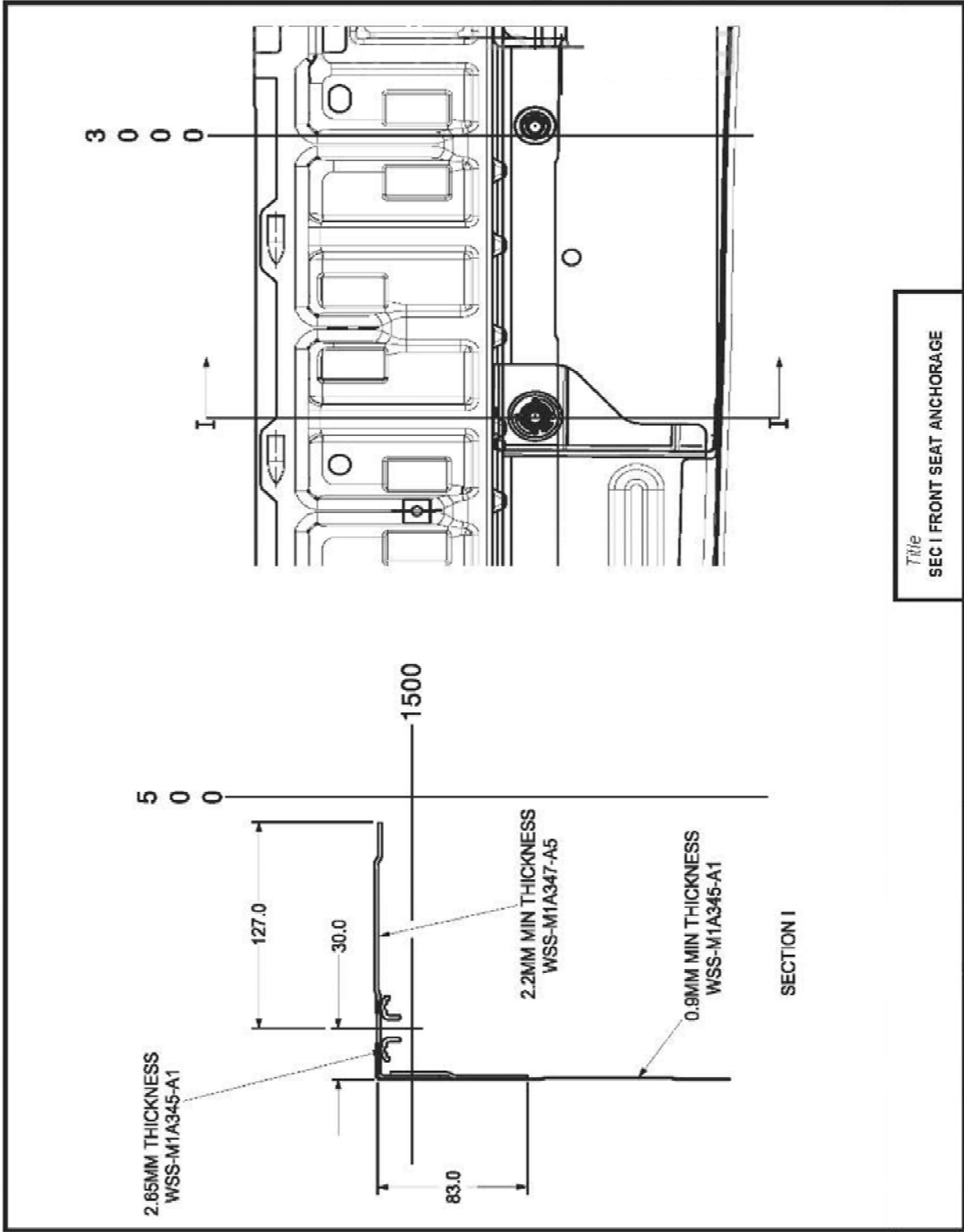
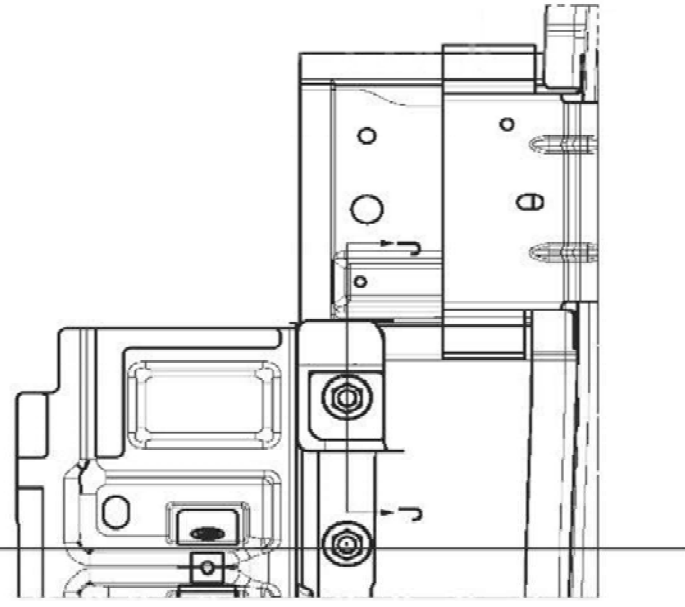
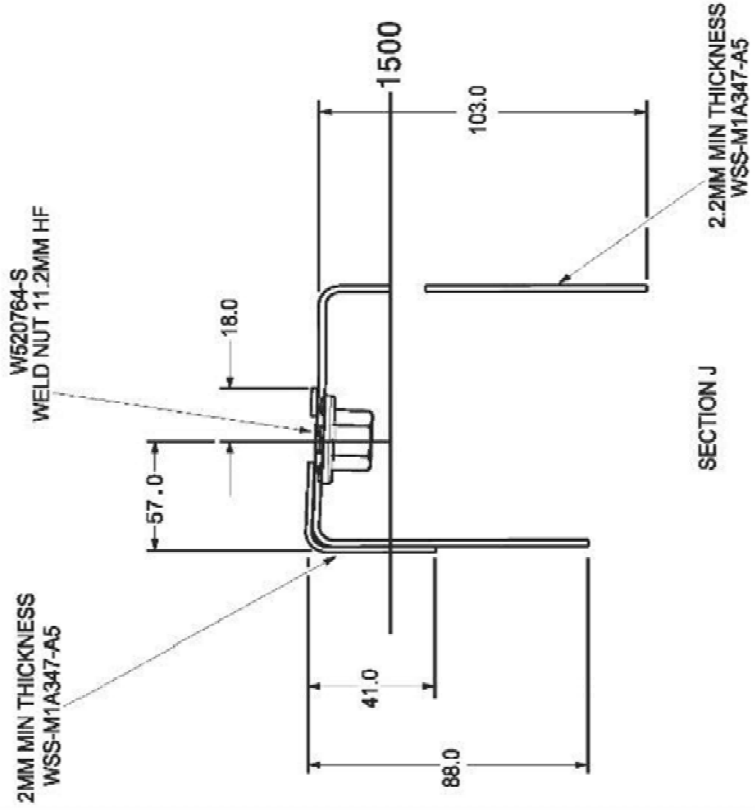


Table
UNDERBODY STRUCTURE ASY
MRK

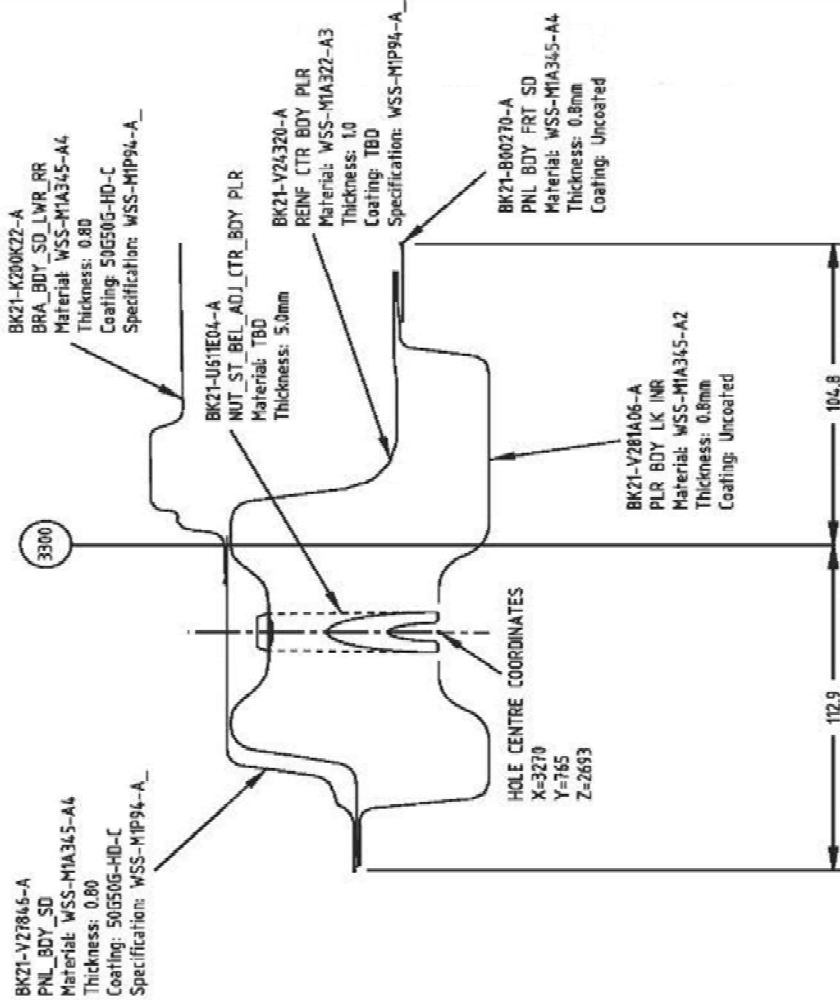
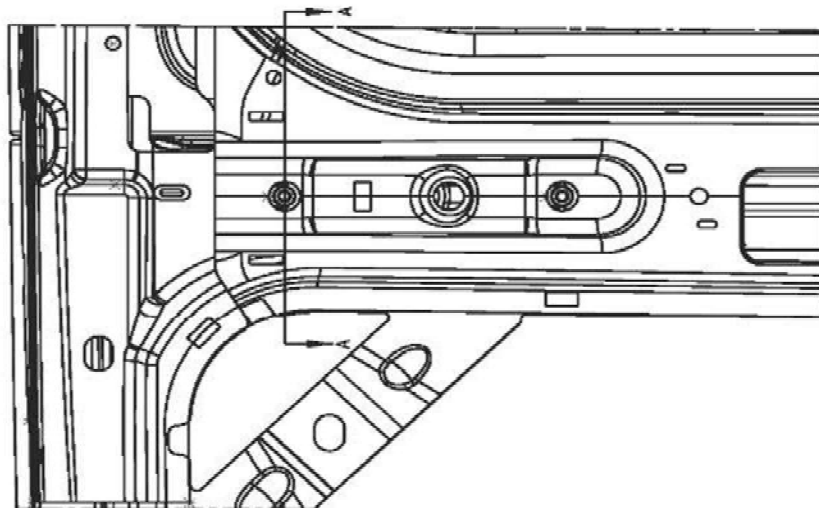


Title
SEC I FRONT SEAT ANCHORAGE

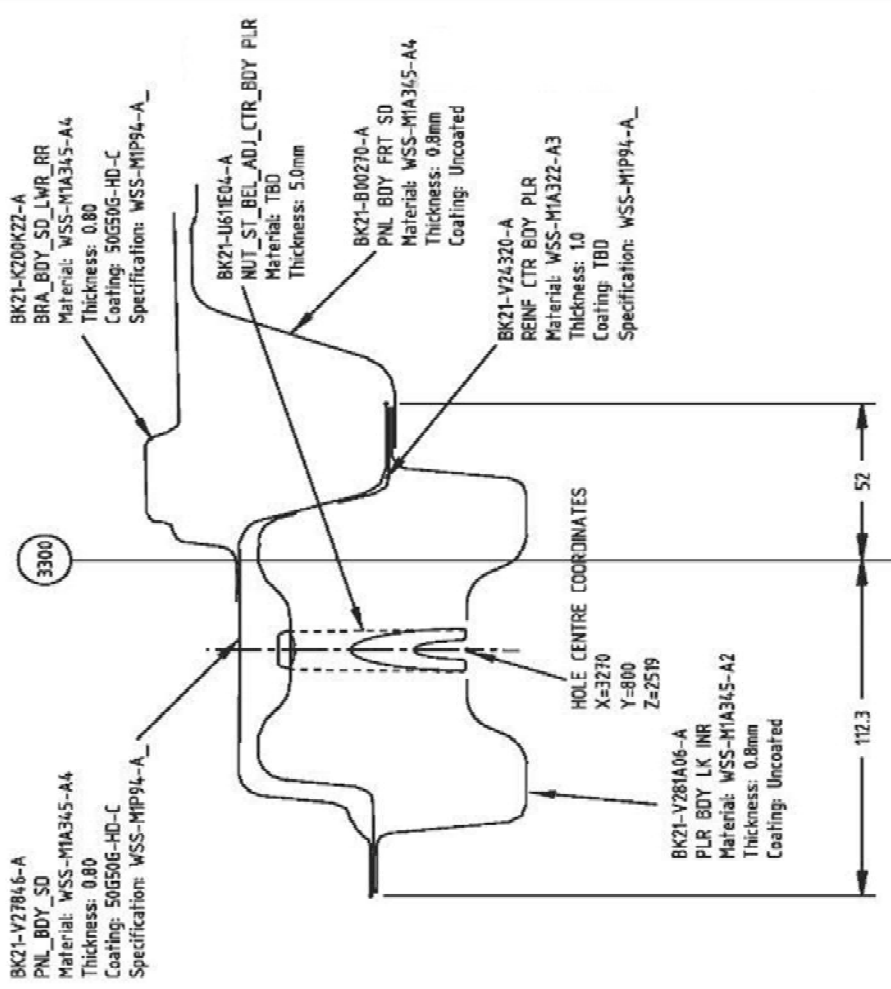
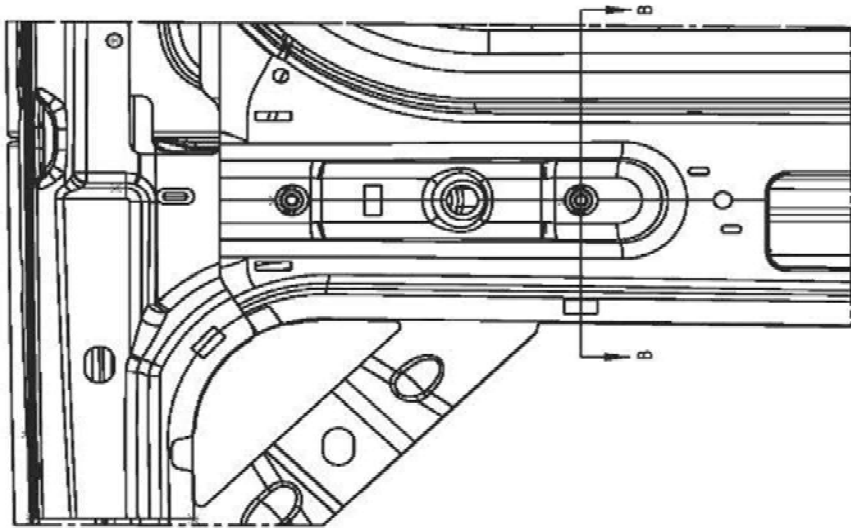
3
0
0
0



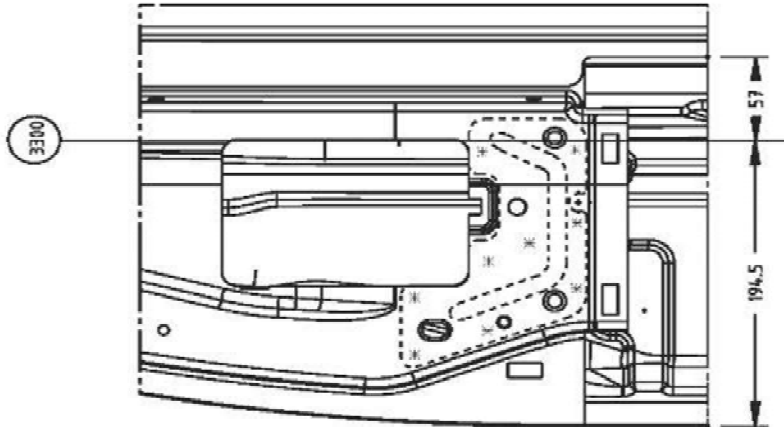
Title
SEC J FRONT SEAT ANCHOR
WELDS



Title
 D RING UPR ATTCHMNT B PLR VBIK



Title
D RING LWR ATTACHMENT B PLR VBK



BK21-K200K22-A
BRA_BDY_SD_LWR_RR
Material: WSS-MIA345-A4
Thickness: 0.80
Coating: 50G50G-HD-C
Specification: WSS-MIP94-A_

BK21-Y24320-A
REINF LTR BDY PLR
Material: WSS-MIA322-A3
Thickness: 10
Coating: TBD
Specification: WSS-MIP94-A_

BK21-B00270-A
PNL_BDY_FRT_SD
Material: WSS-MIA345-A4
Thickness: 0.8mm
Coating: Uncoated

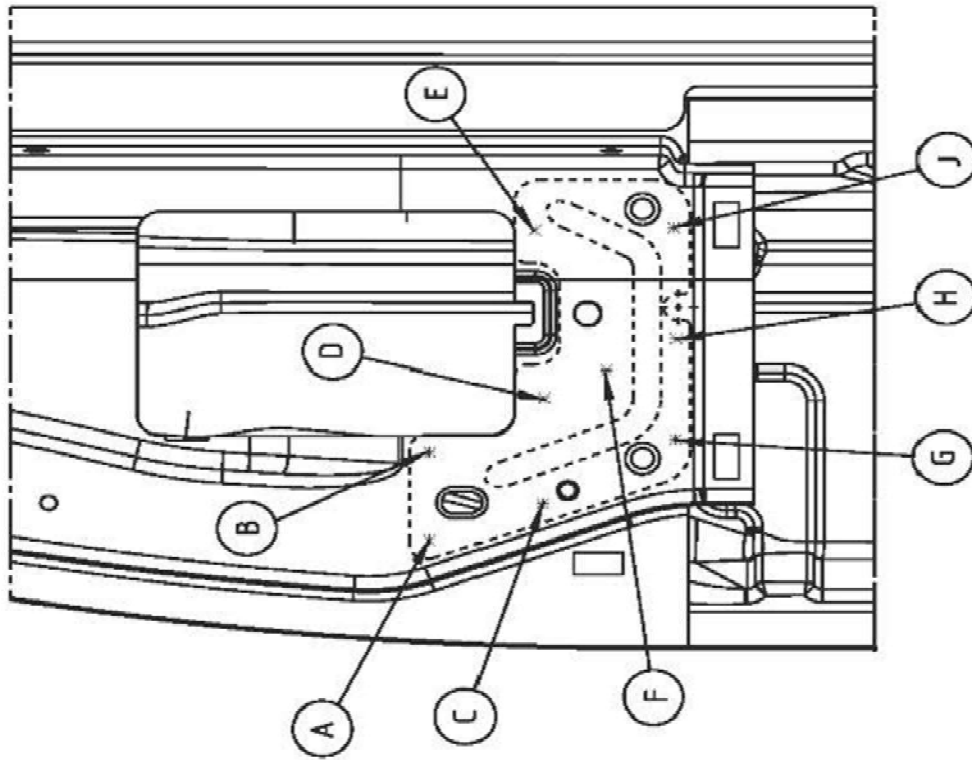
BK21-Y281A06-A
PLR_BDY_LK_INR
Material: WSS-MIA345-A2
Thickness: 0.8mm
Coating: Uncoated

BK21-Y28180-A
REINF_BDY_LK_PLR_LWR
Material: WSS-MIA345-A1
Thickness: 2.4mm
Coating: Uncoated

HOLE CENTRE COORDINATES
X=3256
Y=831
Z=1169

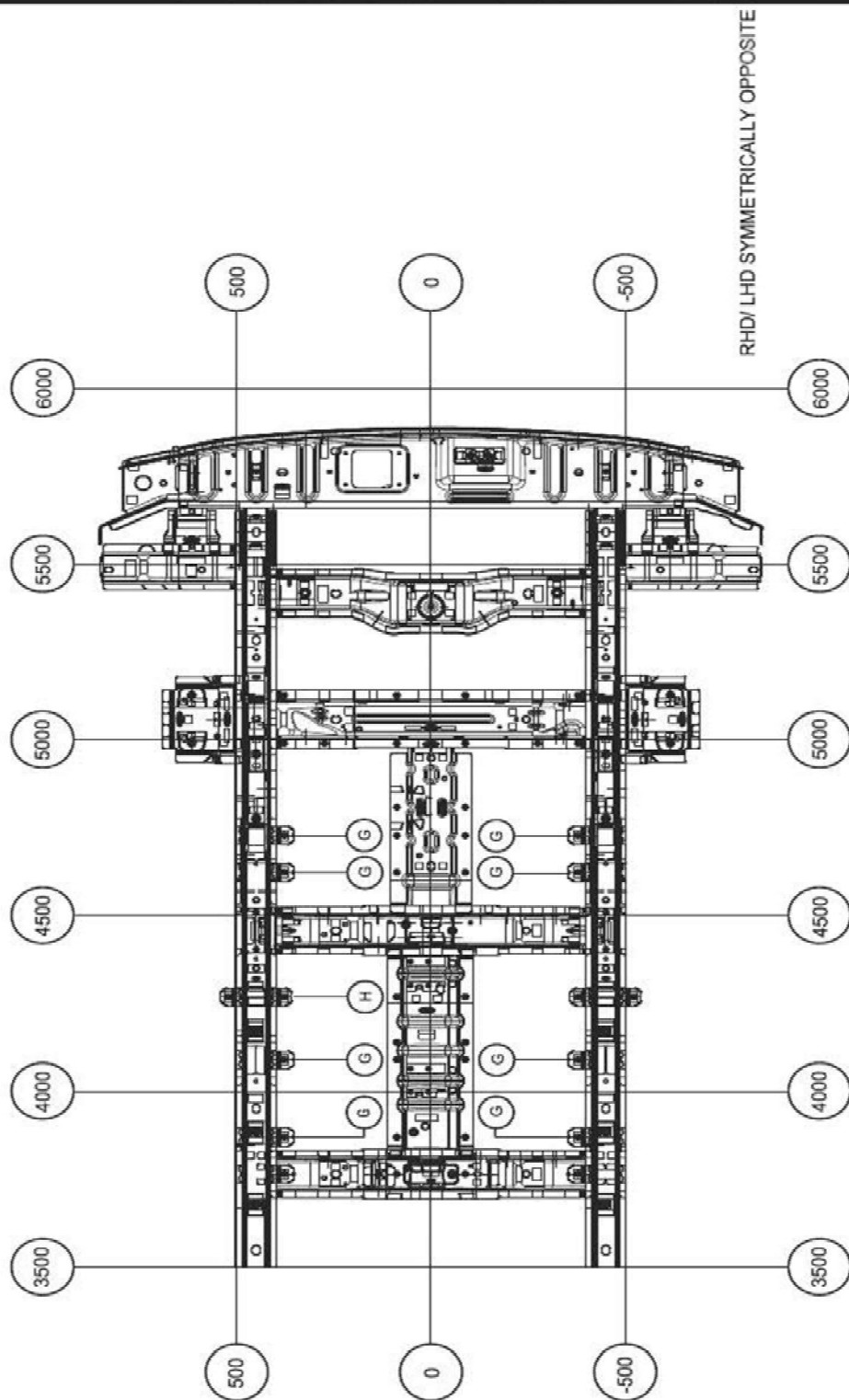
SECTION A-A

TR/8
RETRACTOR ANCHOR B PLR VBK

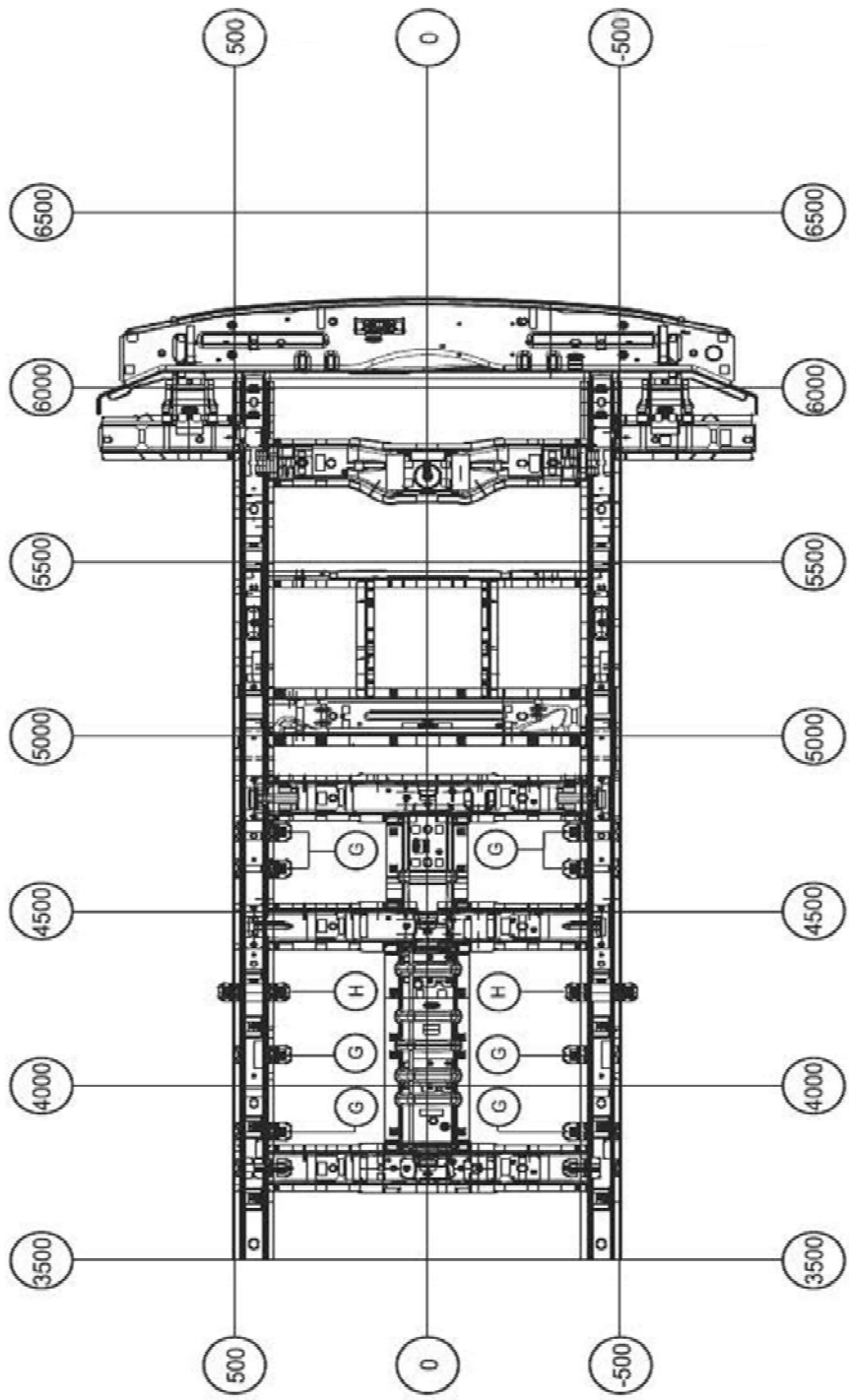


CO-ORDINATES			
	X	Y	Z
A	3154.11	828.5	1832.77
B	3193.44	828.5	1832.77
C	3170.62	828.5	1787.65
D	3217.87	828.5	1786.97
E	3292.46	828.5	1790.67
F	3230.21	828.5	1761.82
G	3199.26	828.5	1733.75
H	3243.93	828.5	1733.39
J	3293.74	828.5	1734.45

Title
 RETRACTOR ANCHOR WELDS B
 PLR.VBK



Title
UNDERBODY STRUCTURE ASY
 SWB



Title
 UNDERBODY STRUCTURE ASY
 LWB

ALLEGATO -C-
ANNEX -C-

(PIASTRA GIREVOLE E INVERSIONE FRENO A MANO CTA)
(SWIVEL PLATE AND HANDBRAKE REVERSAL CTA)

SCHEDA INFORMATIVA DI RIFERIMENTO
REFERENCE INFORMATION DOCUMENT

Numero/del
Number/dated

01gTCThS

18.07.2022

DENOMINAZIONE COMMERCIALE COSTRUTTORE
TRADE NAME OF MANUFACTURER
CTA

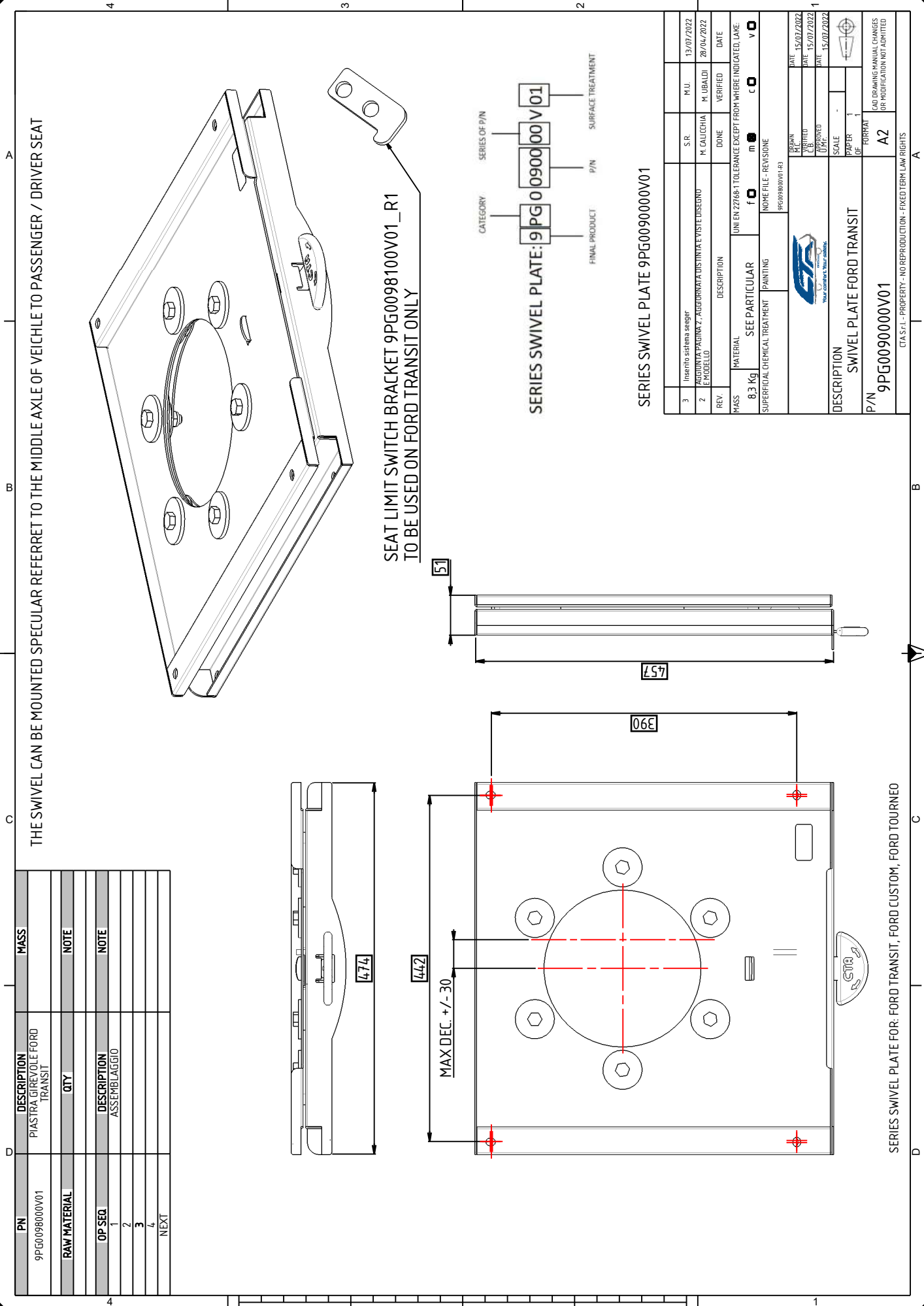
TIPOLOGIA DEL VEICOLO
VEHICLE TYPE
VEICOLO A MOTORE
MOTOR VEHICLE

EVENTUALE FUNZIONE SPECIFICA
EVENTUAL SPECIFIC FUNCTION
AUTOVEICOLO
MOTOR VEHICLE

DENOMINAZIONE DEL TIPO
TYPE
CTAFTC FORD-N

INDICE DEL CONTENUTO ALLEGATO -C-
INDEX OF CONTENT ANNEX -C-

ARGOMENTO SUBJECT	Riferimento Reference	Pagina Page
Piastra girevole e inversione freno a mano CTA Swivel plate and handbrake reversal CTA	CTA	----



THE SWIVEL CAN BE MOUNTED SPECULAR REFERRET TO THE MIDDLE AXLE OF VEICHLA TO PASSENGER / DRIVER SEAT

SEAT LIMIT SWITCH BRACKET 9PG0098100V01_R1
TO BE USED ON FORD TRANSIT ONLY

SERIES SWIVEL PLATE: 9PG009000V01

CATEGORY: SERIES OF P/N

FINAL PRODUCT: P/N SURFACE TREATMENT

SERIES SWIVEL PLATE 9PG009000V01

3	Inserito sistema selegger	S.R.	M.U.	13/07/2022	
2	AGGIUNTA PIASTRINA A DISTINTIVE VISTE DISCORSO	M. CALUCCIA	M. UBALDI	28/04/2022	
REV	DESCRIPTION	DONE	VERIFIED	DATE	
MASS	MATERIAL	UNI EN 22766-1 TOLERANCE EXCEPT FROM WHERE INDICATED. LAKE.	m	c	v
8,3 Kg	SEE PARTICULAR	f			
SUPERFICIAL CHEMICAL TREATMENT		PAINTING		NOME FILE - REVISIONE	
				9PG009000V01-R3	
DRAWN		DATE		15/01/2022	
CHECKED		DATE		15/01/2022	
APPROVED		DATE		15/01/2022	
SCALE		PAPER		FORMAT	
1		1		A2	
DESCRIPTION		SWIVEL PLATE FORD TRANSIT			
P/N		9PG009000V01			
C.A.S.r.l. - PROPERTY - NO REPRODUCTION - FIXED TERM LAW RIGHTS					

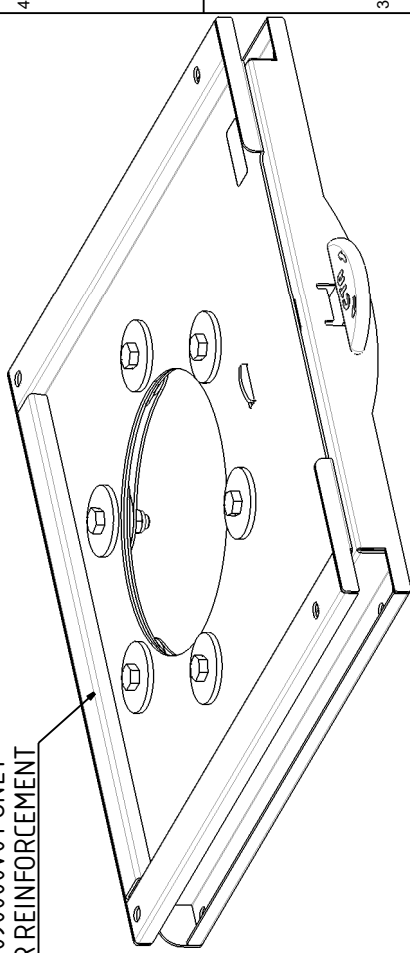
PN	DESCRIPTION	MASS
9PG0098000V01	PIASTRA GIREVOLE FORD TRANSIT	
RAW MATERIAL	QTY	NOTE
OP SEQ	DESCRIPTION	NOTE
1	ASSEMBLAGGIO	
2		
3		
4		
NEXT		

SERIES SWIVEL PLATE FOR: FORD TRANSIT, FORD CUSTOM, FORD TOURNEO

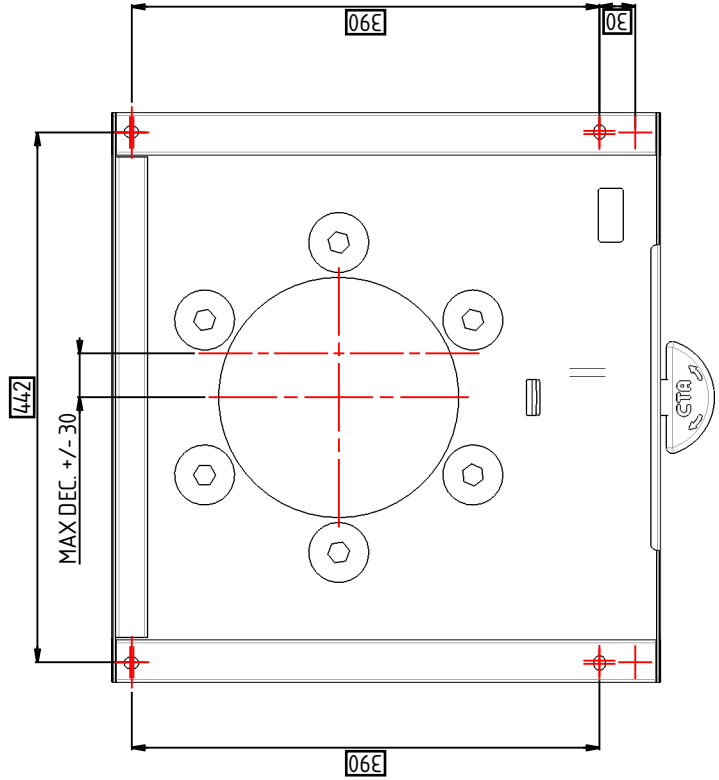
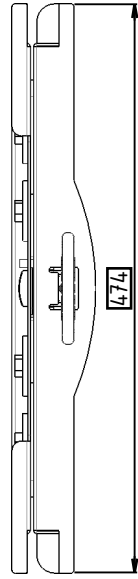
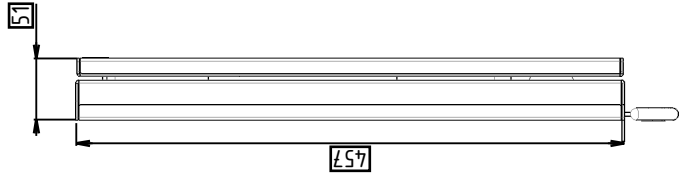
PN	DESCRIPTION	MASS
9PG0098000V01	PIASTRA GIREVOLE FORD TRANSIT	
RAW MATERIAL	QTY	NOTE
OP. SEQ.	DESCRIPTION	NOTE
1	ASSEMBLAGGIO	
2		
3		
4		
NEXT		

THE SWIVEL CAN BE MOUNTED SPECULAR REFERRET TO THE MIDDLE AXLE OF VEICHLA TO PASSENGER / DRIVER SEAT

THE SWIVEL PLATE 9PG0098000V01 DIFFERS FROM THE SWIVEL PLATE 9PG0090000V01 ONLY IN THE PRESENCE OF THE REAR REINFORCEMENT



SEAT LIMIT SWITCH BRACKET 9PG0098100V01_R1 TO BE USED ON FORD TRANSIT ONLY



SERIES SWIVEL PLATE FOR: FORD TRANSIT, FORD CUSTOM, FORD TOURNEO

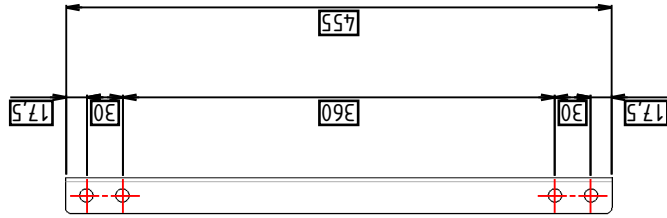
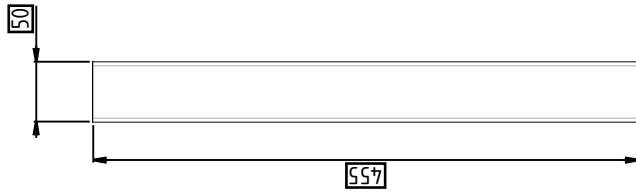
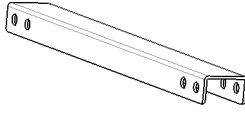
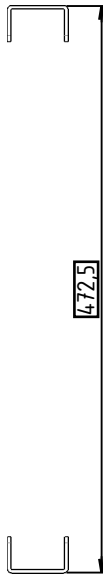
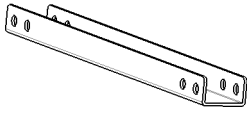
CATEGORY: SERIES OF P/N: FINAL PRODUCT: P/N: SURFACE TREATMENT: SERIES SWIVEL PLATE: 9PG0098000V01

SERIES SWIVEL PLATE 9PG0098000V01

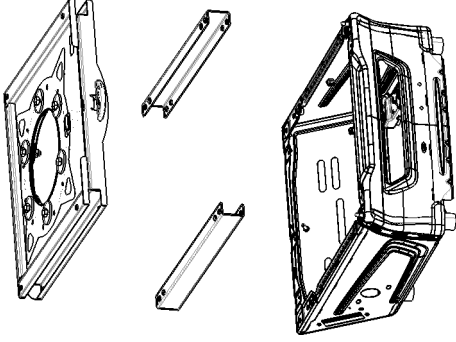
3	Inserito sistema selegger	S.R.	M.U.	13/07/2022
2	AGGIUNTA PIASTRAZZ/AGGIUNTA A DISTINTIVE VISTE DISERNO E MODELLO	M. LAUCCHIA	M. UBALDI	28/04/2022
REV	DESCRIPTION	DONE	VERIFIED	DATE
MASS	MATERIAL	SEE PARTICULAR	UNI EN 22766-1 TOLERANCE EXCEPT FROM WHERE INDICATED. LAKE.	9,5 kg
SUPERFICIAL CHEMICAL TREATMENT		PAINTING	NO ME FILE - REVISIONE	9PG0098000V01.R3
DRAWN		CHECKED	DATE	15/01/2022
DESIGNER		DATE	15/01/2022	
DESCRIPTION		SCALE	PAPER	1
P/N		FORMAT	AZ	
CAD DRAWING MANUAL CHANGES OR MODIFICATION NOT ADMITTED				

GTAS.F.I. - PROPERTY - NO REPRODUCTION - FIXED TERM LAW RIGHTS

PN	DESCRIPTION	MASS
9PG0098000V01	PIASTRA GIREVOLE FORD TRANSIT	
RAW MATERIAL	QTY	NOTE
OP. SEQ.	DESCRIPTION	NOTE
1	ASSEMBLAGGIO	
2		
3		
4		
NEXT		



A B C D

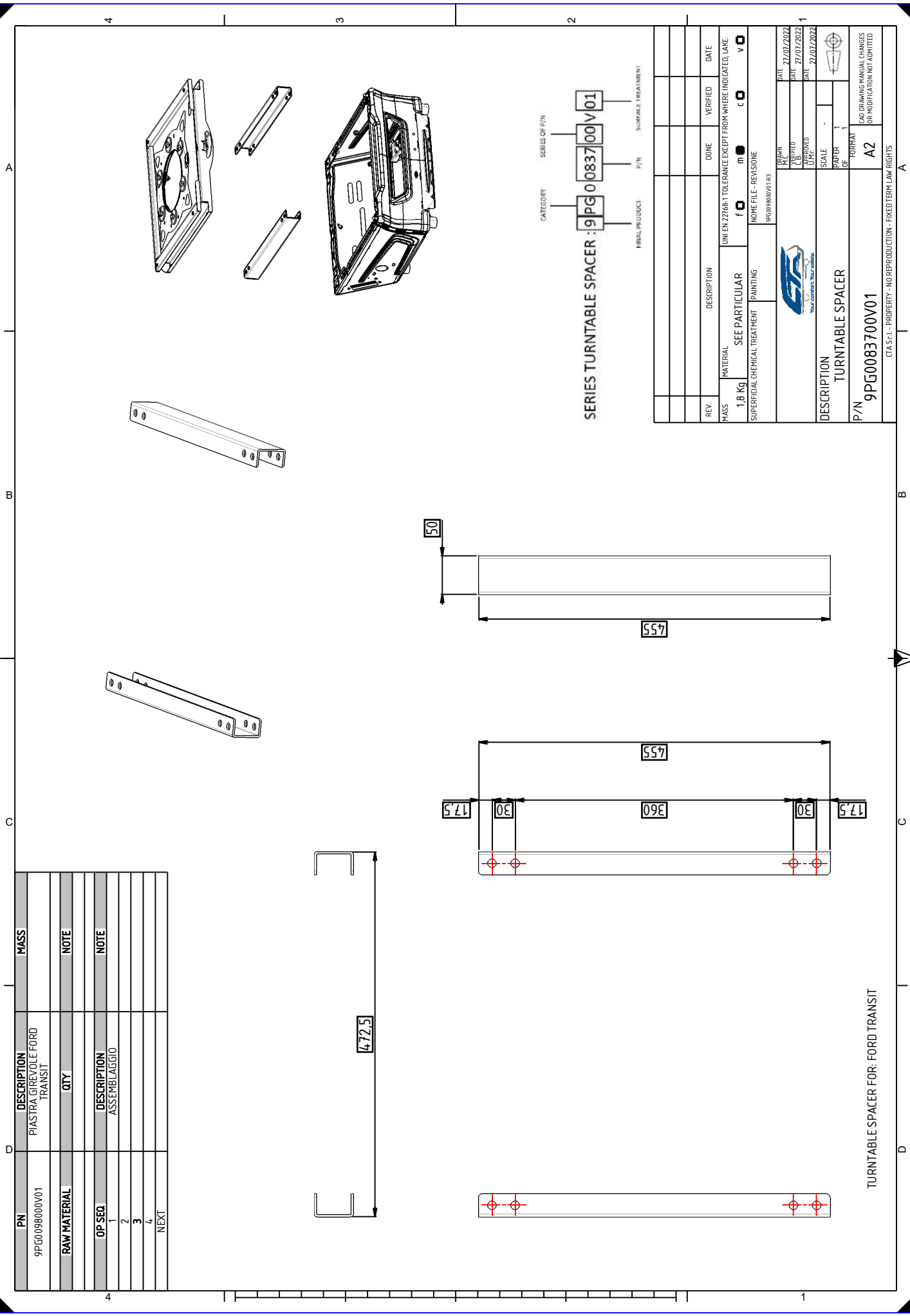


CATEGORY: **9PG0083700V01**
 SERIES OF P/N: **9PG0083700V01**
 FIBER PRODUCT: P/N SURFACE TREATMENT:

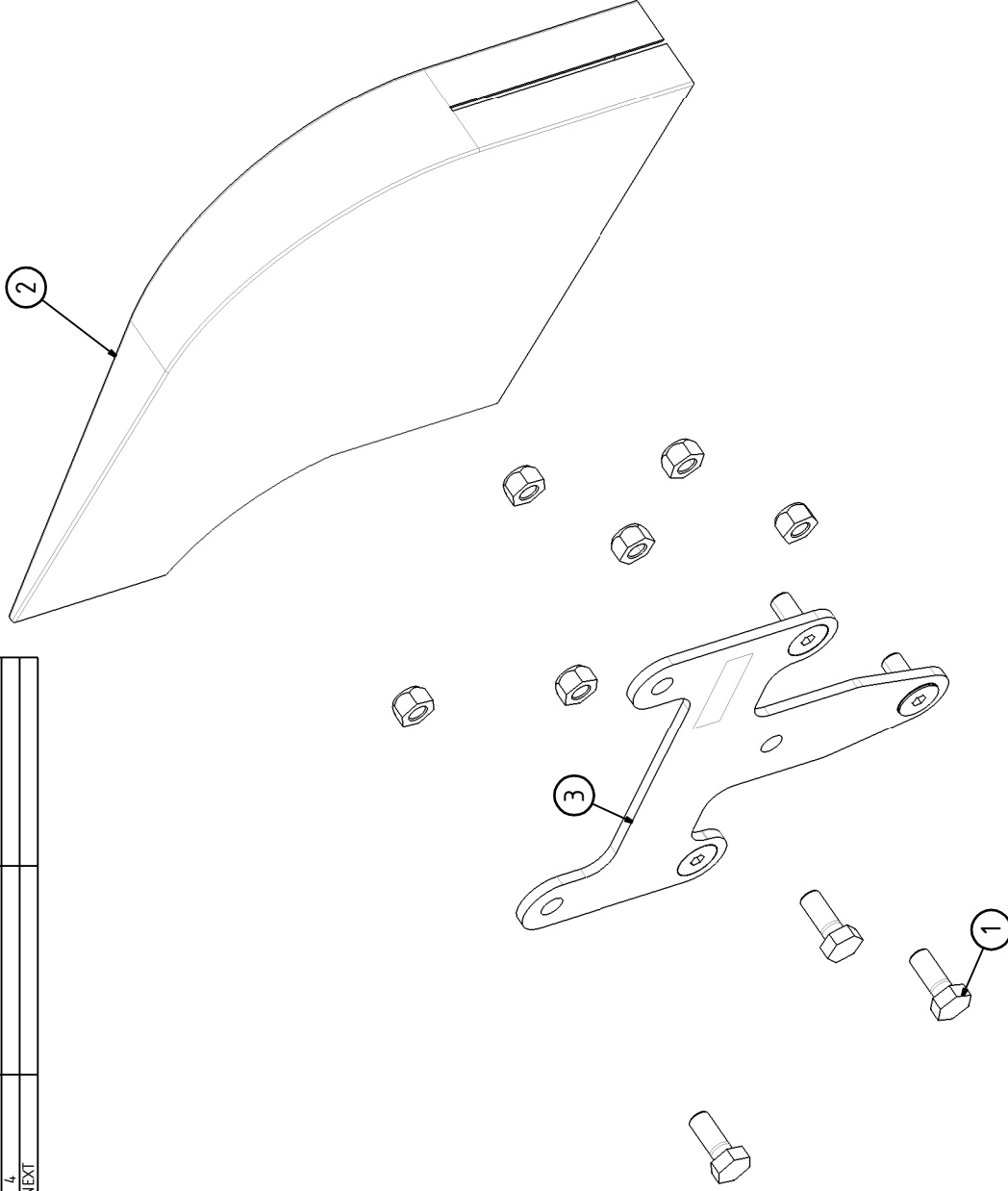
REV.	DESCRIPTION	DATE	VERIFIED	DATE
1.8 Kg	SEE PARTICULAR	UN EN 22766-1 TOLERANCE EXCEPT FROM WHERE INDICATED, LAKE.		
SUPERFICIAL CHEMICAL TREATMENT PAINTING		NOME FILE - REVISIONE		
f		9PG0098000V01.R3		
DRAWN DATE: 27/07/2022		DATE: 27/07/2022		
CHECKED DATE: 27/07/2022		DATE: 27/07/2022		
APPROVED DATE: 27/07/2022		DATE: 27/07/2022		
SCALE: 1		PAPER: 1		
DESCRIPTION: TURNABLE SPACER		FORMAT: A2		
P/N: 9PG0083700V01		CAD DRAWING MANUAL CHANGES OR MODIFICATION NOT ADMITTED		

TURNABLE SPACER FOR: FORD TRANSIT

GTAS.r.l. - PROPERTY - NO REPRODUCTION - FIXED TERM LAW RIGHTS



PN	DESCRIPTION	MASS
9PG0152600V01	KIT FRENO A MANO FORD CUSTOM	
RAW MATERIAL	QTY	NOTE
OP SEQ	DESCRIPTION	NOTE
1		
2		
3		
4		
NEXT		



SERIES HANDBRAKE KIT: 9PG0152600V01

CATEGORY: 9PG0152600V01
 SERIES OF P/N: 0152600V01
 FINAL PRODUCT: P/N
 SURFACE TREATMENT: 2

POS	PN	DESCRIPTION	QTY	PREVIEW
1	5KV0152600X00	kit viti di fissaggio - fixing screws kit	1	
2	2PG0152600P02	Copertura freno a mano - handbrake cover kit	1	
3	2PG0152600P01	Plastina freno a mano - handbrake plate	1	

REV	DESCRIPTION	DATE	VERIFIED	DATE

MASS	0,55 Kg
MATERIAL	UNI EN 22768-1 TOLERANCE EXCEPT FROM WHERE INDICATED. LAME.
SUPERFICIAL CHEMICAL TREATMENT	PAINTING
NO ME FILE - REVISIONE	9PG0152600V01

BROWN	DATE	03/08/2022
SILVER	DATE	03/08/2022
BLACK	DATE	03/08/2022
UNPAINTED	DATE	03/08/2022
SCALE	1	
PAPER	1	
FORMAT	AZ	

DESCRIPTION	KIT FRENO A MANO FORD CUSTOM
P/N	9PG0152600V01
CAD DRAWING MANUAL CHANGES OR MODIFICATION NOT ADMITTED	